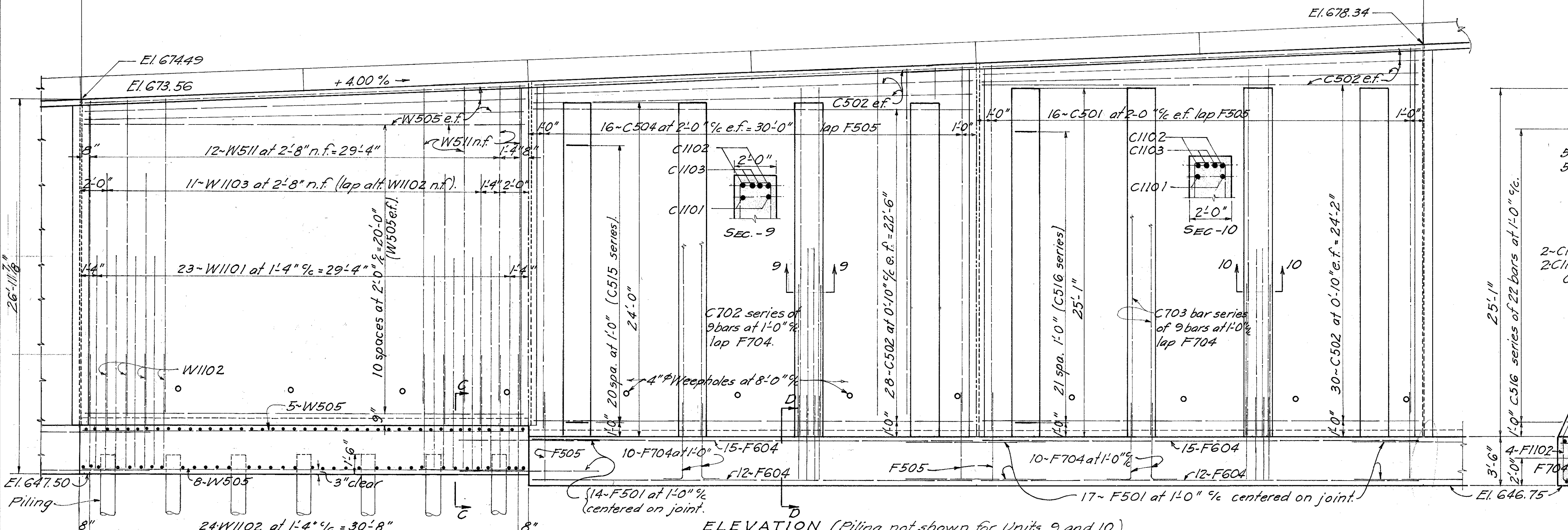
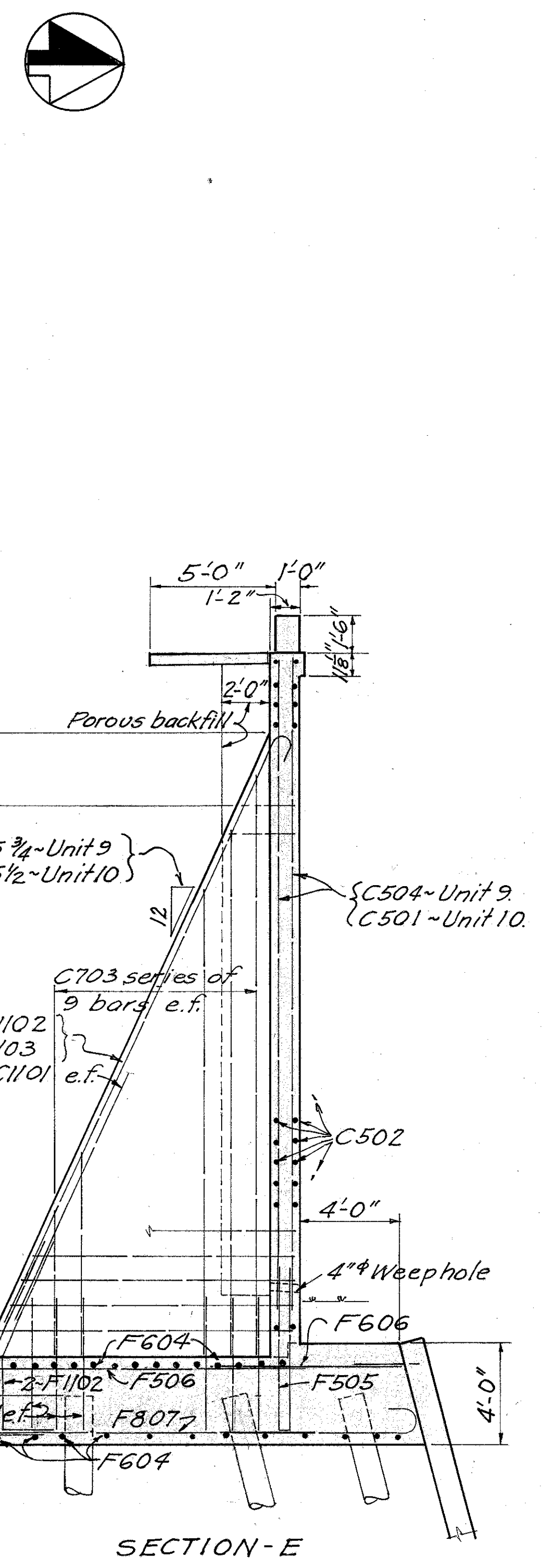


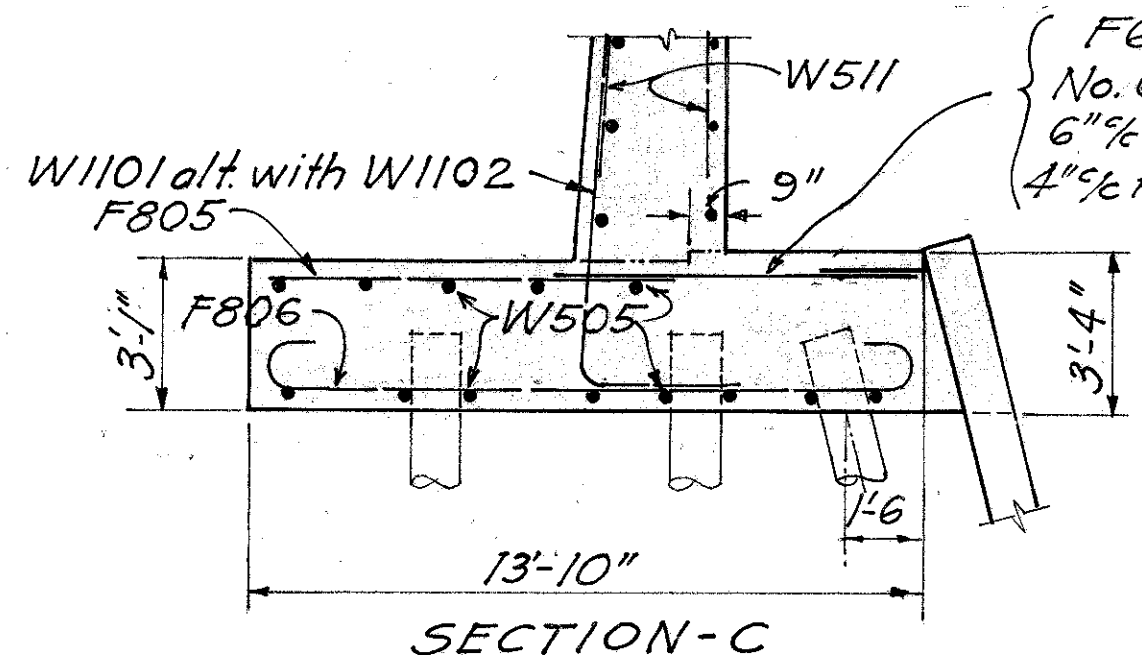
PLAN



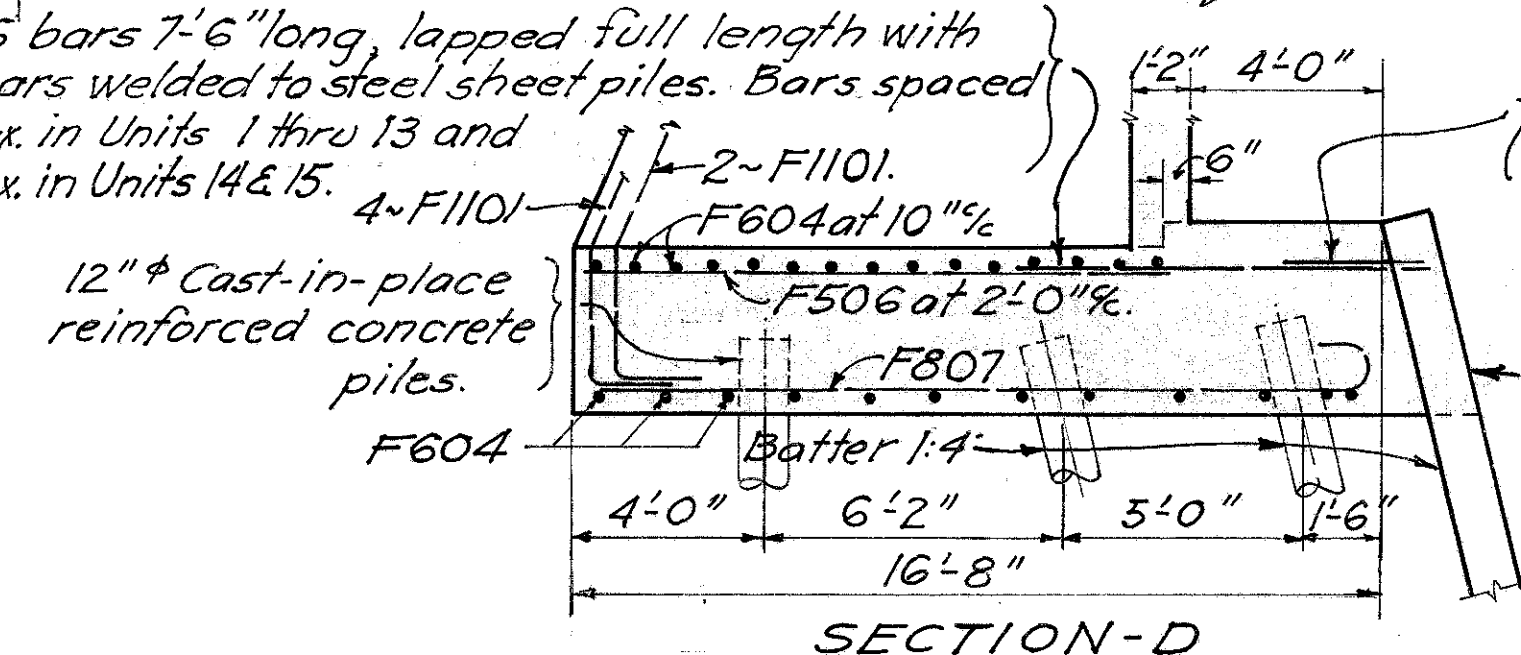
ELEVATION (Piling not shown for Units 9 and 10).



SECTION-E



SECTION-C



SECTION-D

No. 6 bars 2'-0" long at 6" max. in Units 1 thru 13; and at 4" max. in Units 14 and 15, welded with full strength weld to sheet piling (included with sheet piling for payment).

Steel sheet piling, minimum section modulus of 30.2 in<sup>3</sup> per ft. width; 6'-6" long in Units 1, 2 and 3; 8'-6" long in Units 4, 5, 6, 7 and 8; 11'-6" long in Units 9 through 15.

LEGEND:  
e.f. = each face.  
n.f. = near face.  
f.f. = far face.

**BURGESS & NIPLE LIMITED — CONSULTING ENGINEERS**  
COLUMBUS, OHIO

RETAINING WALL "B"  
UNITS 8, 9 AND 10

DESIGNED: [Signature] DRAWN: A.E.D. TRACED: A.E.D. CHECKED: [Signature] REVIEWED DATE: WBR 11-19-68

STA. 42+60.00  
STA. 47+02.79

5/8