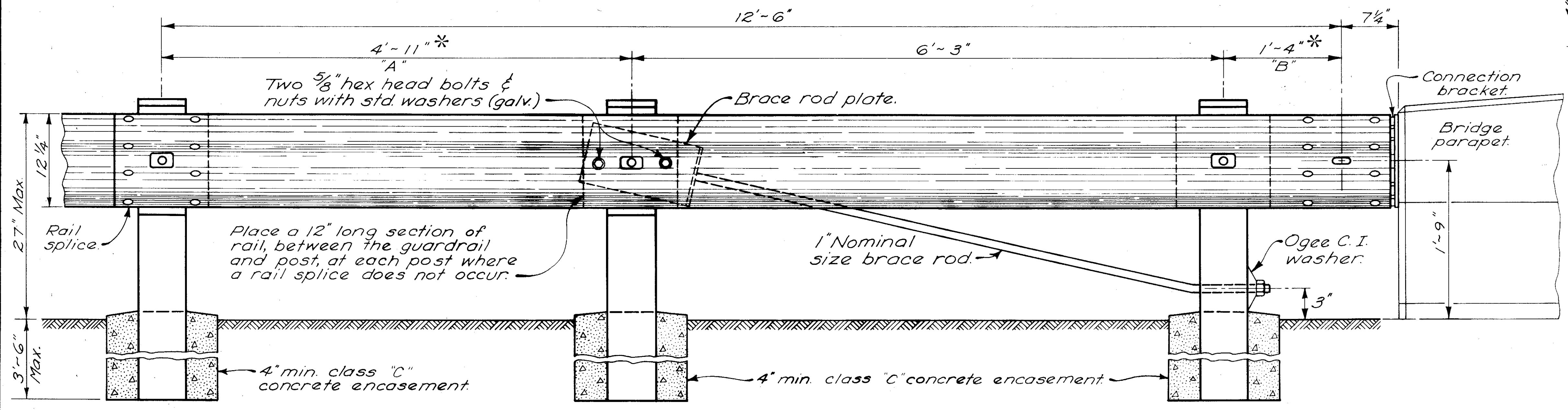
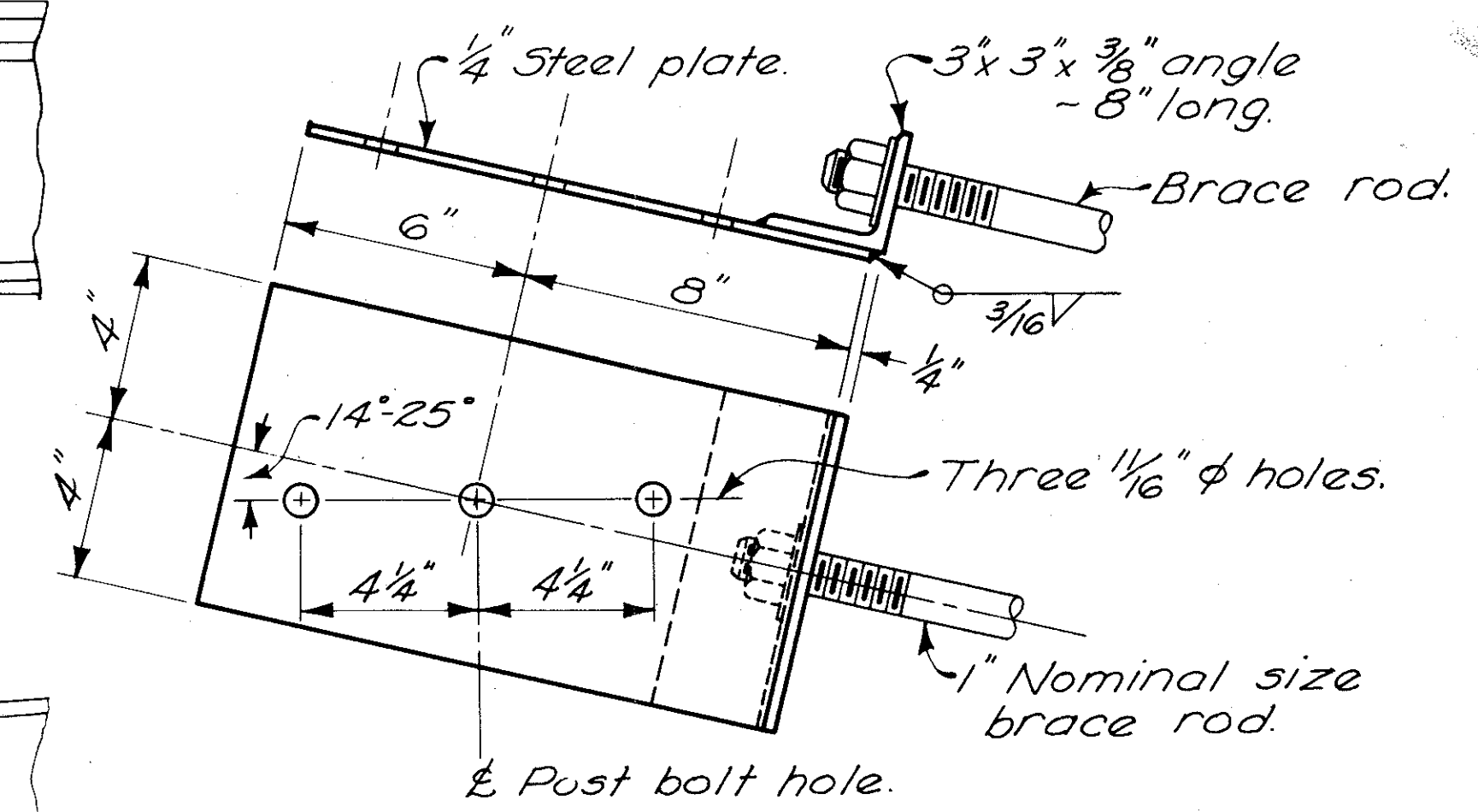
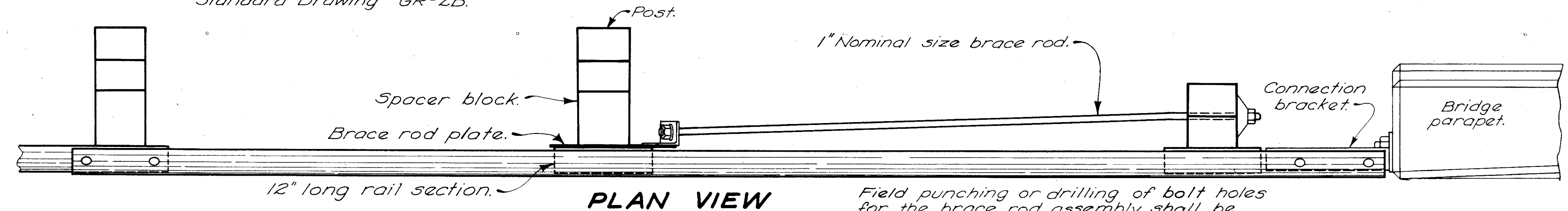


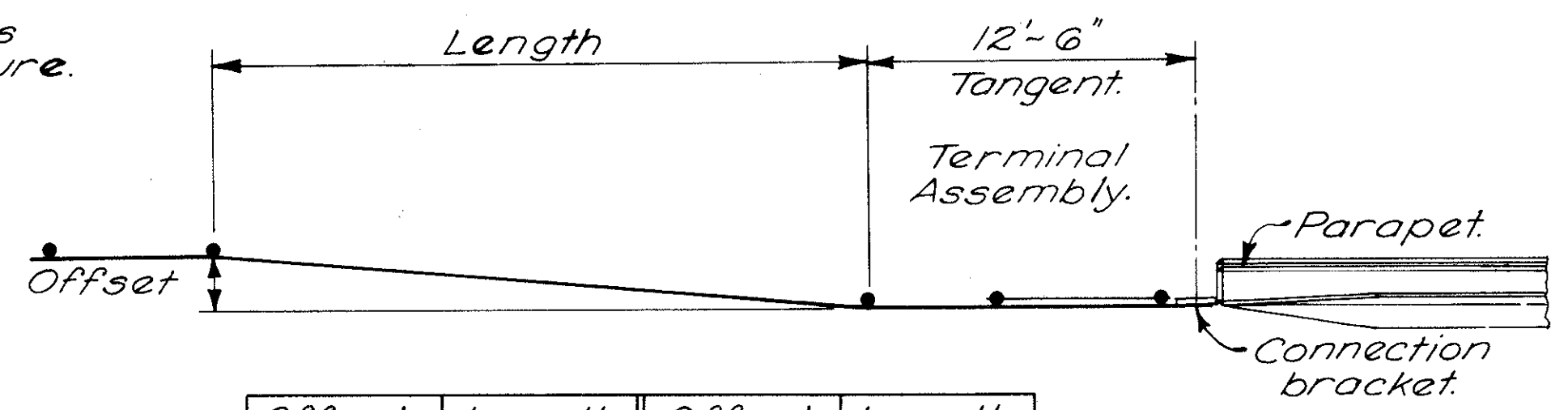
LAK-615-3.26

Posts may be round or square-sawed wood, or W6x8.5 steel. See Standard Drawing GR-2B.



**ELEVATION**  
**GUARDRAIL TERMINAL AT BRIDGE**

\* Dimension "A" shall decrease as dimension "B" increases to accommodate interference by the bridge substructure.



Offset	Length	Offset	Length
1'-0"	25.00'	5'-0"	100.00'
2'-0"	50.00'	6'-0"	100.00'
4'-0"	100.00'	7'-0"	100.00'

**GUARDRAIL OFFSET DETAIL**

**NOTES**

BRIDGE TERMINAL ASSEMBLY, AS PER PLAN  
The price bid for bridge terminal assembly, as per plan shall include the additional cost, in excess of normal guardrail cost, for concrete encasement, brace rod, brace rod plate and all component parts as detailed.  
The connection bracket and anchor bolts are included with the bridge railing for payment. See Std. Dwg. BR-2-67 for connection bracket details.