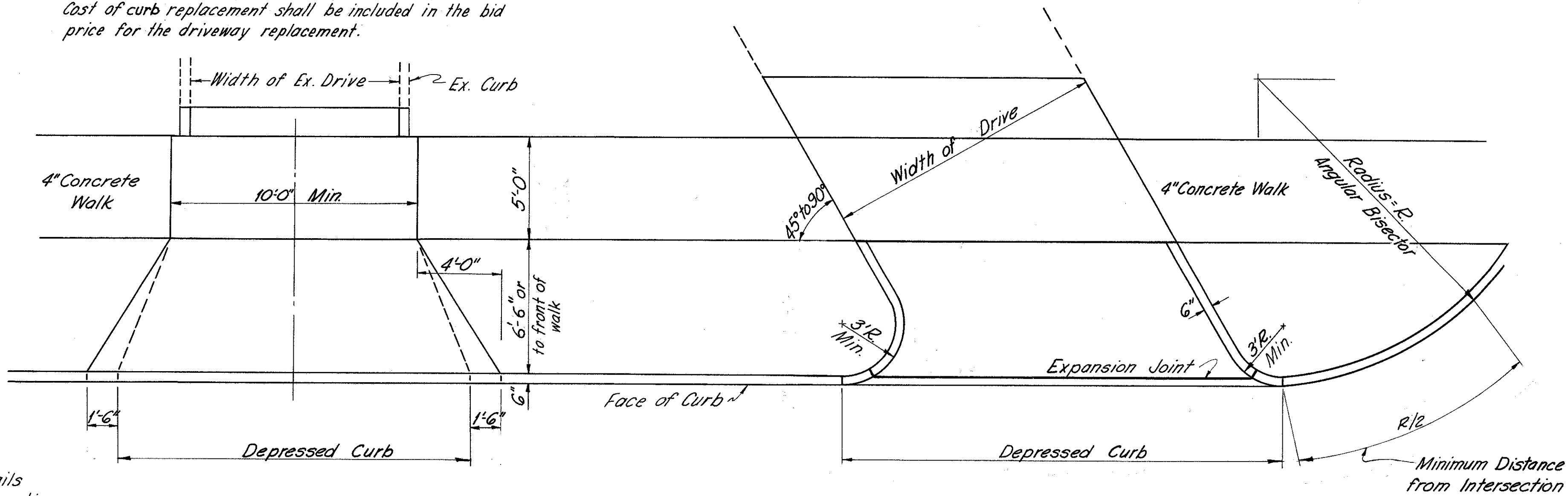
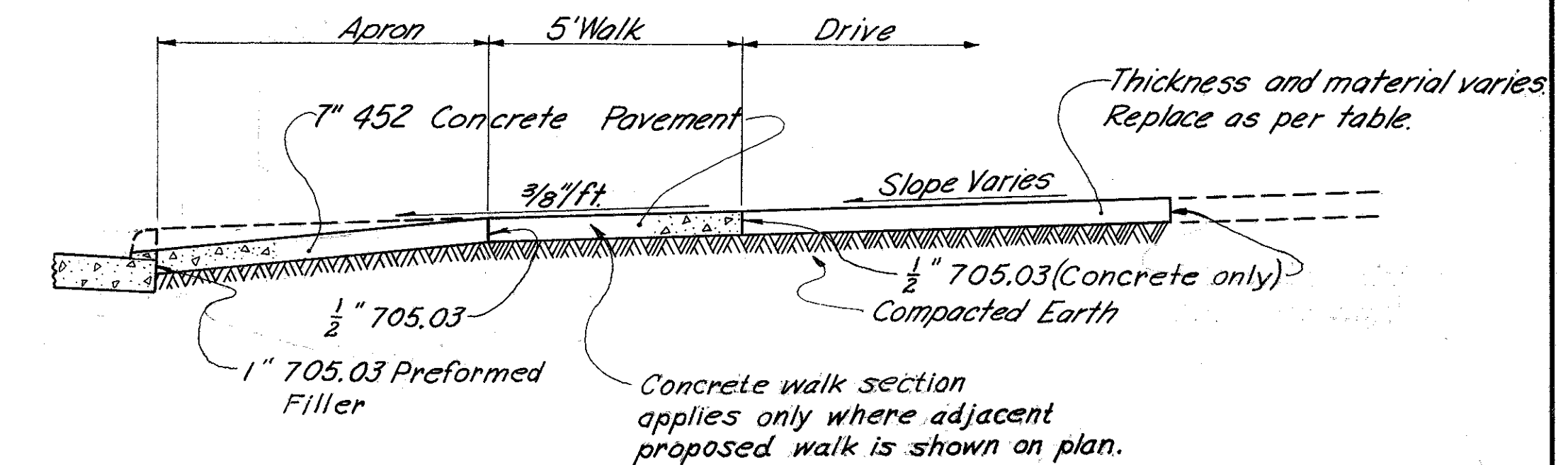


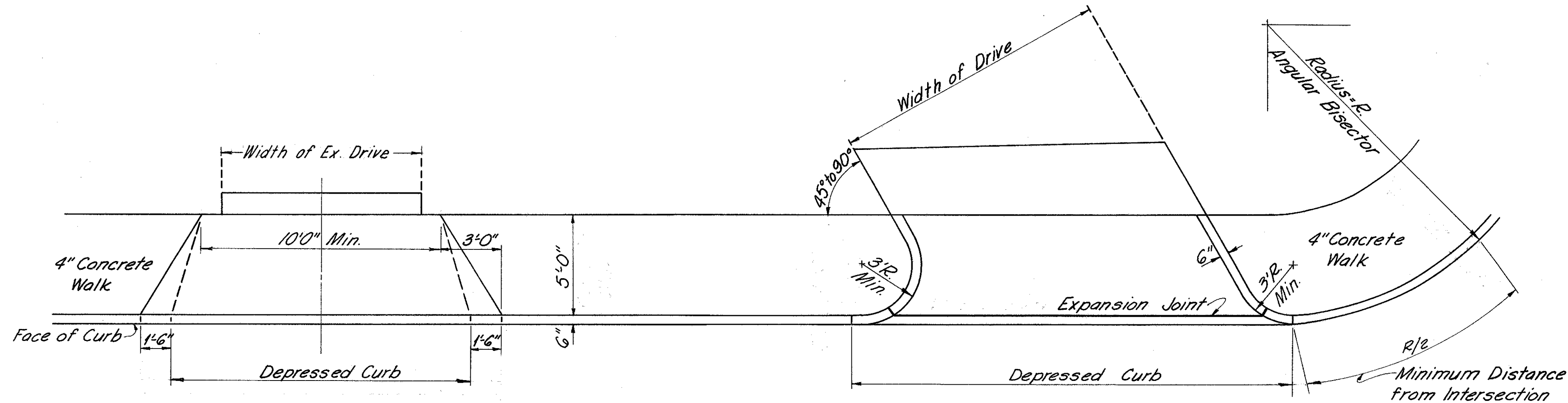
Existing driveway curbs shall be replaced in like kind. Cost of curb replacement shall be included in the bid price for the driveway replacement.



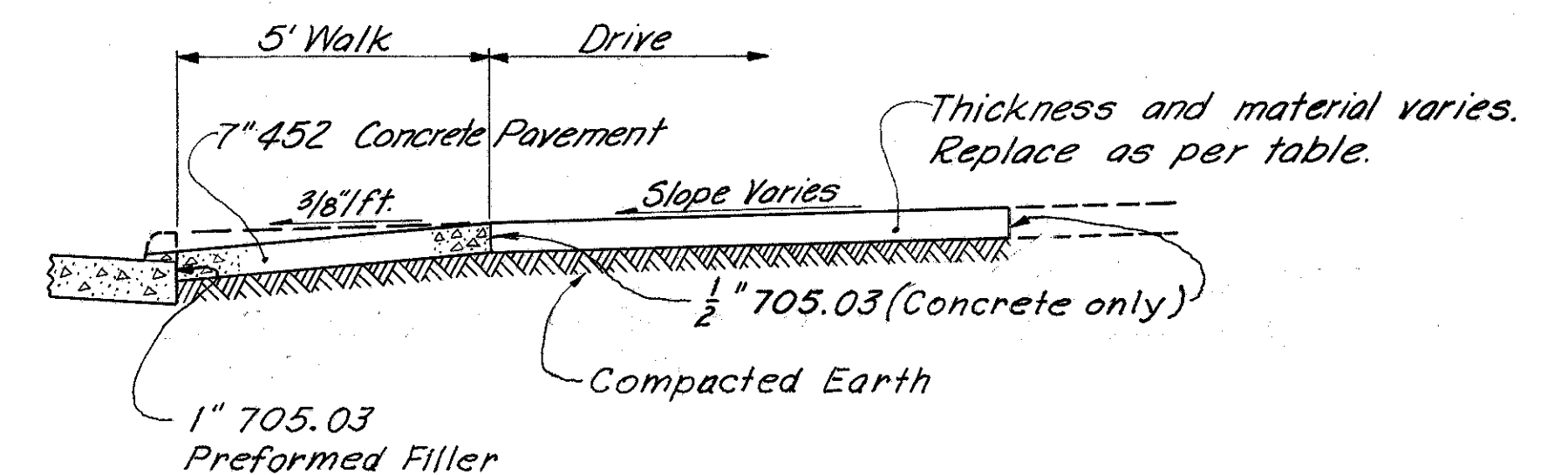
DRIVEWAY DETAILS FOR CURBED STREETS  
(WALK BACK FROM CURB OR NO WALK)



See Drop Curb Details on Standard Construction Drawing B.P-6.



DRIVEWAY DETAILS FOR CURBED STREETS  
(WALK AT CURB)

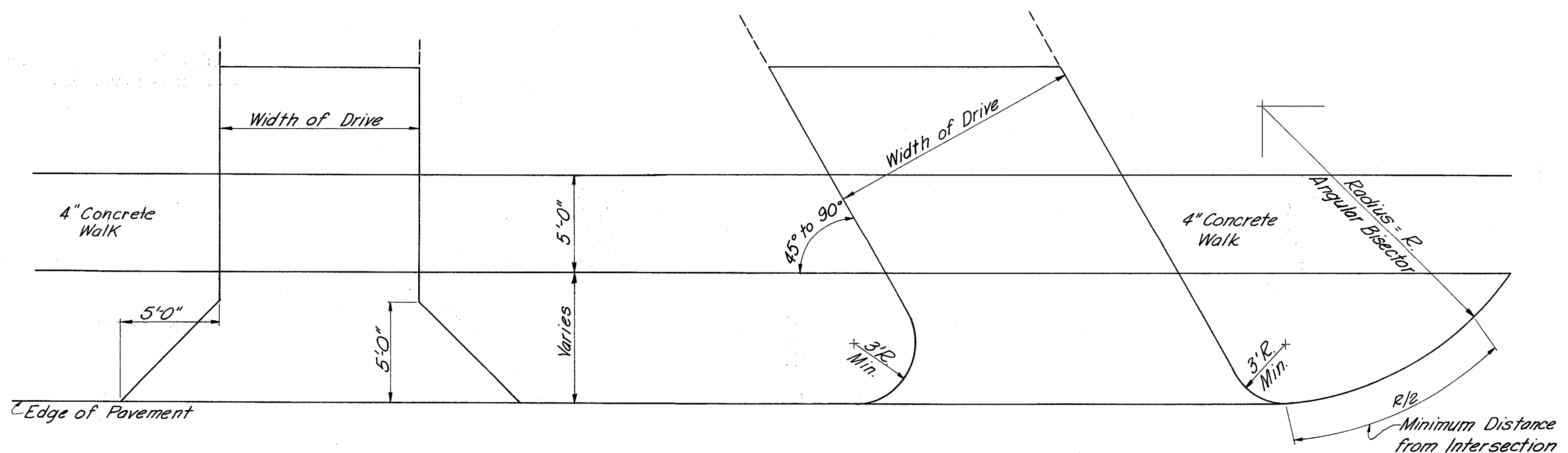


If only a portion of the roadway pavement abutting a driveway is curbed, then the driveway shall be considered to abut an uncurbed street.

See Pavement Detail Sheets for driveway quantities.

TYPE DRIVEWAY	REPLACEMENT MATERIAL	
	RESIDENTIAL	COMMERCIAL
Concrete	7" 452	7" 452
Asphalt	2" 404* 5" 304	2" 404* 7" 304
Stone	8" 304	9" 304

\*Replace in two 1" layers



DRIVEWAY DETAILS FOR UNCURBED STREETS

