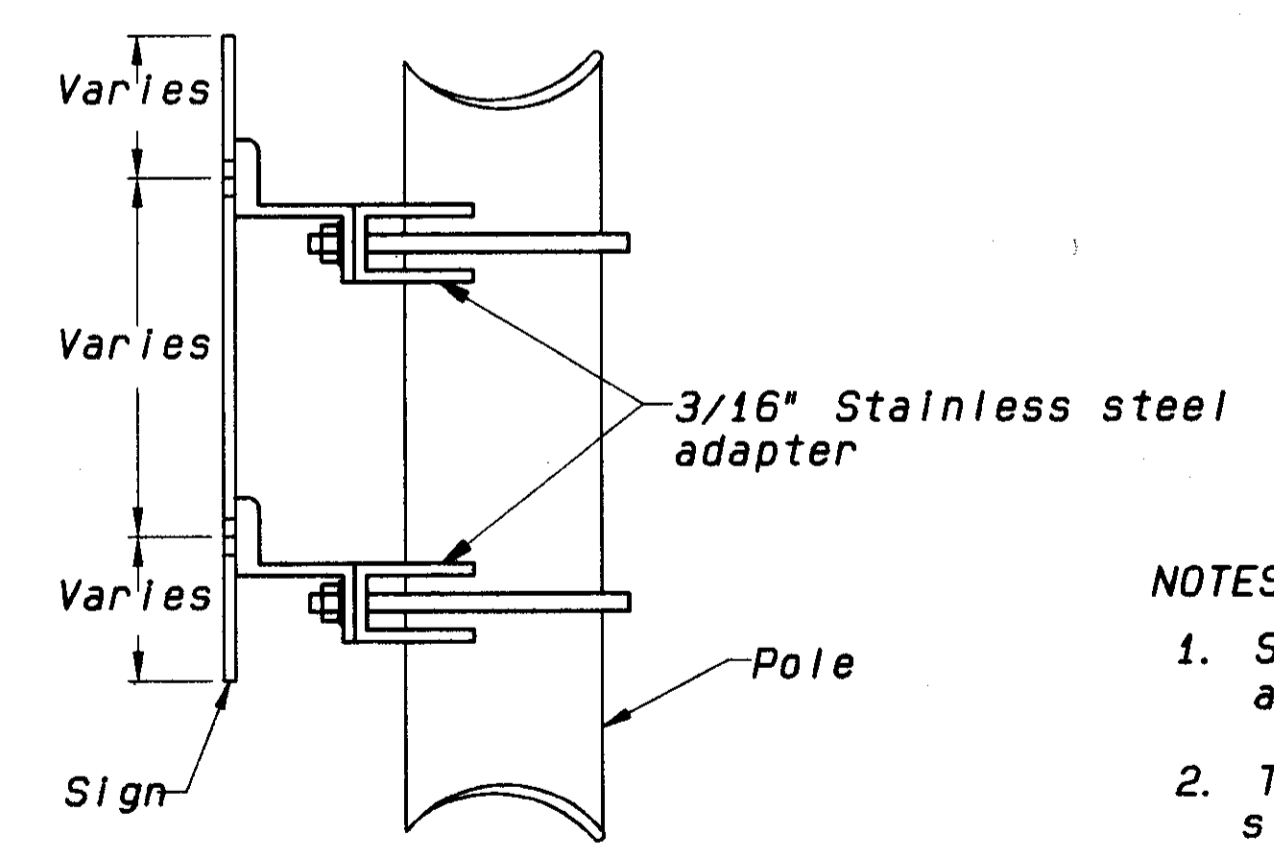
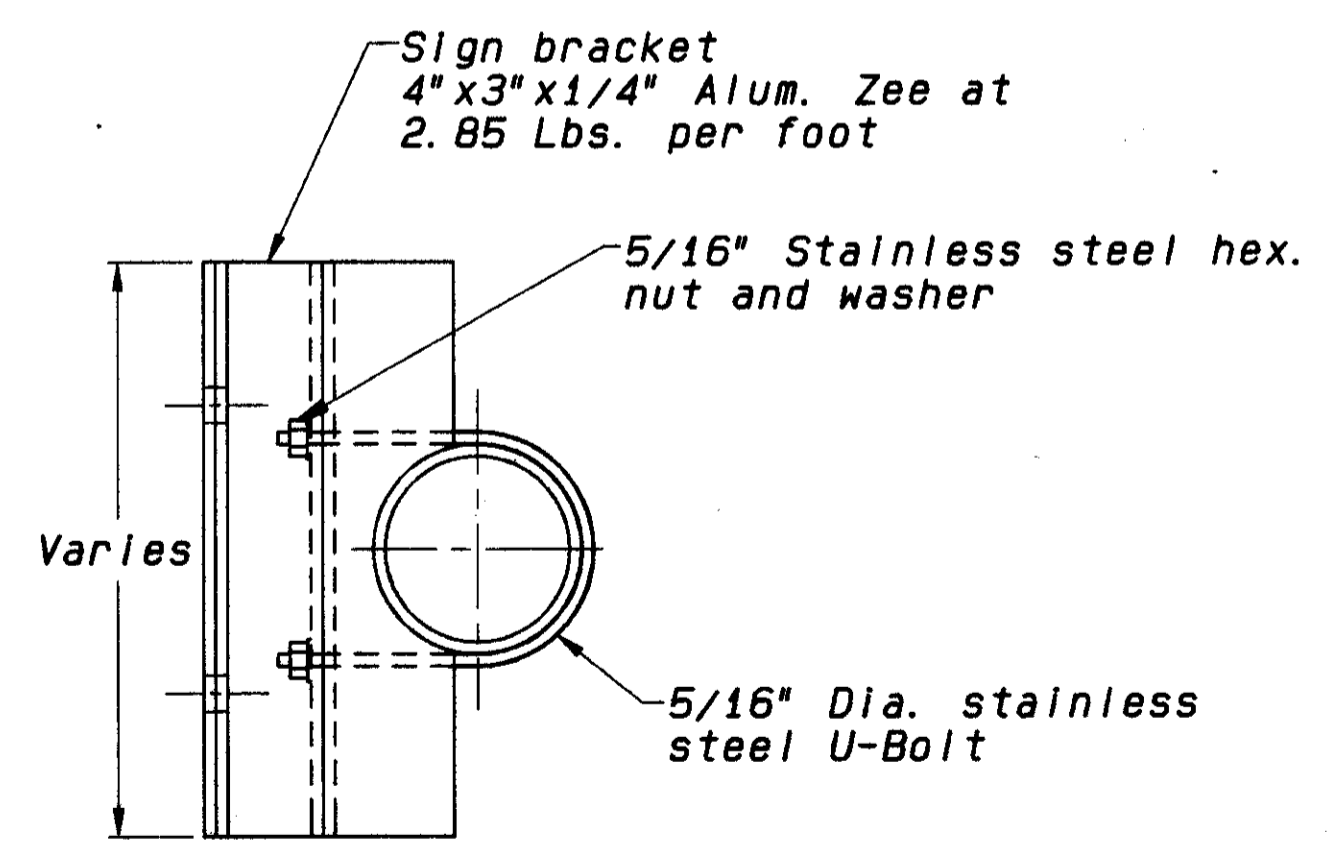
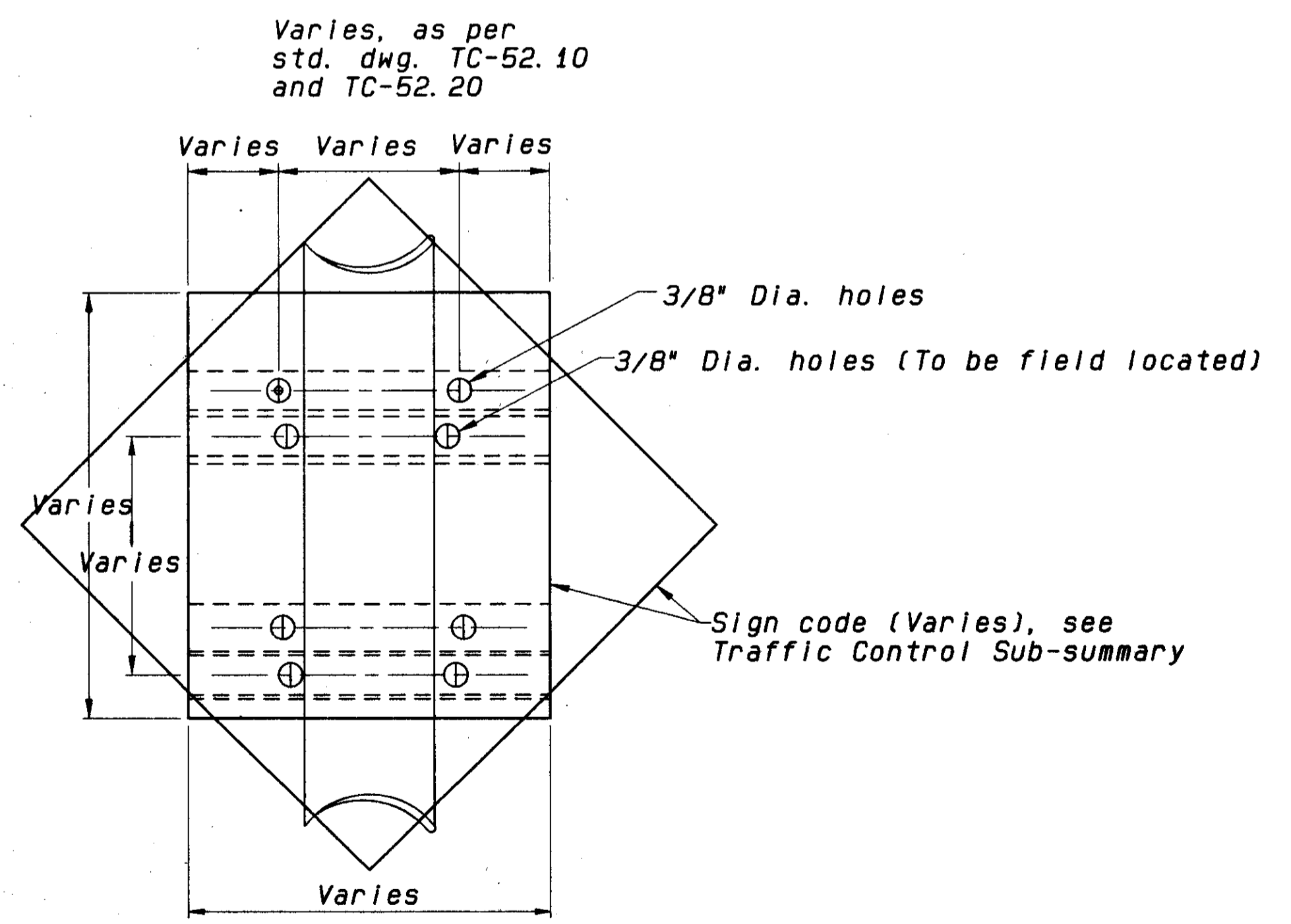


SIGNING SUB-SUMMARY

SIGNING SUB-SUMMARY	
SHEET	LOCATION
167	STA. 6+67, 16' LT. TO STA. 14+47, 30' RT.
168	STA. 15+10, 12' LT. TO STA. 35+23, 33' LT.
TOTALS	

625	625	625		630	630	630	630	630	630	630	630	630	630	630	630	630	630	631	631	631		632	632	632
GROUND ROD	CONDUIT 2" 713.04	TRENCH		RIGID OVERHEAD SIGN SUPPORT FOUNDATION	GROUND MOUNTED SUPPORT *3 POST	SIGNS, FLAT SHEET	SIGNS, FLAT SHEET, TYPE G	STREET NAME SIGN SUPPORT	SIGN SUPPORT ASSEMBLY, POLE MOUNTED, A.P.P.	SIGN, DOUBLE FACED, STREET NAME	SIGN HANGER ASSEMBLY, MAST ARM, AS PER PLAN	OVERHEAD SIGN SUPPORT TYPE TC-16, 20, DESIGN 4 38' ARM	OVERHEAD SIGN SUPPORT TYPE TC-16, 20, DESIGN 6 26' ARM	REMOVAL OF GROUND MOUNTED SIGN AND STORAGE	REMOVAL OF GROUND MOUNTED POST SUPPORT AND STORAGE	REMOVAL OF POLE MOUNTED SIGN AND STORAGE		SCHOOL SPEED LIMIT SIGN ASSEMBLY 36" x 48"	TIMER W/ ENCLOSURE	REMOVAL MISC. SCHOOL SPEED LIMIT SIGN ASSEMBLY INSTALLATION		SIGNAL CABLE, 5 CONDUCTOR, NO. 14 AWG	POWER CABLE, 2 CONDUCTOR, NO. 6 AWG	CONDUIT RISER 2" DIAMETER
EACH	L. F.	L. F.		EACH	L. F.	S. F.	S. F.	EACH	EACH	EACH	EACH	EACH	EACH	EACH	EACH	EACH		EACH	EACH	EACH		L. F.	L. F.	EACH
0	0	0		0	273.5	119.0	33.25	0	4	0	4	0	0	13	12	12		0	0	0		0	0	0
2	8	8		2	216	58.75	47.5	5	0	5	0	1	1	14	13	6		1	1	1		56	50	1
2	8	8		2	489.5	177.75	80.75	5	4	5	4	1	1	27	25	18		1	1	1		56	50	1

ALL QUANTITIES HAVE BEEN CARRIED TO THE TRAFFIC CONTROL GENERAL SUMMARY SHEET No. 154 & 155



- NOTES:**
1. Sign should be mounted 7' above pavement surface.
 2. The pole diameter at sign location should be approximately 8.5"
 3. For details not shown, see std. const. dwg TC-22.20
 4. Where sign attaches to zee bar, bolt hole locations shall be in accordance with standard construction drawing TC-52.10 and TC-52.20
 5. Multiple flat sheet installations shall use a Sign Backing Assembly attached to zee bar.

ITEM 630 - SIGN SUPPORT ASSEMBLY, POLE MOUNTED, AS PER PLAN