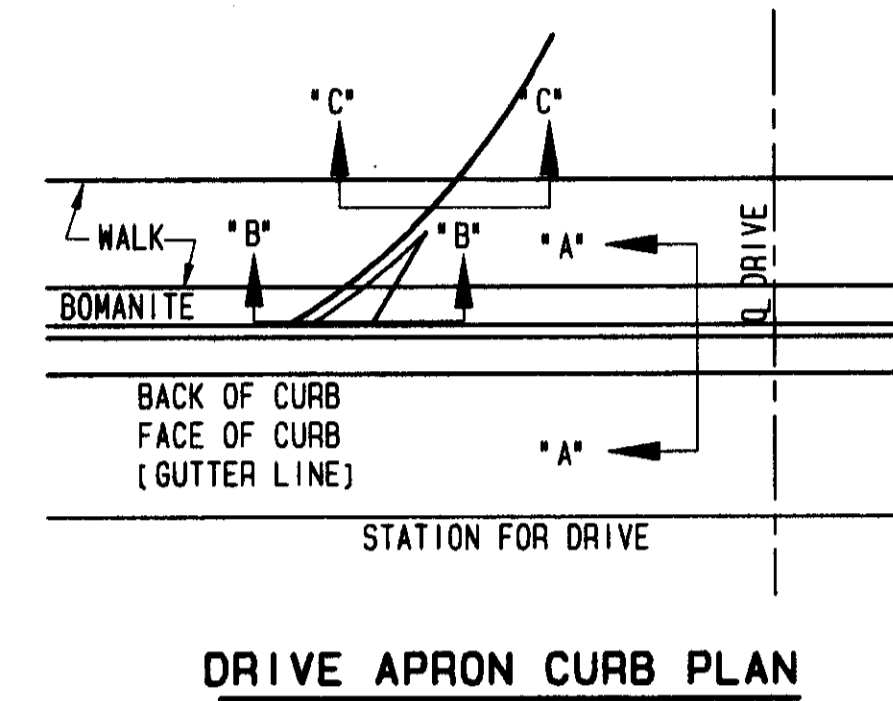
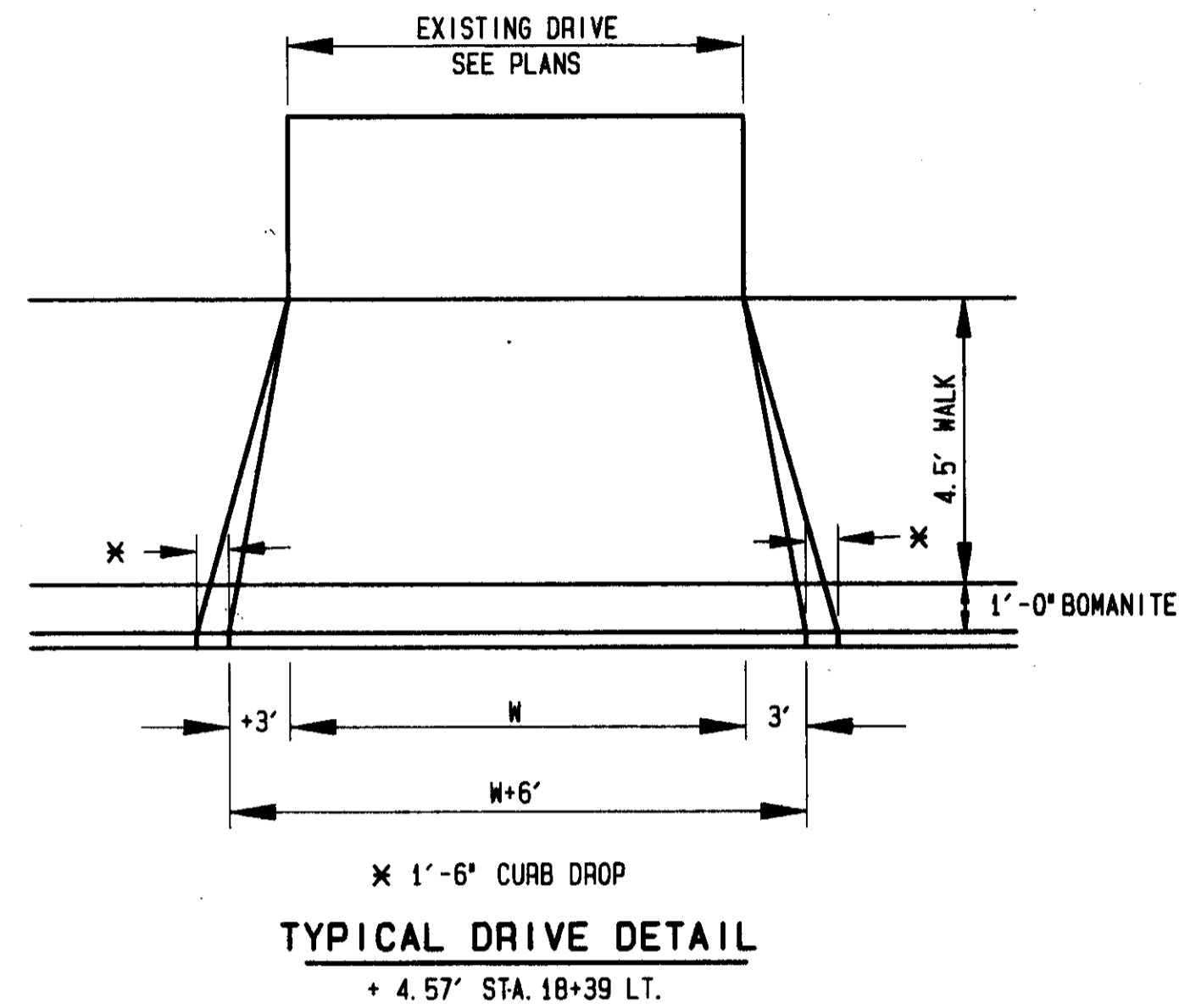
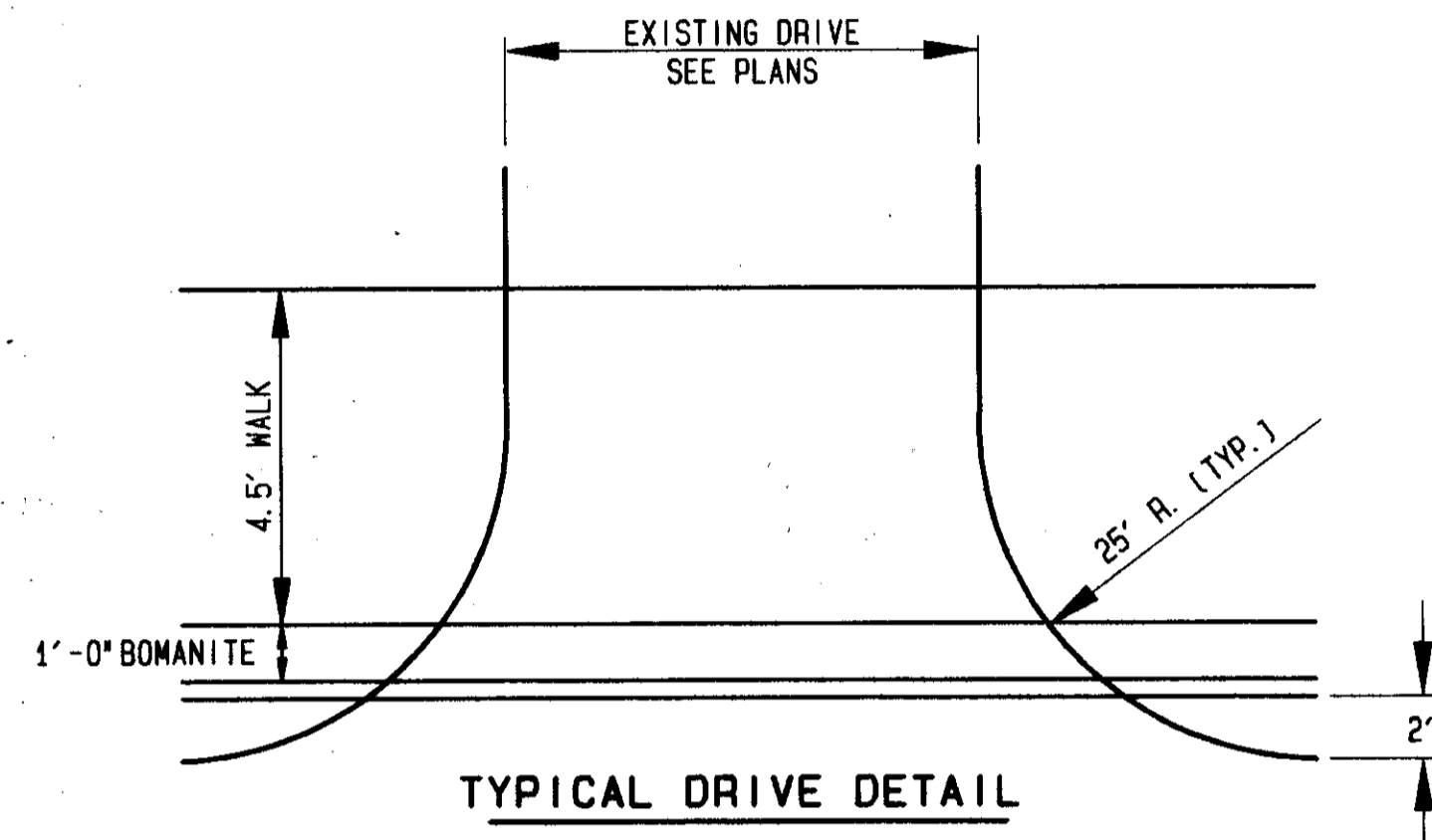


DRIVEWAY DETAILS



DRIVE APRON CURB SECTION FOR CONCRETE DRIVES WITH BARRIER CURB IS TO BE PLACED AS DIRECTED BY THE ENGINEER.

FORM DRIVE APRON CURB (SECTION "B"--"B") BEHIND CURB LINE AND TAPER OUT UNIFORMLY TO NO CURB (SECTION "C"--"C").

THE COST OF ALL LABOR AND MATERIAL NECESSARY TO CONSTRUCT CURB SECTION AND THICKENED EDGE AS SHOWN, SHALL BE INCLUDED IN THE CONTRACT UNIT PRICE BID PER SQ. YD. FOR ITEM 452 PLAIN PORTLAND CEMENT CONCRETE FOR DRIVES.

CURB SHALL BE DROPPED TO PROVIDE A 1" GUTTER AT ALL DRIVEWAYS AND WHEREVER DIRECTED BY THE ENGINEER.

A SATISFACTORY TRANSITION FROM THE NORMAL CURB HEIGHT TO A 1" HEIGHT SHALL BE INCLUDED IN THE CONTRACT UNIT PRICE BID FOR THE PERTINENT CURB SPECIFIED.

WHERE DRIVE ABUTS NEW OR EXISTING CONCRETE SIDEWALKS AND NEW OR EXISTING CONCRETE CURBS, 1/2" EXPANSION JOINT MATERIAL 705.03 SHALL BE PROVIDED.

CONCRETE DRIVES AND APRONS TO HAVE IMPRESSED JOINT ALONG Q OF DRIVE, ADDITIONAL IMPRESSED JOINTS SHALL BE SPACED AT 8 FT. CENTERS OR AS DIRECTED BY THE ENGINEER.

THE EXPANSION JOINT BETWEEN THE BACK OF CURB AND DRIVE APRON SHALL BE SEALED WITH 705.01, 705.02 OR 705.11 JOINT SEALER.

