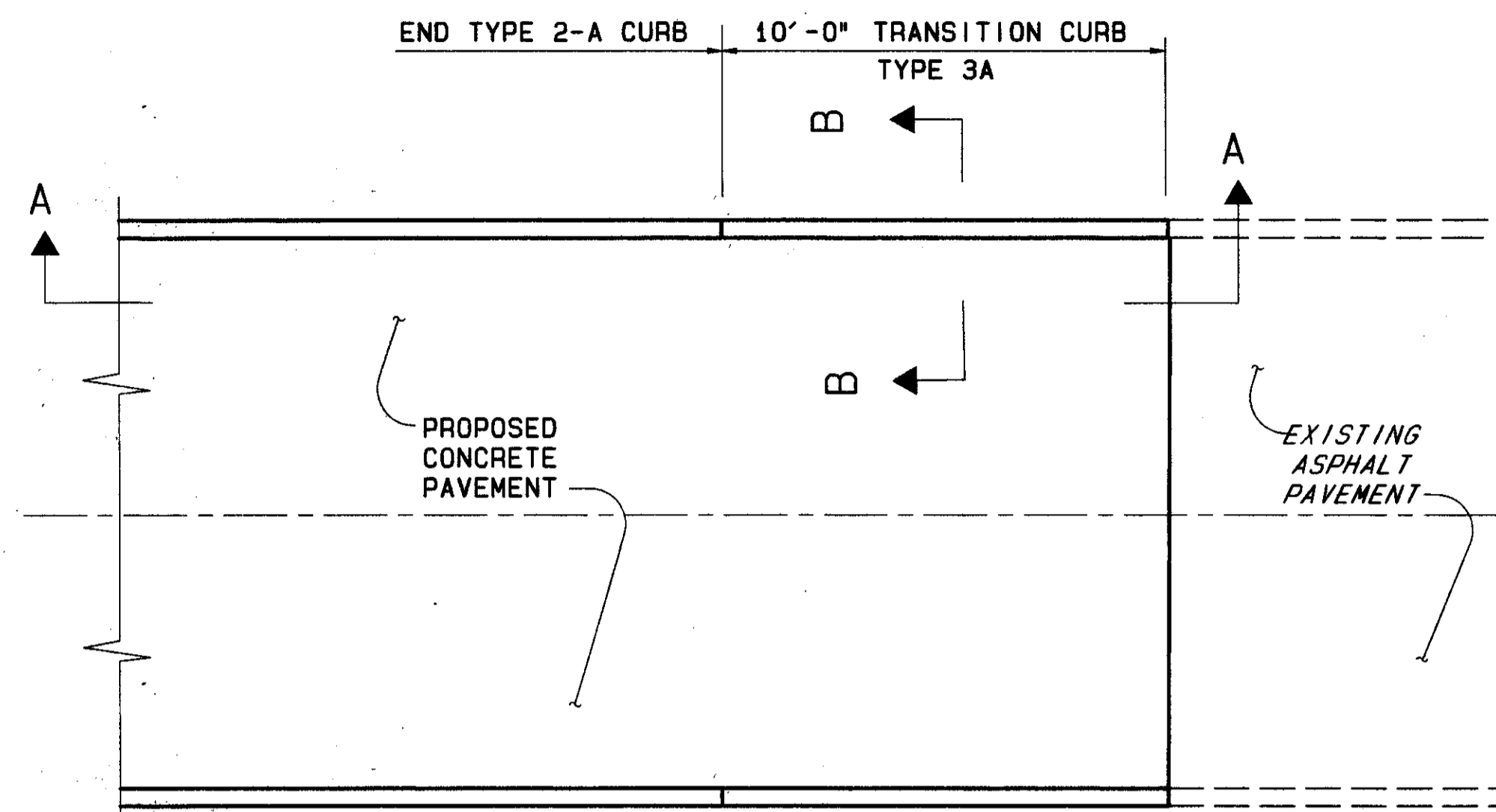
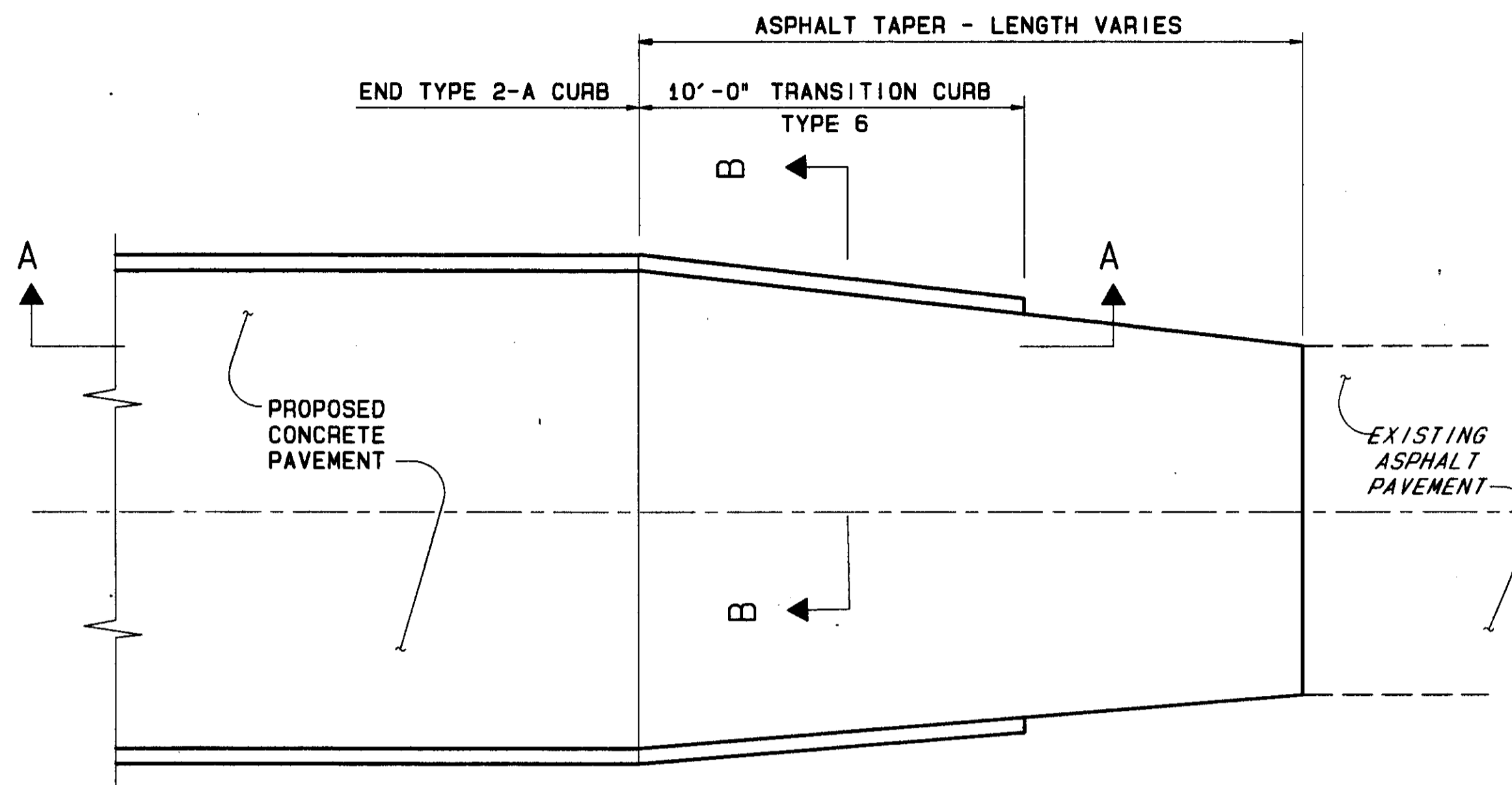


ROADWAY DETAILS

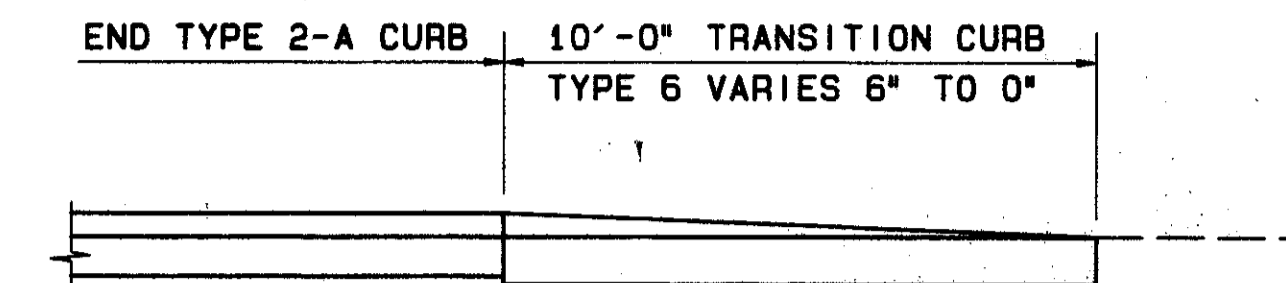
NO SCALE



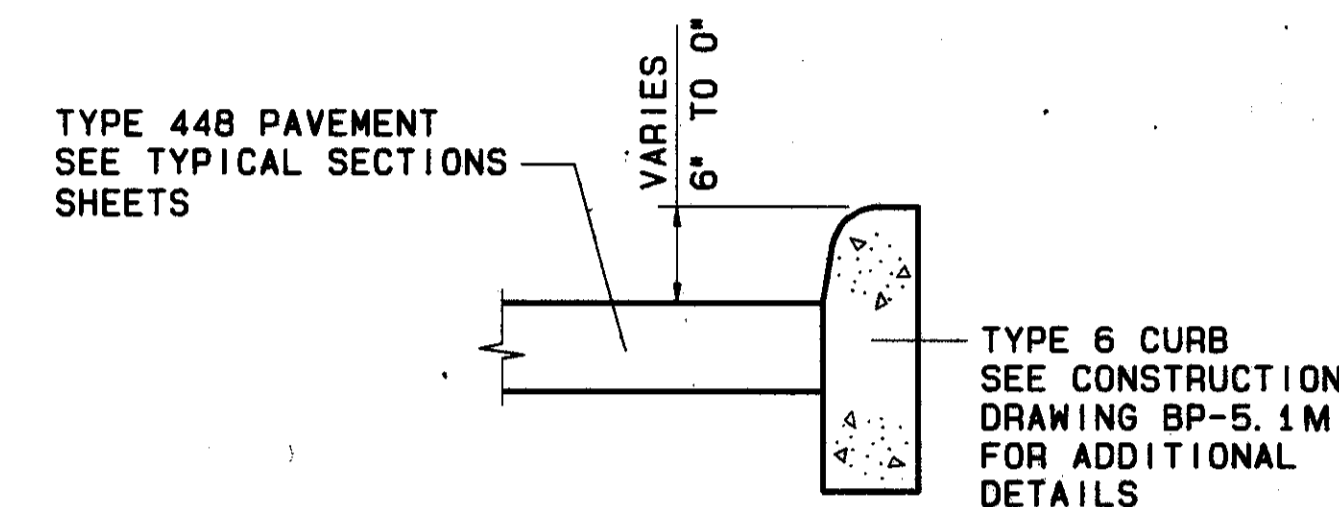
PLAN VIEW



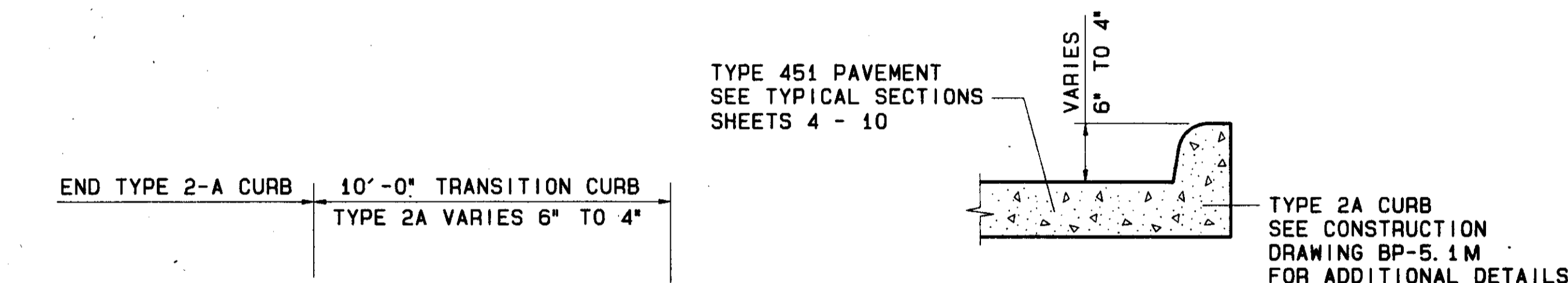
PLAN VIEW



SECTION A-A



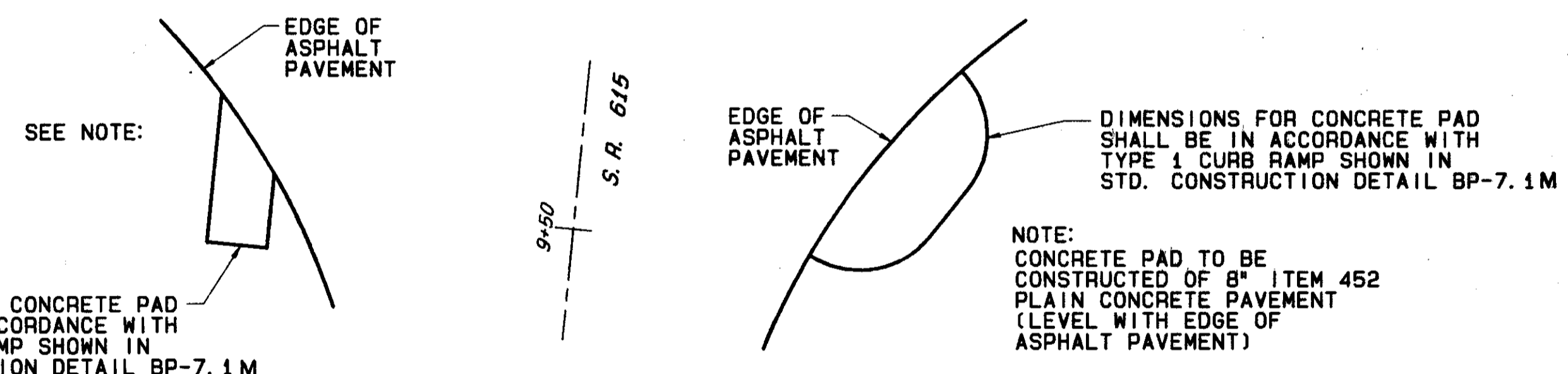
SECTION B-B



SECTION A-A

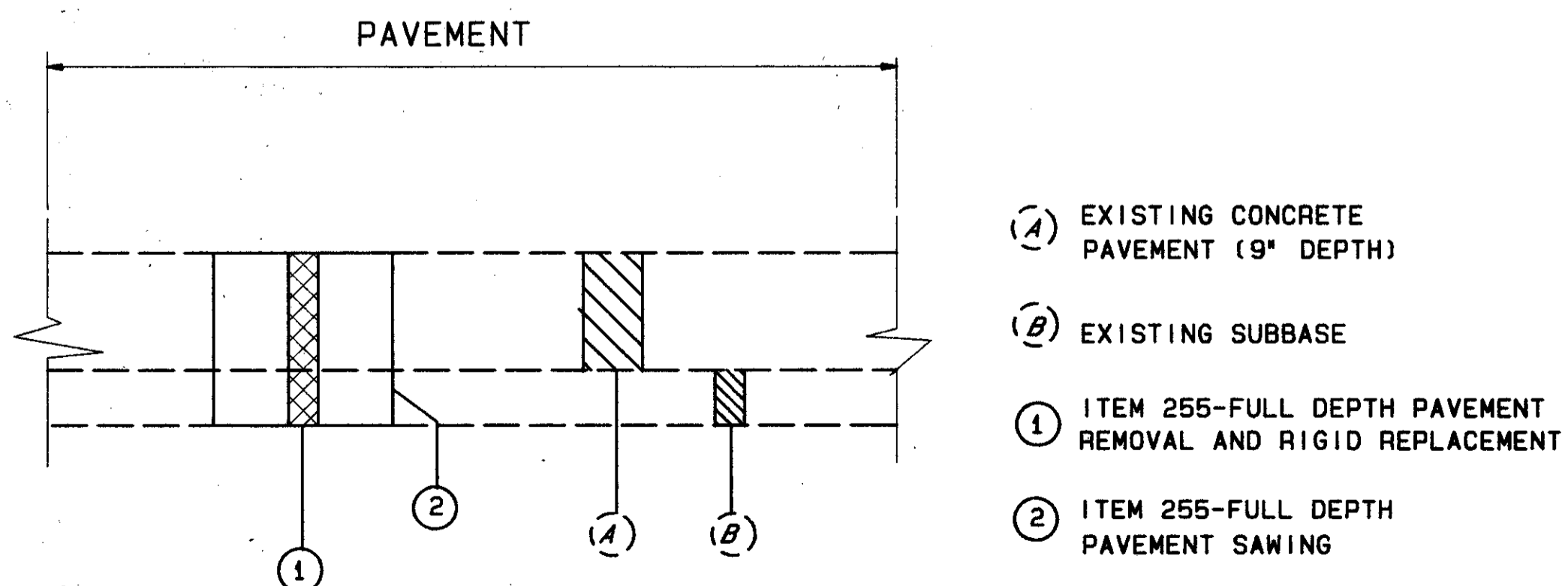
SECTION B-B

CURB TRANSITION DETAIL



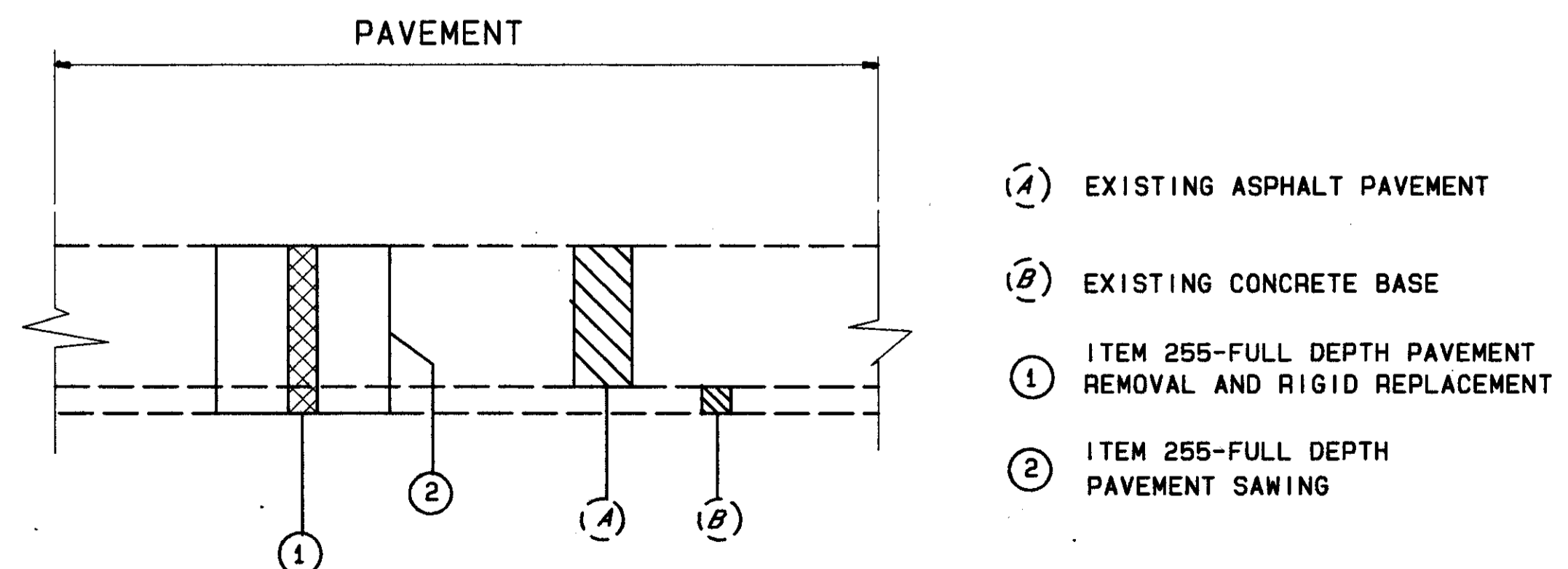
CONCRETE PAD DETAILS

S. R. 615 STA. 9+50± RT. & LT.



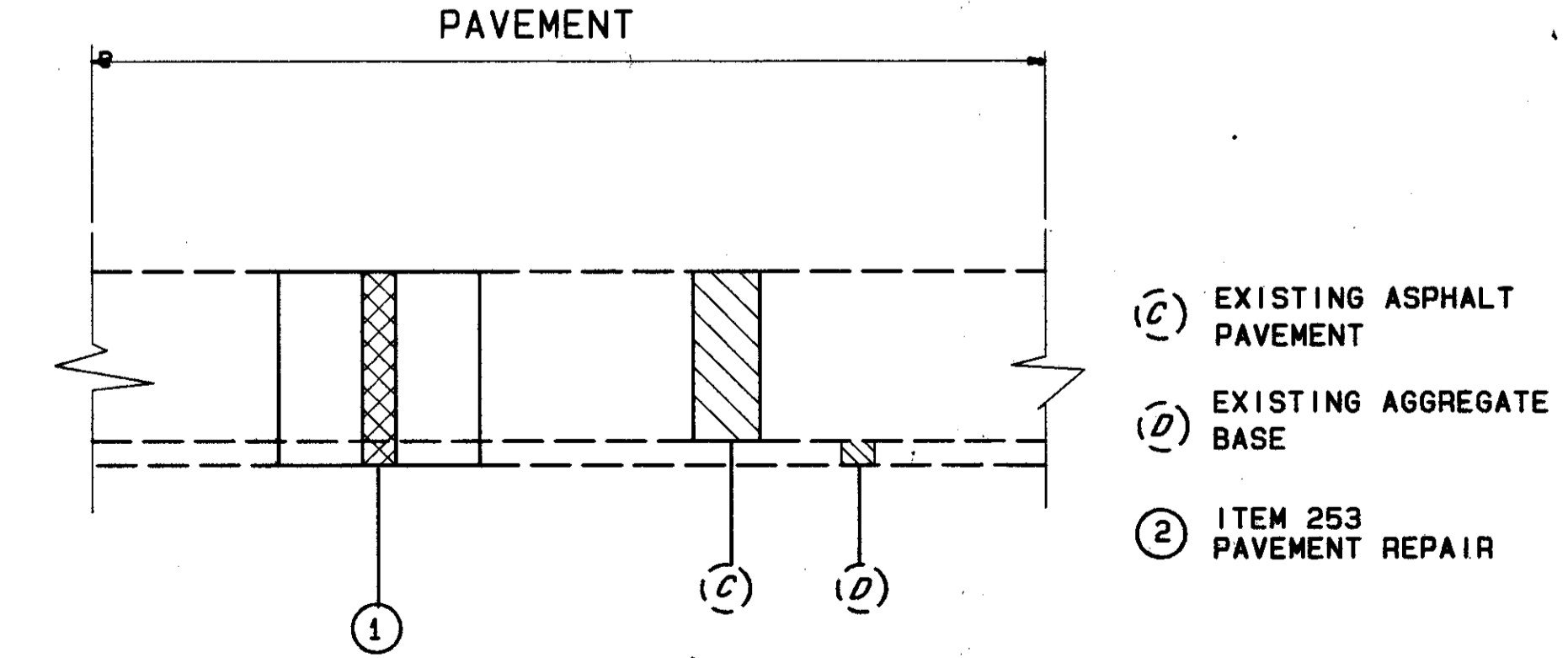
PAVEMENT REPAIR DETAIL

S. R. 615
STA. 33+79 TO 35+00



PAVEMENT REPAIR DETAIL

S. R. 615 STA. 7+80 TO STA. 10+12
S. R. 84 STA. 133+10 TO STA. 162+00



PAVEMENT REPAIR DETAIL

FORESTVIEW DRIVE
ESTHER STREET