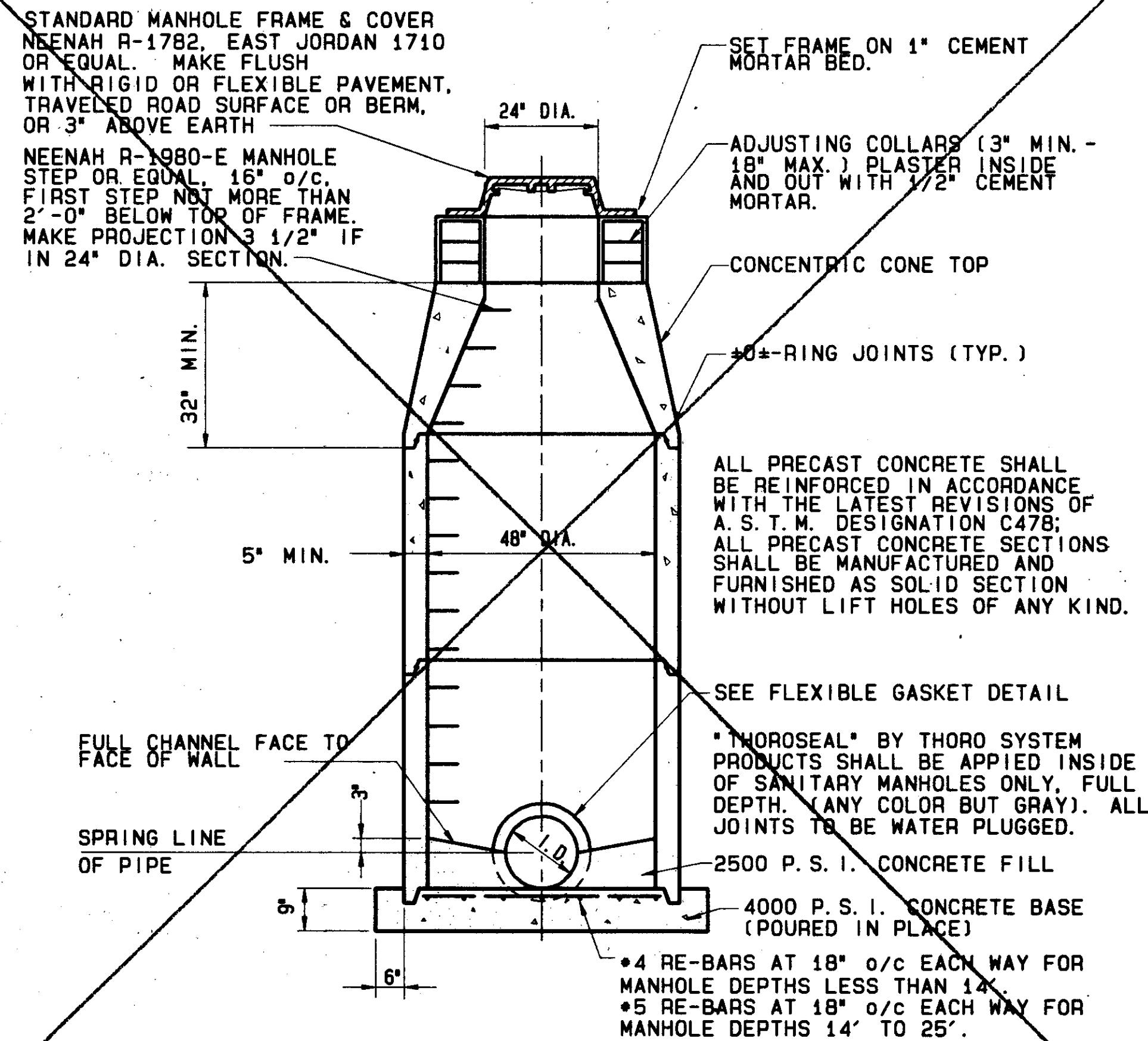


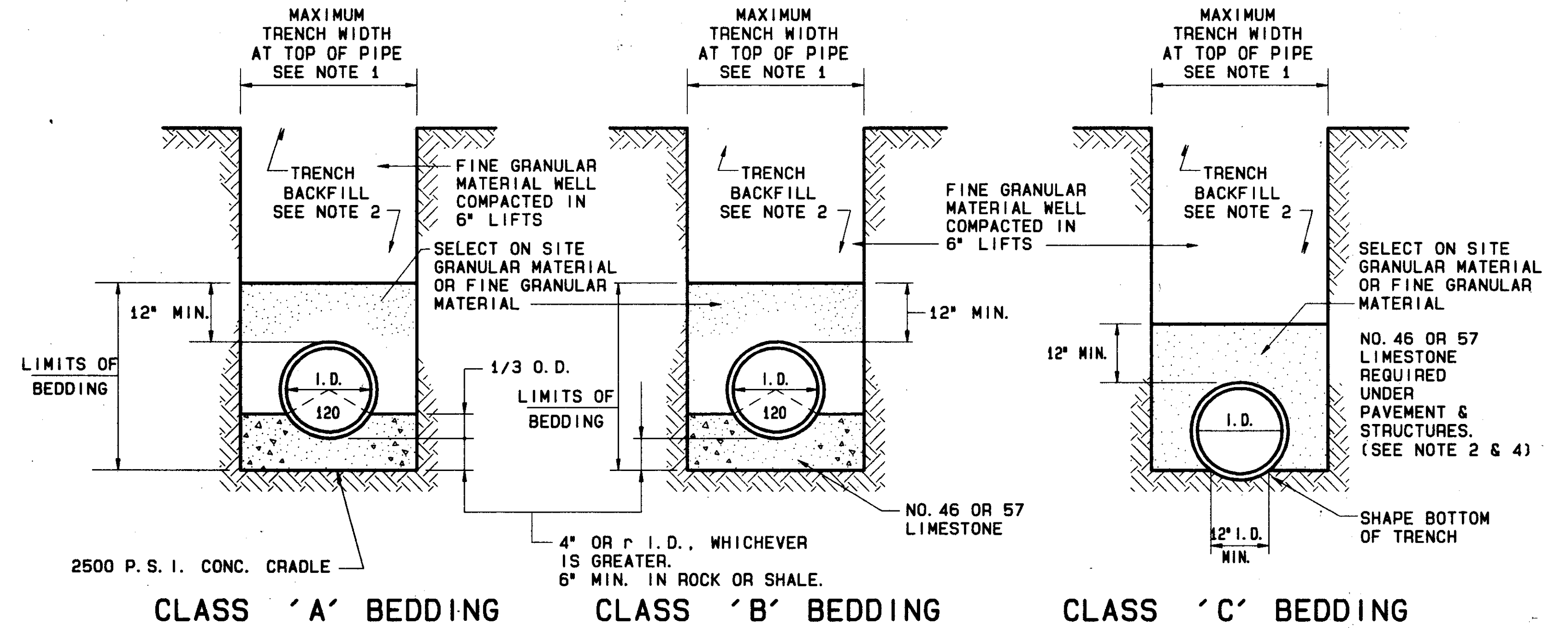
SANITARY SEWER DETAILS

NOT TO SCALE

CALC. BY	LAK - 615 - 2.82	OHIO	148
DATE		FHWA	5
CHKD. BY		REGION	199
DATE			



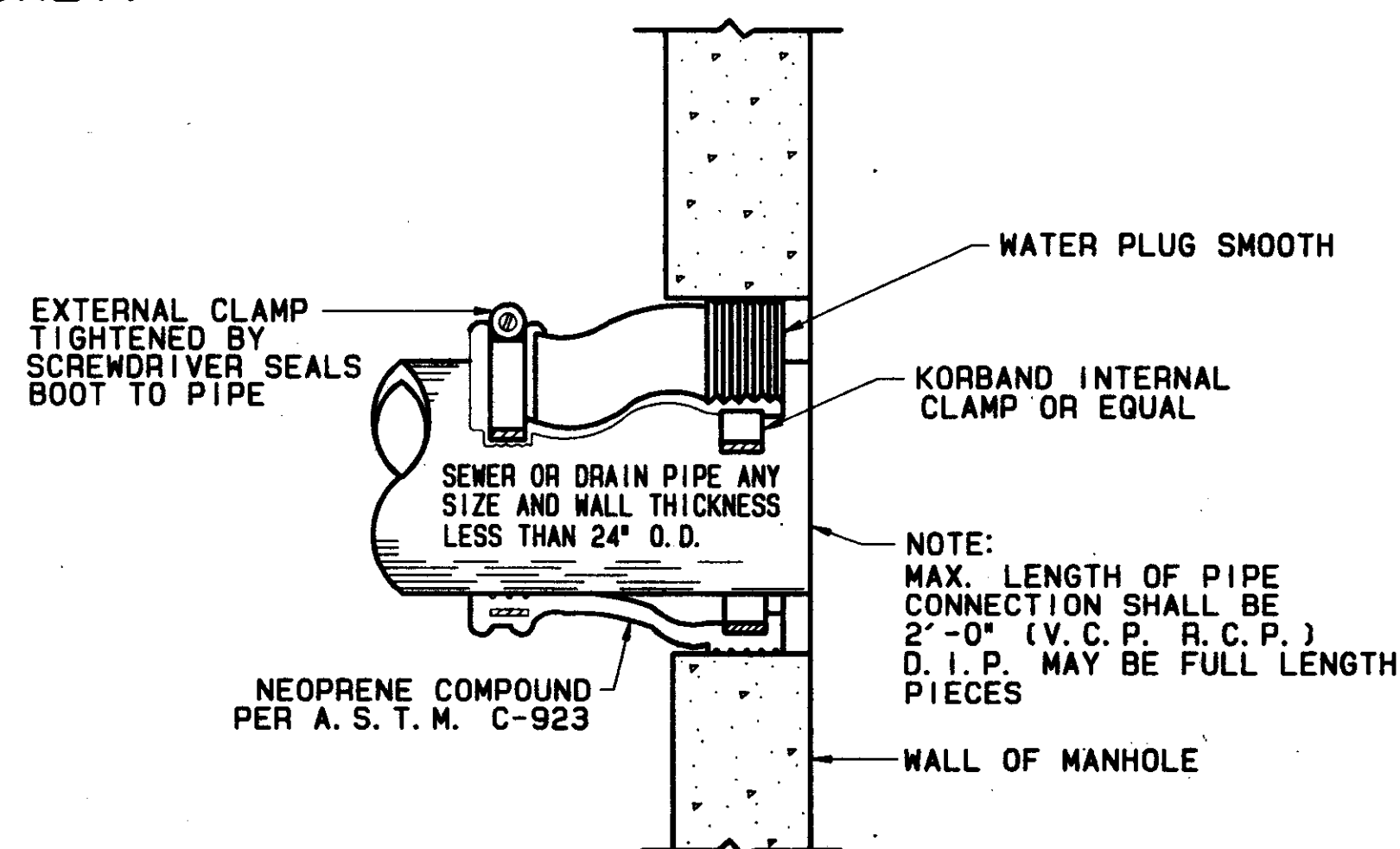
ITEM 604 - MANHOLE, AS PER PLAN, TYPE A
(24" I.D. OR LESS)
(LAKE COUNTY SANITARY ENGINEER ONLY)



LAKE COUNTY DEPARTMENT OF UTILITIES TRENCH & BEDDING DETAILS

NOTES:

1. MAXIMUM TRENCH AT TOP OF PIPE SHALL BE O.D. +24" FOR ALL PIPES UP TO AND INCLUDING 24" I.D.; O.D. +30" FOR PIPE LARGER THAN 24" I.D.
2. PIPE BACKFILL UNDER PAVEMENT AND STRUCTURES SHALL BE No. 46 OR No. 57 LIMESTONE COMPACTED TO TOP OF TRENCH. THE BACKFILL MATERIAL SHALL EXTEND A MINIMUM OF 3 FEET BEYOND EACH EDGE OF PAVEMENT OR STRUCTURE. IN AREAS OUTSIDE OF PAVEMENT, SELECT ON-SITE GRANULAR MATERIAL APPROVED BY LAKE COUNTY SANITARY ENGINEER MAY BE USED IN LIFTS NOT TO EXCEED 6" FOR PIPE BACKFILL ABOVE BEDDING.
3. ALL BEDDING SHALL BE CLASS "B" UNLESS OTHERWISE NOTED ON THE PLANS OR AUTHORIZED BY THE ENGINEER.
4. SLAG BEDDING SHALL NOT BE USED.
5. WATER LINE BEDDING SHALL BE CLASS "C".
6. CLAY DAMS SHALL BE REQUIRED WHEN AND WHERE NECESSARY PER THE SOLE DISCRETION OF THE LAKE COUNTY SANITARY ENGINEER.



SANITARY SEWER
FLEXIBLE GASKET DETAIL
(LAKE COUNTY SANITARY ENGINEER ONLY)

