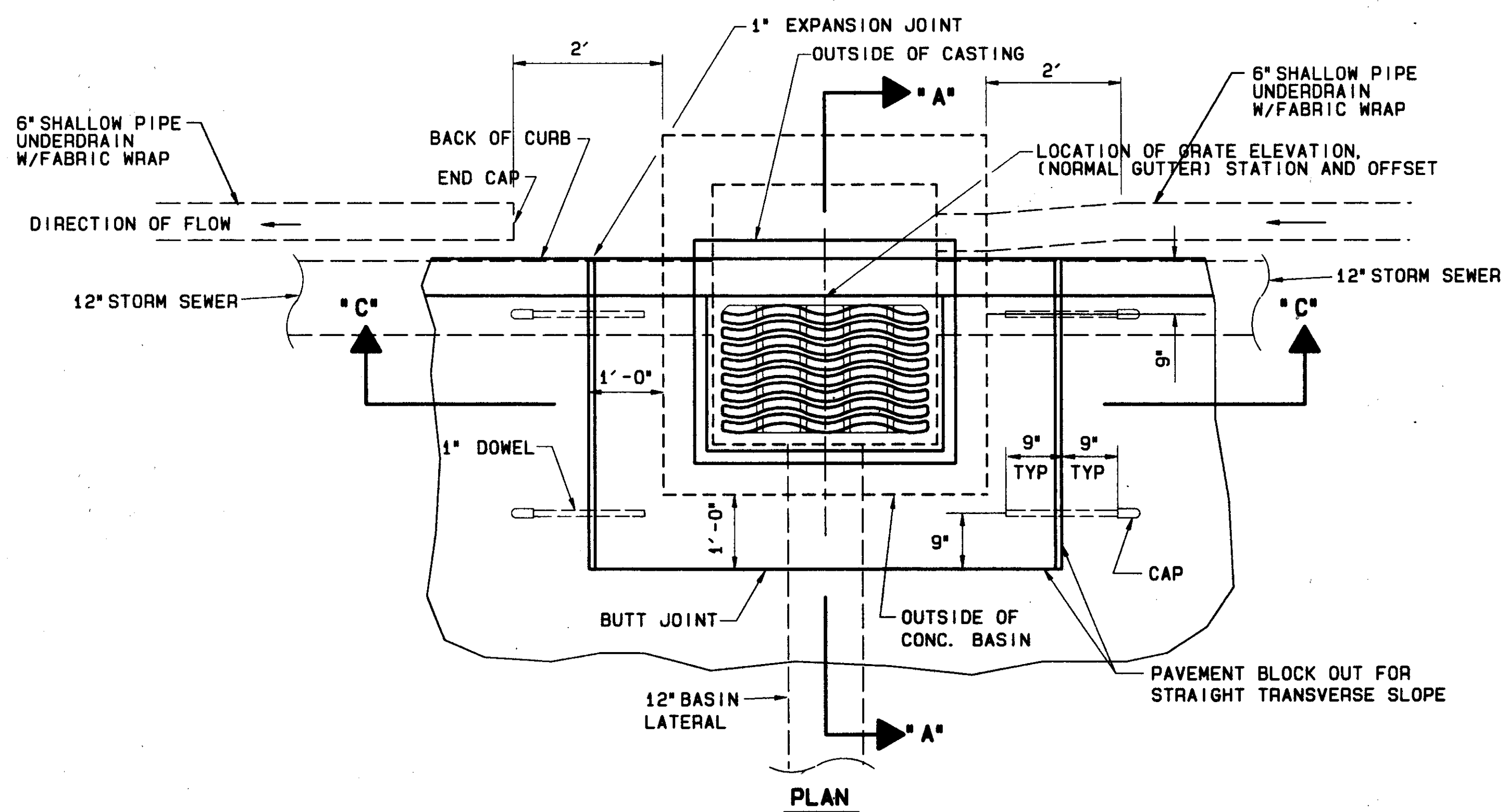


DRAINAGE DETAILS

NOT TO SCALE

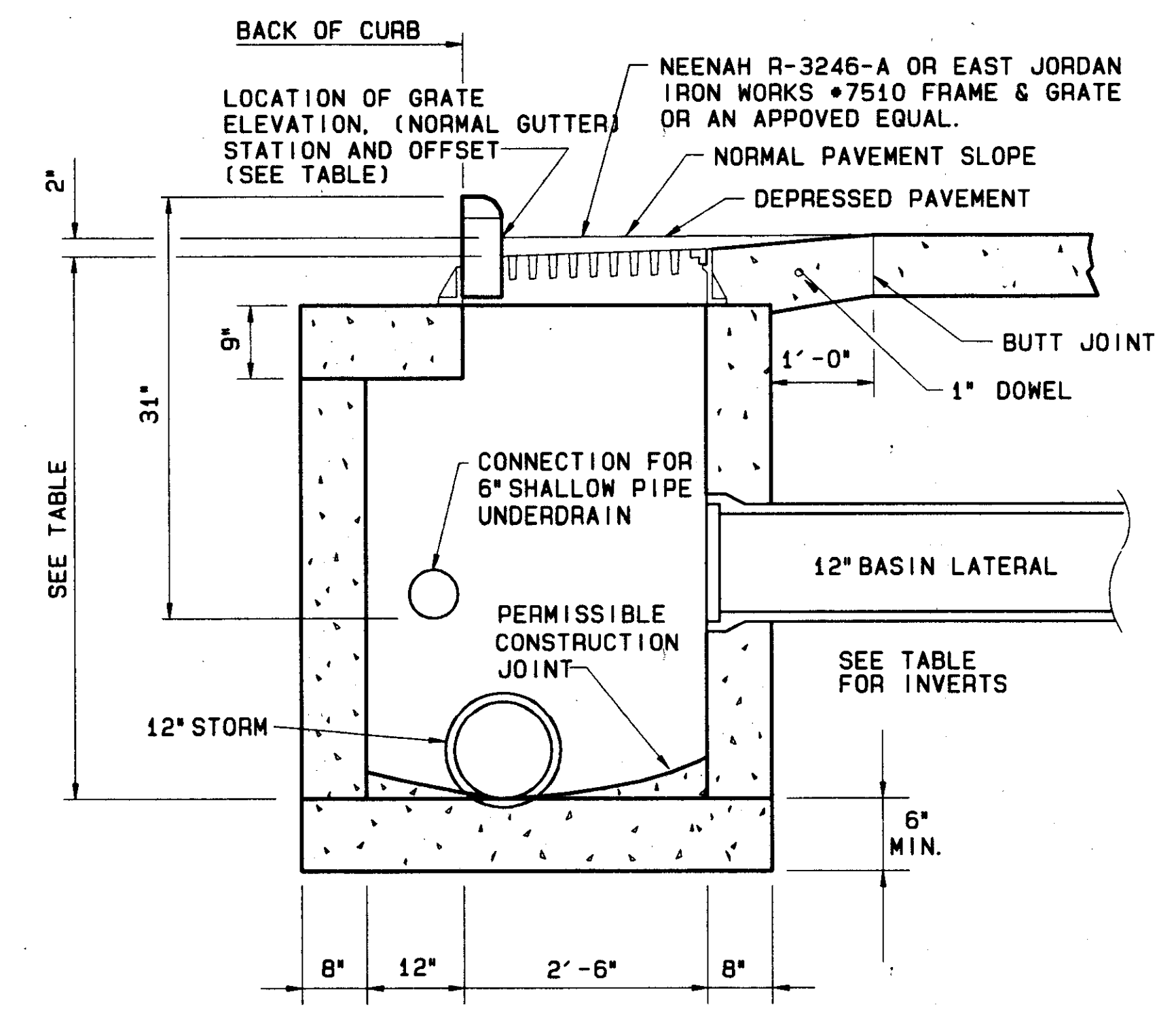
CALC. BY	LAK - 615 - 2.82	OHIO	146 199
DATE		FHWA	
CHKD. BY		REGION 5	
DATE			



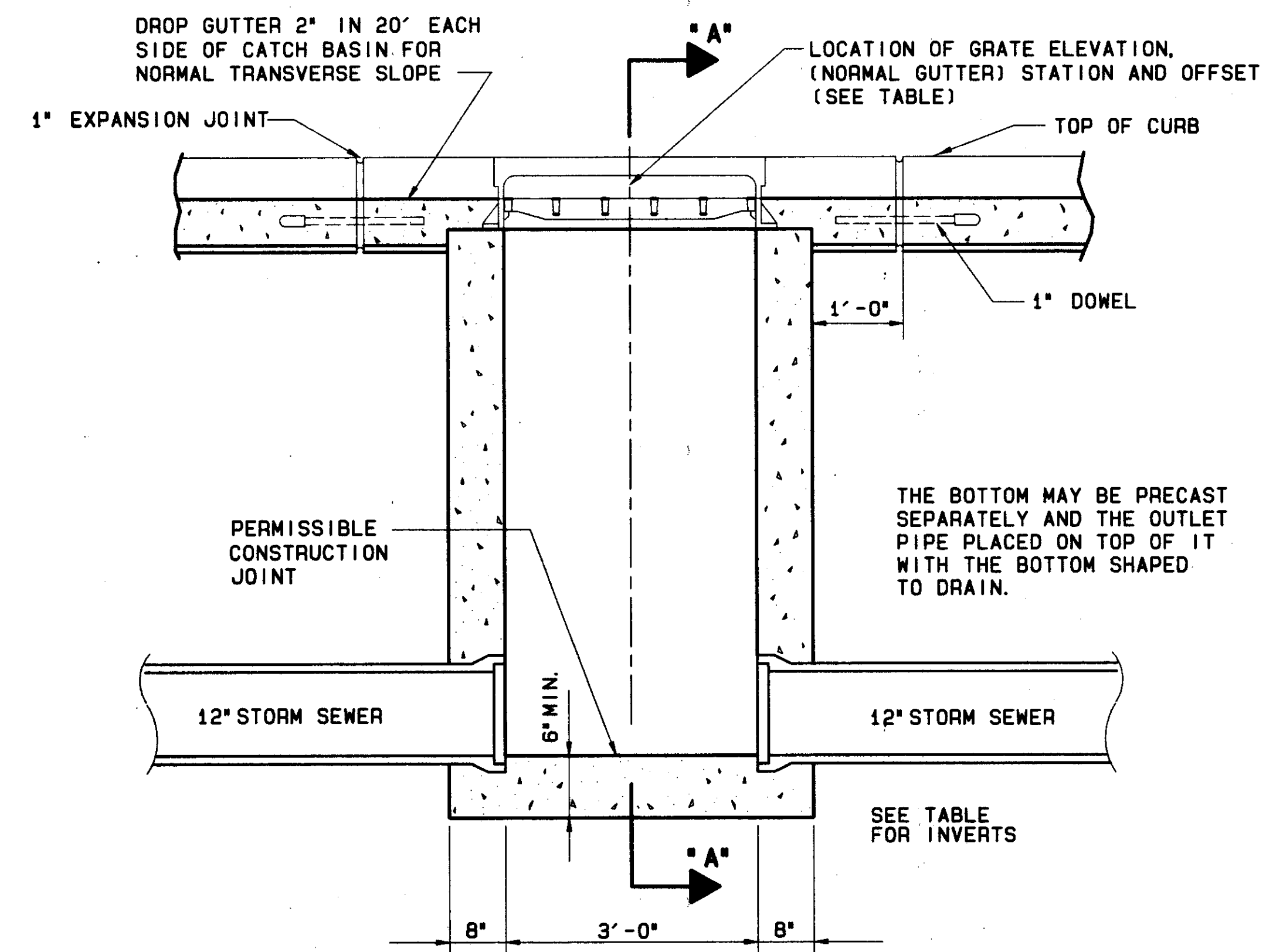
CATCH BASIN, NO. 3A, AS PER PLAN, TYPE 1

.. TABLE ..

LOCATION	OFFSET	GRATE ELEVATION	BASIN INVERT	LATERAL INVERT
11+20.00 FORESTVIEW	15.0' LT.	700.64	693.78	696.86
12+15.00 FORESTVIEW	12.0' LT.	701.27	694.53	697.37



SECTION A - A



SECTION C - C