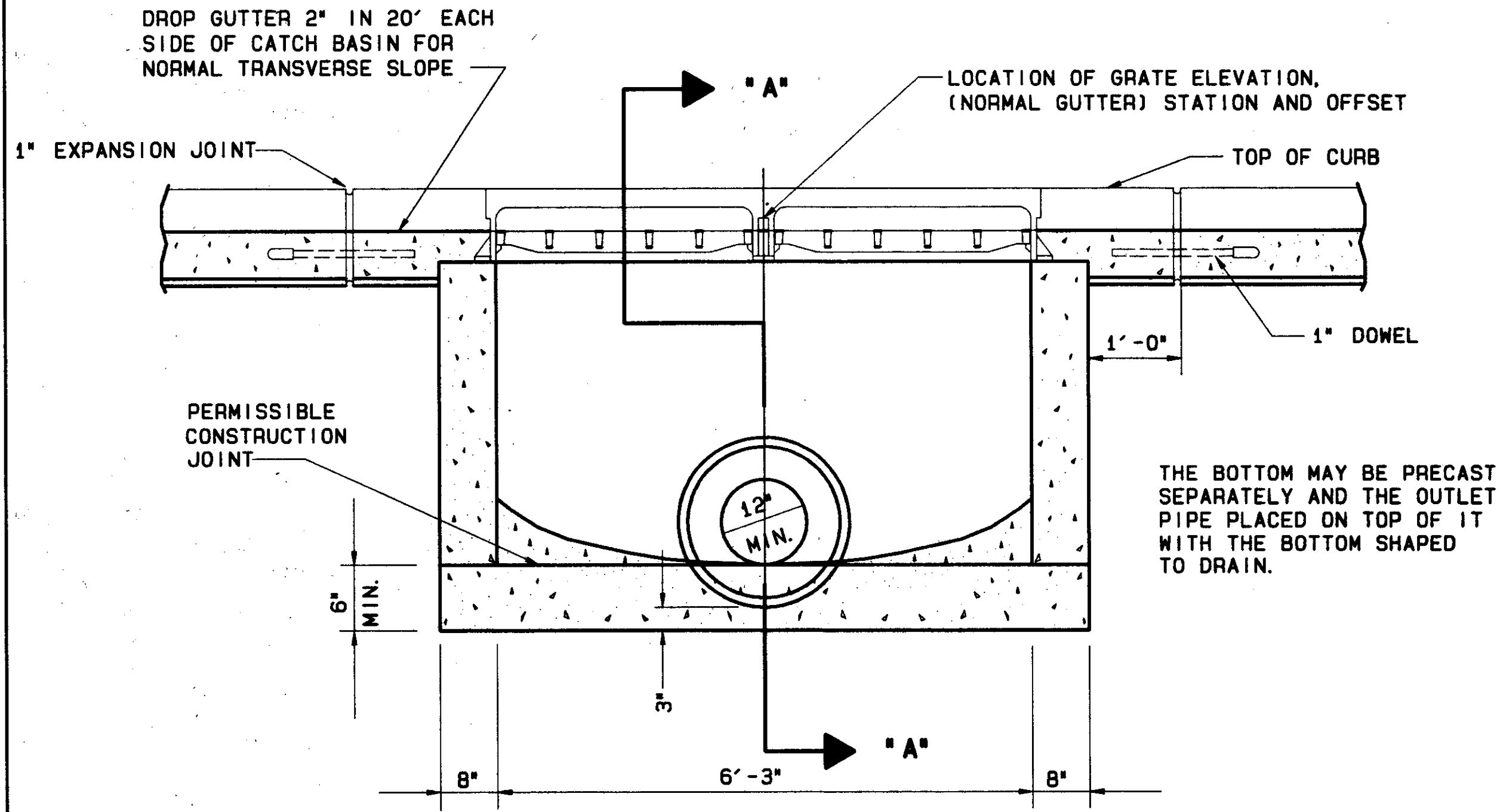


DRAINAGE DETAILS

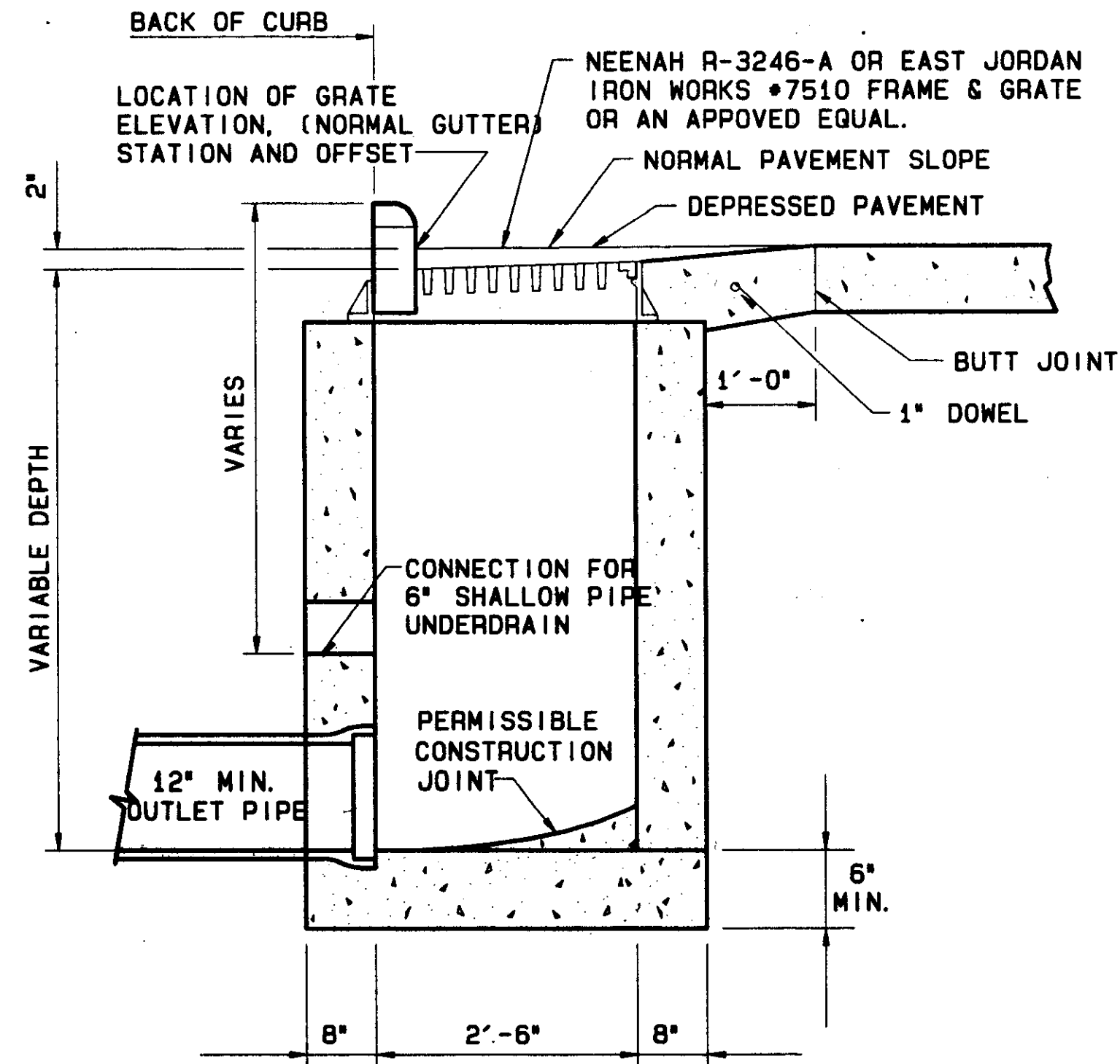
NOT TO SCALE

CALC. BY _____	LAK - 615 - 2.82	OHIO	145 199
DATE _____			
CHKD. BY _____		FHWA REGION 5	
DATE _____			

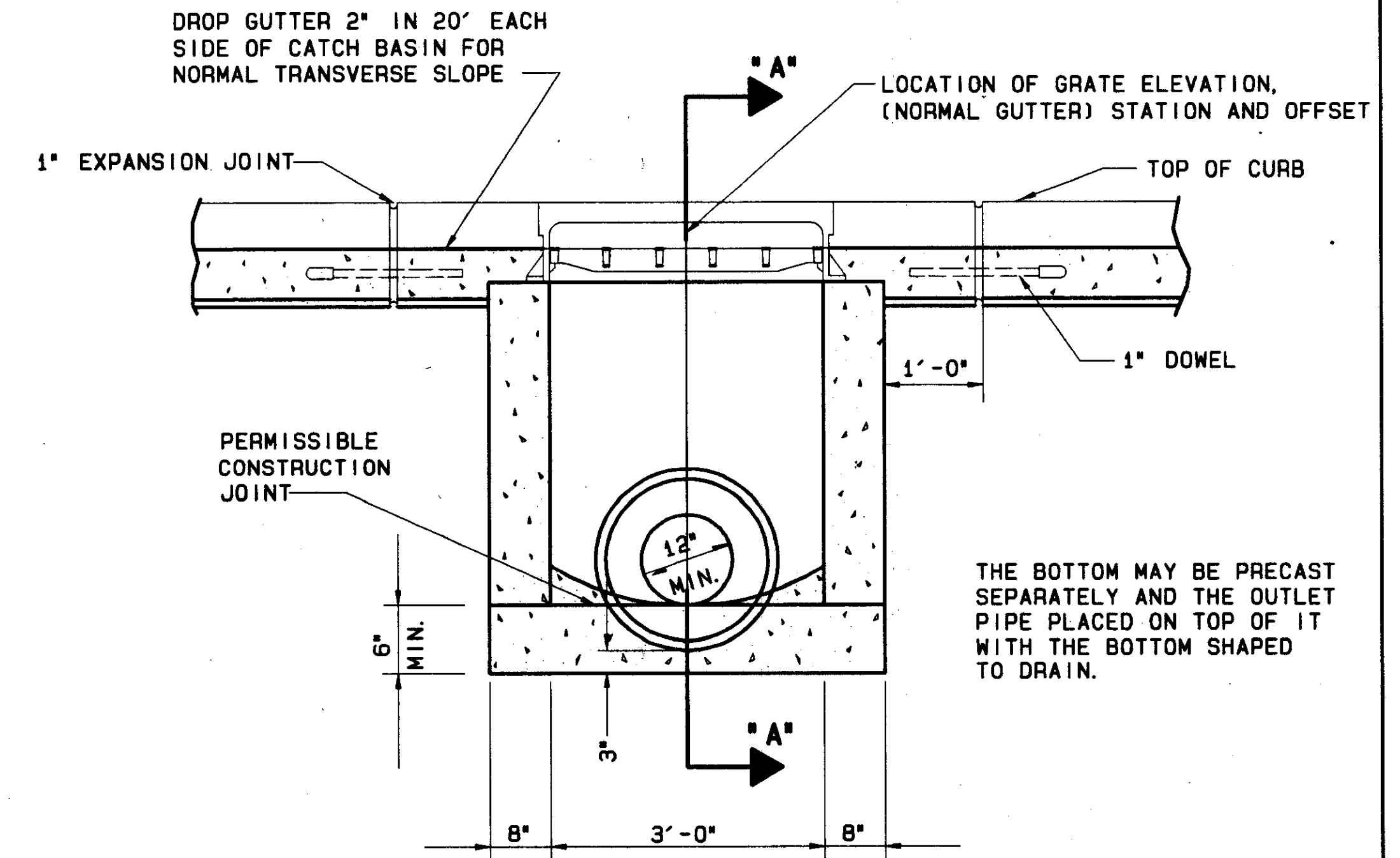
145



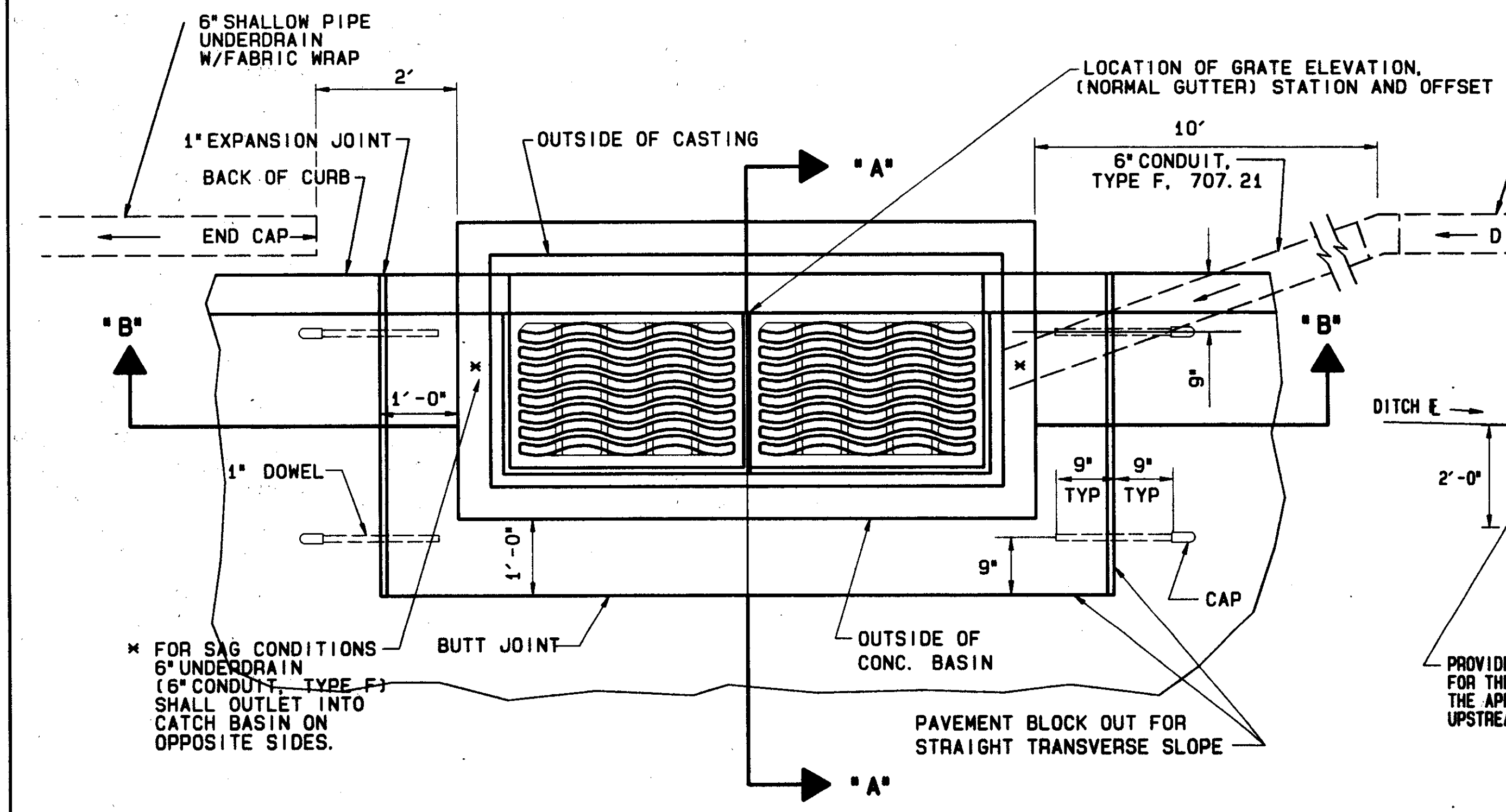
SECTION "B - B"



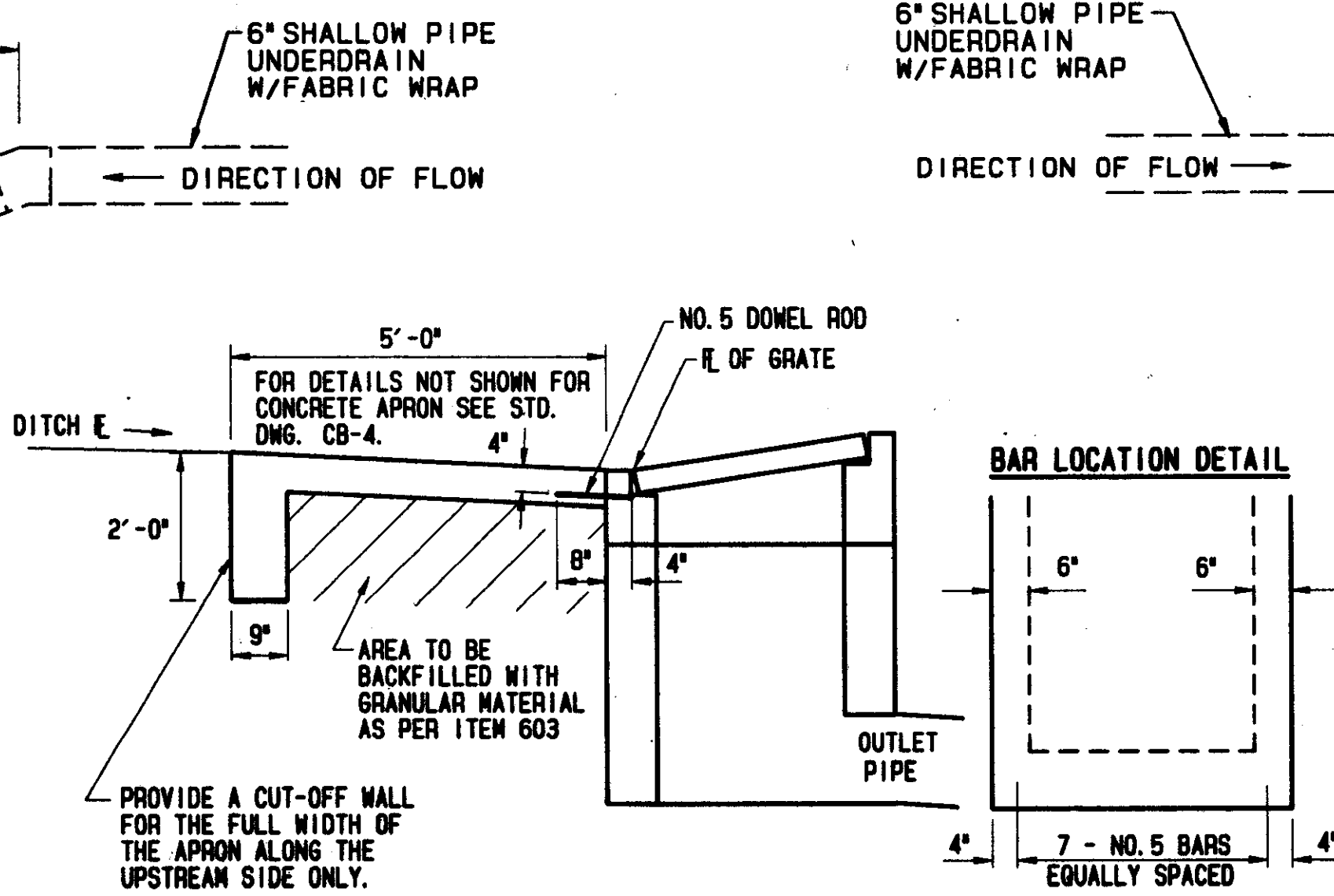
SECTION "A - A"



SECTION "C - C"



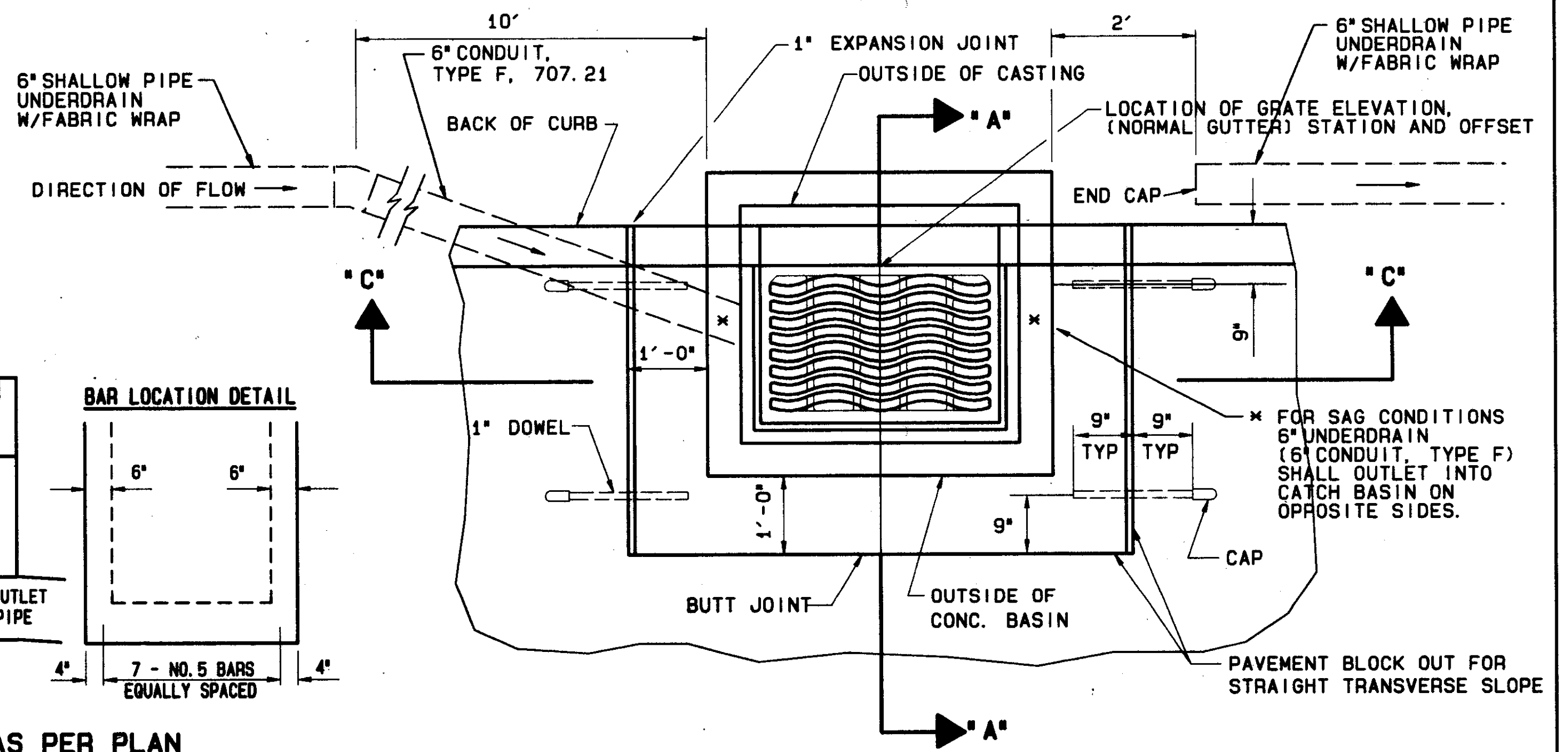
CATCH BASIN, NO. 3, AS PER PLAN



CATCH BASIN, NO. 4, AS PER PLAN

THE FURNISHING AND PLACING OF STEEL FOR THE 5/8"x12" DOWEL BARS SHALL BE PER 509 REINFORCING STEEL. THE DOWEL BARS SHALL BE EPOXY COATED PER 509.10. THE DOWEL BARS SHALL BE INSTALLED PER 510 OR CAST INTO THE BASIN. BOLT IN INSERTS MAY BE USED. THE CATCH BASIN SHALL BE PRECAST OR CAST IN PLACE CONCRETE. BRICK OR CONCRETE BLOCK WILL NOT BE PERMITTED. 6" CONCRETE APRON SHALL BE REINFORCED AS PER 601.04.

PAYMENT FOR THE ABOVE WORK SHALL BE INCLUDED IN THE UNIT BID PRICE FOR ITEM 604 CATCH BASIN NO. 4, AS PER PLAN, AND SHALL CONSTITUTE FULL COMPENSATION FOR FURNISHING ALL MATERIAL, LABOR, TOOLS AND EQUIPMENT INCIDENTAL TO COMPLETE THIS ITEM OF WORK.



CATCH BASIN, NO. 3A, AS PER PLAN