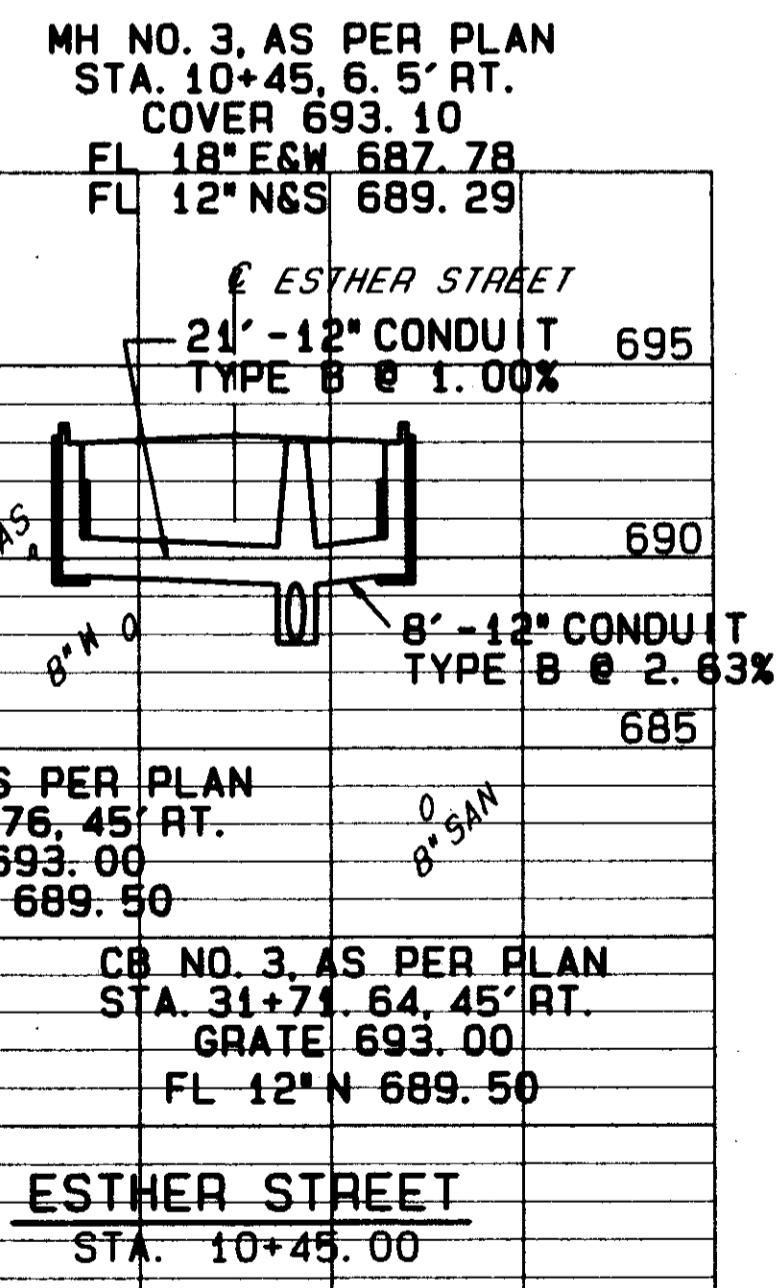
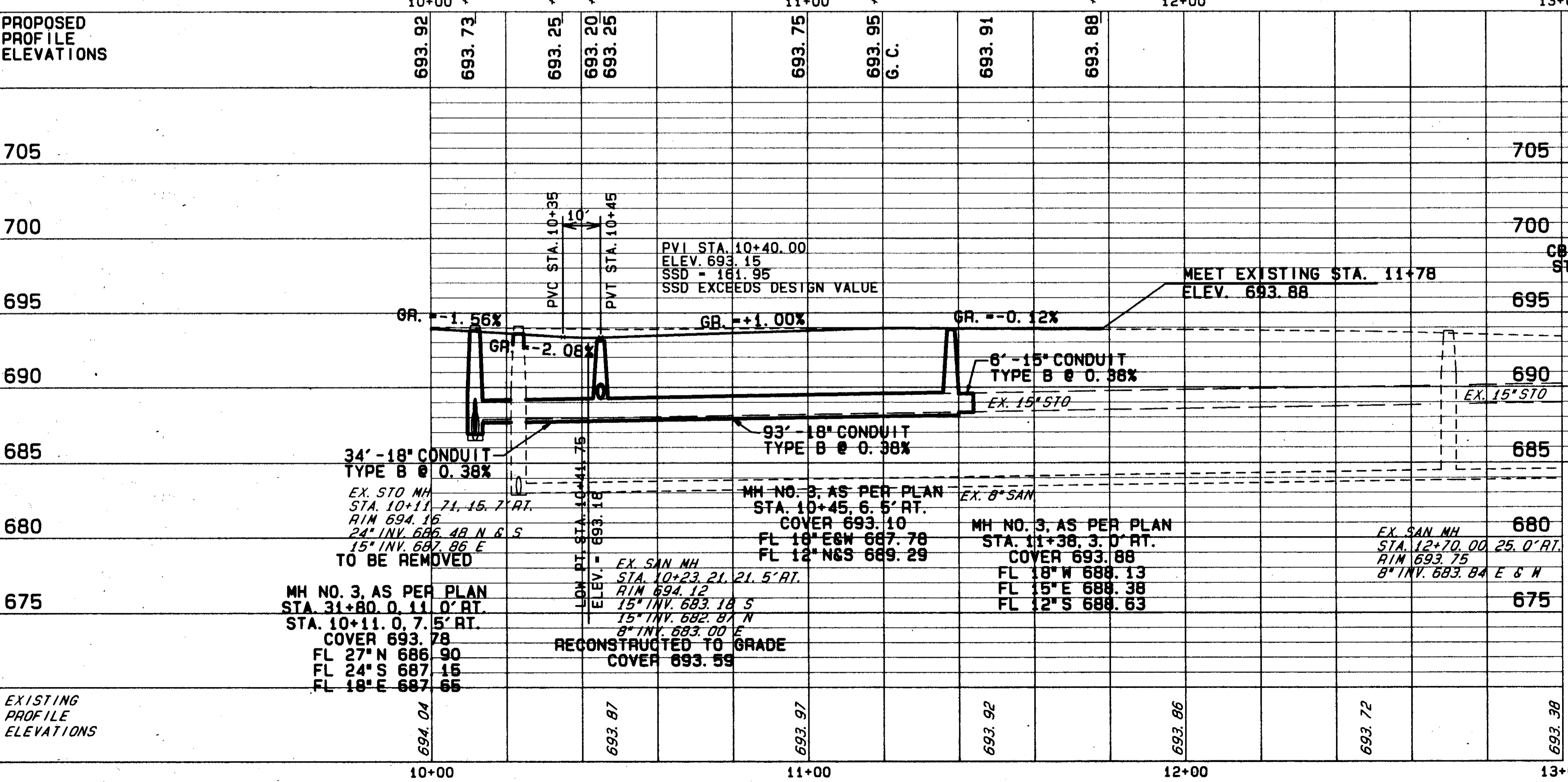
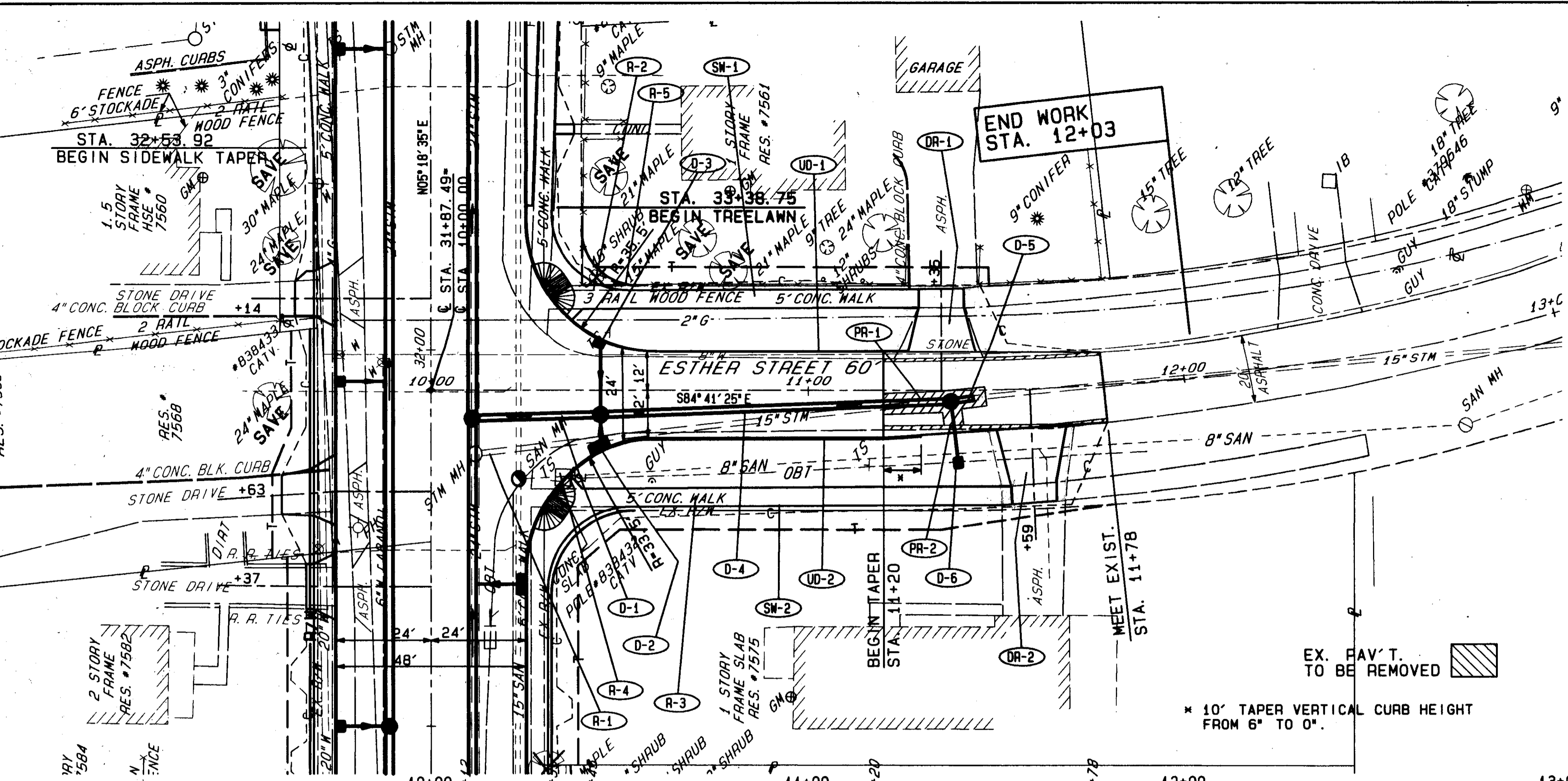


FOR STORM SEWER CONNECTION SCHEDULE SEE SHEET 46
 FOR TYPICAL SECTIONS SEE SHEETS 4-10
 FOR S.R. 615 PLAN & PROFILE SEE SHEET 75
 FOR S.R. 615 CROSS SECTIONS SEE SHEETS 118-119
 FOR ESTHER ST. CROSS SECTIONS SEE SHEETS 128-129
 FOR UNDERDRAIN QUANTITIES SEE SHEETS 40-41
 FOR DRIVEWAY PROFILES SEE SHEET 141
 FOR INTERSECTION DETAIL SEE SHEET 144
 FOR CATCH BASIN DETAILS SEE SHEETS 145-146
 FOR DRIVEWAY DETAILS SEE SHEETS 150-151
 FOR PAVEMENT MARKING PLANS SEE SHEET 162
 FOR SIGNING PLANS SEE SHEET 166



202	FENCE REMOVED	L.F.							
202	PIPE REMOVED 24" AND UNDER	L.F.	127						127
202	WALK REMOVED	S.F.	570		690				92
202	STRUCTURE REMOVED	LUMP							1260
									92

REF	LOCATION	L.F.	L.F.	L.F.	L.F.	TOTALS
R-1	STA. 10+11.71 RT. TO STA. 11+38.00 RT.					
R-2	STA. 10+31.00 LT. TO STA. 11+45.00 LT.					
R-3	STA. 10+27.00 RT. TO STA. 11+65.00 RT.					
R-4	STA. 10+35.00 RT.					
R-5	STA. 10+40.00 LT. TO STA. 11+26.00 LT.					

QUANTITIES HAVE BEEN CARRIED TO SUB-SUMMARY SHEETS 42-45

REF	LOCATION	L.F.	L.F.	L.F.	L.F.	EA.	EA.	EA.	EA.
D-1	STA. 10+11.00 RT. TO STA. 10+45.00 RT.					34			1
D-2	STA. 31+71.64 (SR. 615) RT. TO STA. 10+45.00 RT.		8				1		
D-3	STA. 32+02.76 (SR. 615) RT. TO STA. 10+45.00 RT.		21				1		
D-4	STA. 10+45.00 RT. TO STA. 11+38.00 RT.					93			1
D-5	STA. 11+38.00 RT. TO STA. 11+44.00 RT.			6					
D-6	STA. 11+38.00 RT. TO STA. 11+40.00 RT.		15						1
	TOTALS	44	6	127		1	1	1	2

DRAINAGE & SANITARY

REF	LOCATION	L.F.	L.F.	L.F.	L.F.	EA.	EA.	EA.	EA.
D-1	STA. 10+11.00 RT. TO STA. 10+45.00 RT.					34			1
D-2	STA. 31+71.64 (SR. 615) RT. TO STA. 10+45.00 RT.		8				1		
D-3	STA. 32+02.76 (SR. 615) RT. TO STA. 10+45.00 RT.		21				1		
D-4	STA. 10+45.00 RT. TO STA. 11+38.00 RT.					93			1
D-5	STA. 11+38.00 RT. TO STA. 11+44.00 RT.			6					
D-6	STA. 11+38.00 RT. TO STA. 11+40.00 RT.		15						1
	TOTALS	44	6	127		1	1	1	2