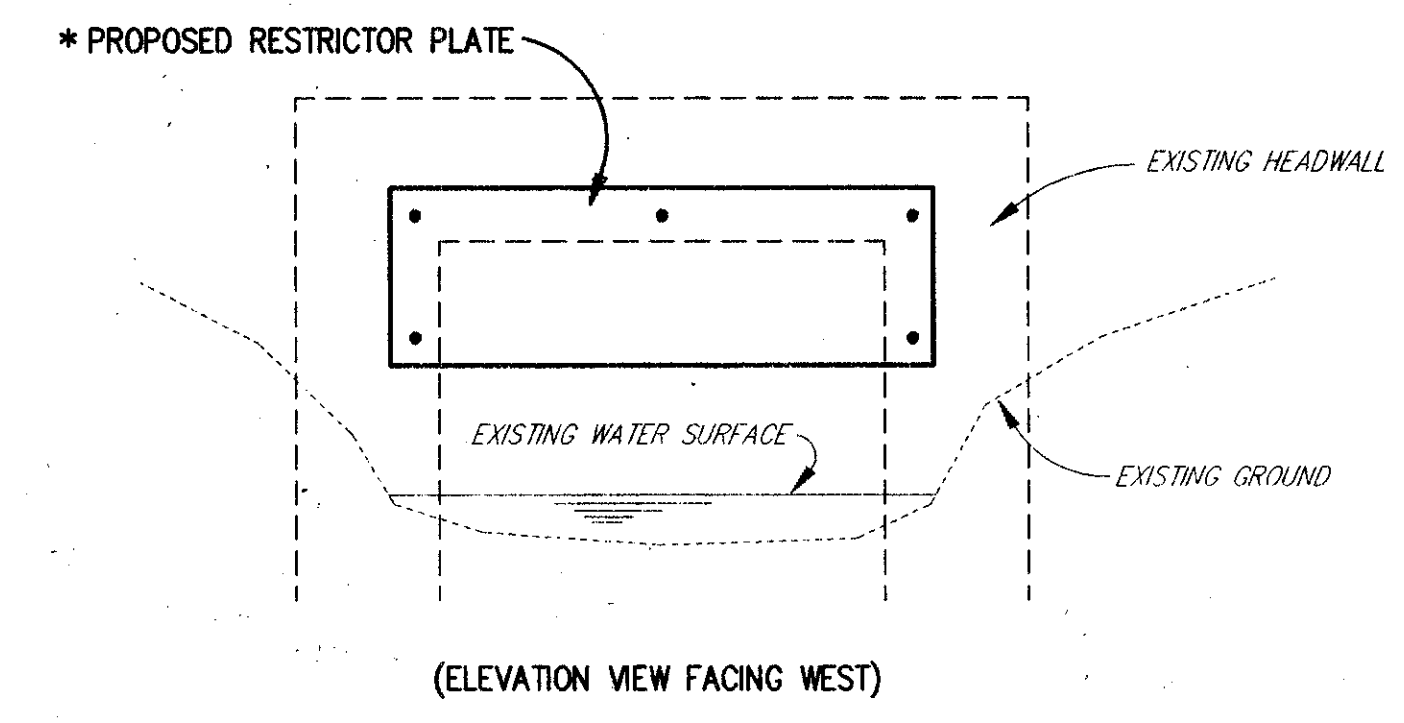
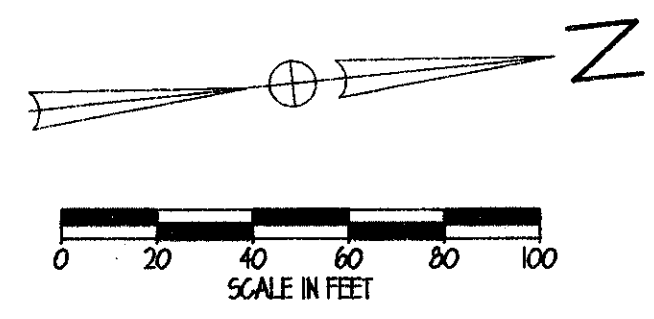


PID NO. 9332 SJN 120880
 FED NO. STP-1A37()

CURVE DATA
 PC STA. 122+80.56
 PT STA. 127+84.54
 R = 720.00'
 Δ = 40°06'20"
 A = 503.98'
 T = 262.81'
 C = 493.76'
 N. 74°05'55" E.
 Dc = 07°57'28"

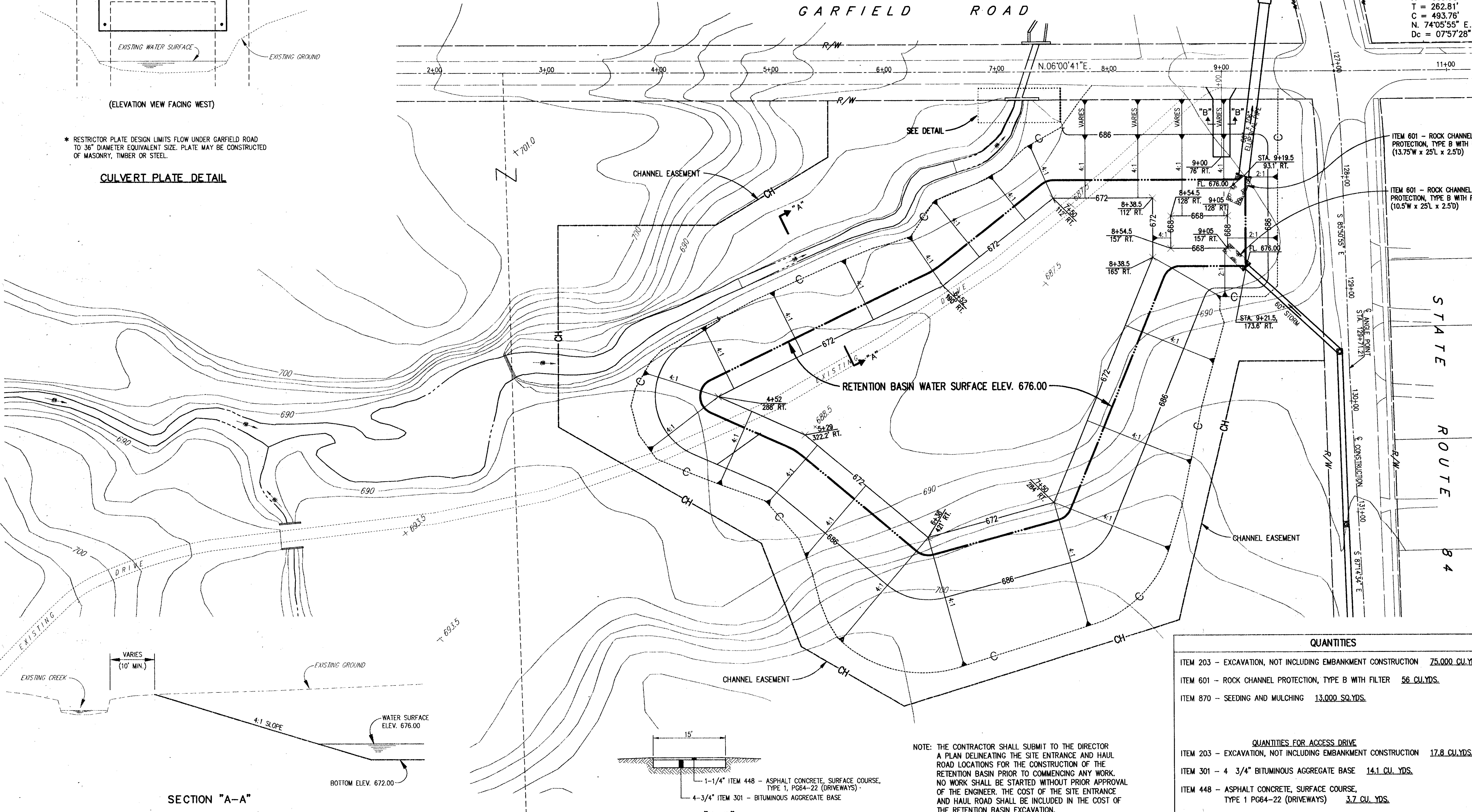
NOTE: FOR S.R. 84 CURVE INFORMATION
 SEE PLAT RECORDED IN
 VOLUME 31 PAGE 22 & 22.1
 LAKE COUNTY PLAT RECORDS.

SEE SHEET
 FOR S.R. 84



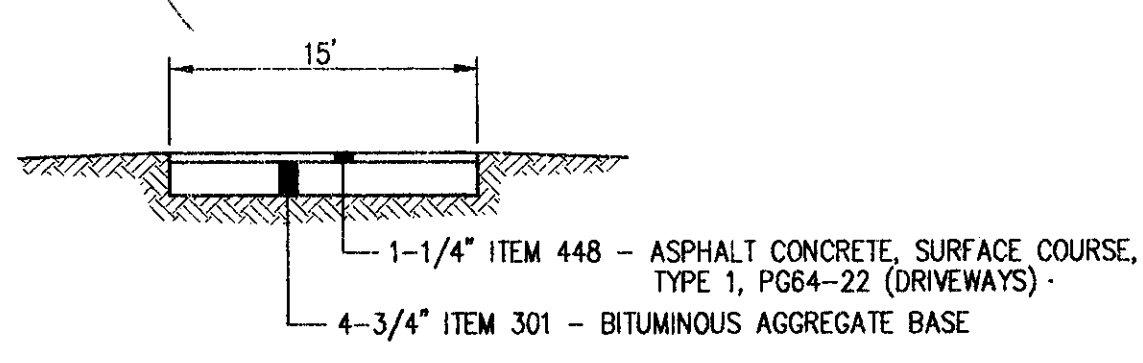
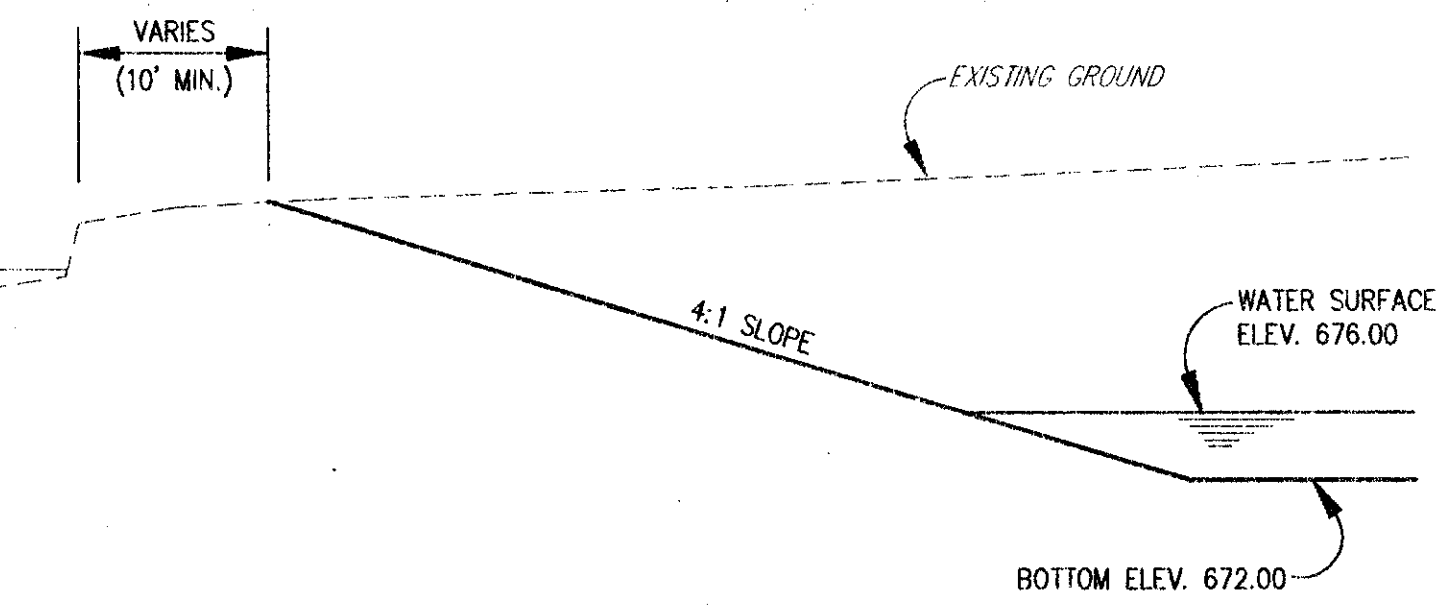
* RESTRICTOR PLATE DESIGN LIMITS FLOW UNDER GARFIELD ROAD
 TO 36" DIAMETER EQUIVALENT SIZE. PLATE MAY BE CONSTRUCTED
 OF MASONRY, TIMBER OR STEEL.

CULVERT PLATE DETAIL



ITEM 601 - ROCK CHANNEL PROTECTION, TYPE B WITH FILTER (13.75'W x 25'L x 2.5'D)
 ITEM 601 - ROCK CHANNEL PROTECTION, TYPE B WITH FILTER (10.5'W x 25'L x 2.5'D)

DRIVE



NOTE: THE CONTRACTOR SHALL SUBMIT TO THE DIRECTOR A PLAN DELINEATING THE SITE ENTRANCE AND HAUL ROAD LOCATIONS FOR THE CONSTRUCTION OF THE RETENTION BASIN PRIOR TO COMMENCING ANY WORK. NO WORK SHALL BE STARTED WITHOUT PRIOR APPROVAL OF THE ENGINEER. THE COST OF THE SITE ENTRANCE AND HAUL ROAD SHALL BE INCLUDED IN THE COST OF THE RETENTION BASIN EXCAVATION.

QUANTITIES	
ITEM 203 - EXCAVATION, NOT INCLUDING EMBANKMENT CONSTRUCTION	75,000 CU. YDS.
ITEM 601 - ROCK CHANNEL PROTECTION, TYPE B WITH FILTER	56 CU. YDS.
ITEM 870 - SEEDING AND MULCHING	13,000 SQ. YDS.
QUANTITIES FOR ACCESS DRIVE	
ITEM 203 - EXCAVATION, NOT INCLUDING EMBANKMENT CONSTRUCTION	17.8 CU. YDS.
ITEM 301 - 4 3/4" BITUMINOUS AGGREGATE BASE	14.1 CU. YDS.
ITEM 448 - ASPHALT CONCRETE, SURFACE COURSE, TYPE 1 PG64-22 (DRIVEWAYS)	3.7 CU. YDS.

H:\CT\9272\CAD\BASINREV.DWG 11-02-00