

STORM WATER POLLUTION PREVENTION PLAN

CALC. BY: _____
 DATE: _____
 CHKD. BY: _____
 DATE: _____

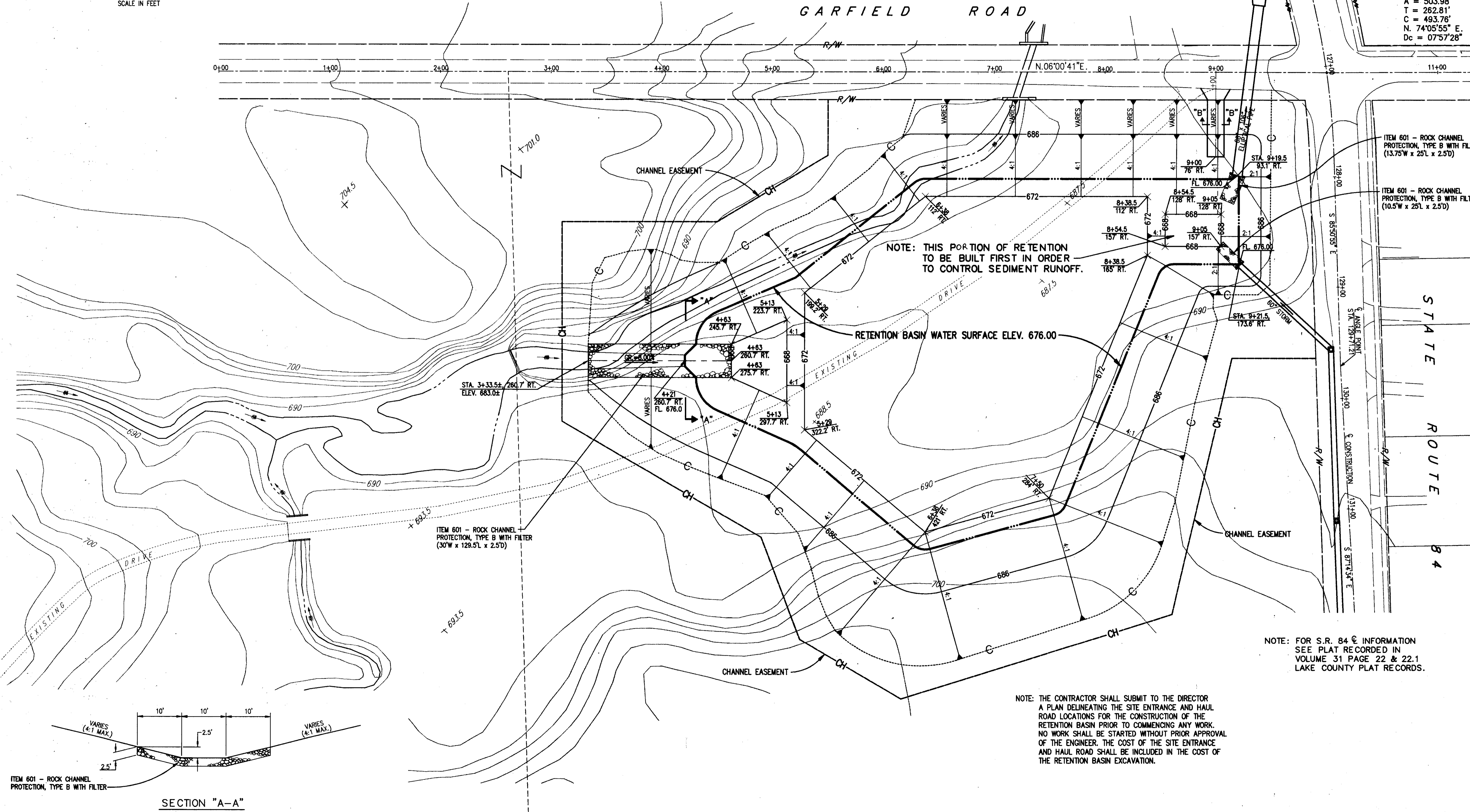
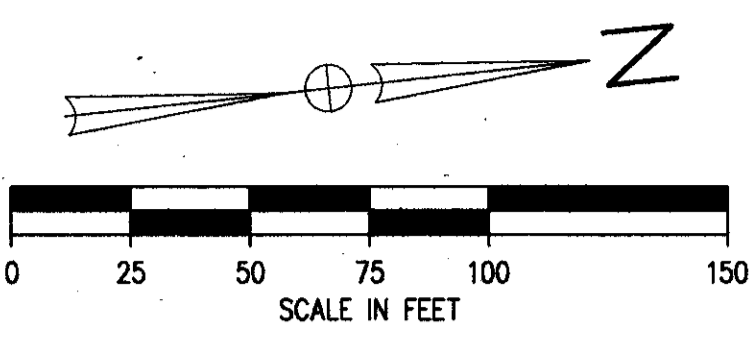
LAK - 615 - 2.82

OHIO
 FHWA REGION 5

PID NO. 9332 SJN 120880
 FED NO. STP-1A37()

☉ CURVE DATA
 PC STA. 122+80.56
 PT STA. 127+84.54
 R = 720.00'
 Δ = 40°06'20"
 A = 503.98'
 T = 262.81'
 C = 493.76'
 N. 74°05'55" E.
 Dc = 075°7'28"

SEE SHEET 58
 FOR S.R. 84



NOTE: THIS PORTION OF RETENTION TO BE BUILT FIRST IN ORDER TO CONTROL SEDIMENT RUNOFF.

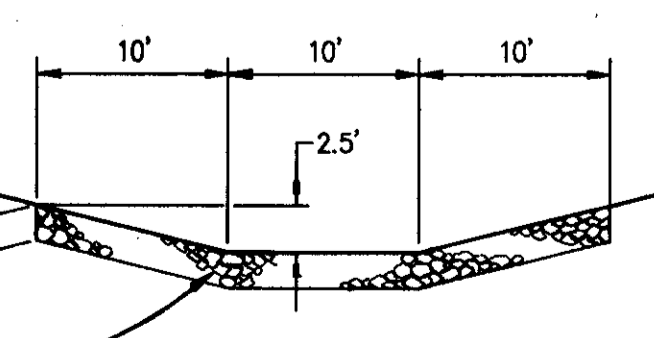
ITEM 601 - ROCK CHANNEL PROTECTION, TYPE B WITH FILTER (13.75'W x 25'L x 2.5'D)

ITEM 601 - ROCK CHANNEL PROTECTION, TYPE B WITH FILTER (10.5'W x 25'L x 2.5'D)

ITEM 601 - ROCK CHANNEL PROTECTION, TYPE B WITH FILTER (30'W x 129.5'L x 2.5'D)

NOTE: FOR S.R. 84 ☉ INFORMATION SEE PLAT RECORDED IN VOLUME 31 PAGE 22 & 22.1 LAKE COUNTY PLAT RECORDS.

NOTE: THE CONTRACTOR SHALL SUBMIT TO THE DIRECTOR A PLAN DELINEATING THE SITE ENTRANCE AND HAUL ROAD LOCATIONS FOR THE CONSTRUCTION OF THE RETENTION BASIN PRIOR TO COMMENCING ANY WORK. NO WORK SHALL BE STARTED WITHOUT PRIOR APPROVAL OF THE ENGINEER. THE COST OF THE SITE ENTRANCE AND HAUL ROAD SHALL BE INCLUDED IN THE COST OF THE RETENTION BASIN EXCAVATION.



SECTION "A-A"

ITEM 601 - ROCK CHANNEL PROTECTION, TYPE B WITH FILTER