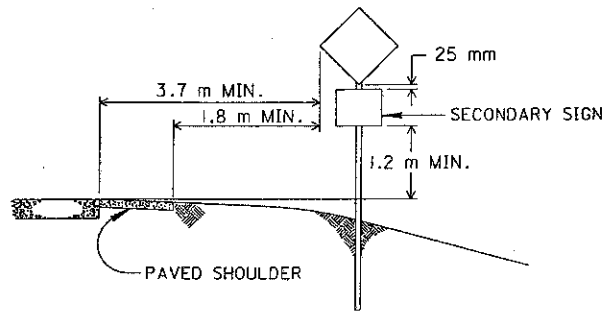
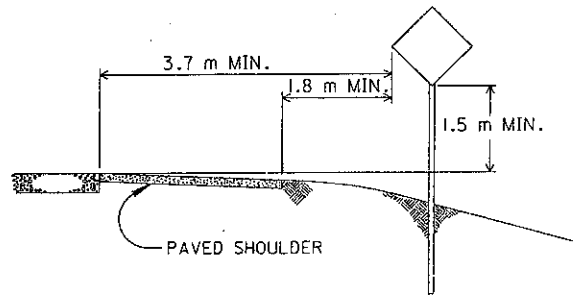


URBAN-RESIDENTIAL AND BUSINESS



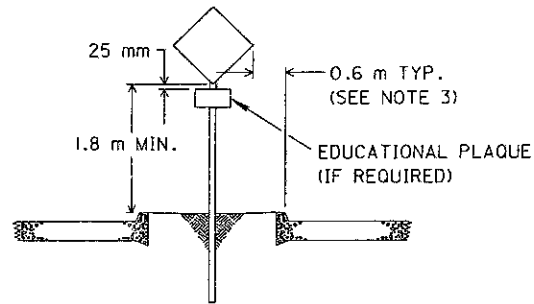
RURAL
W/SECONDARY SIGN



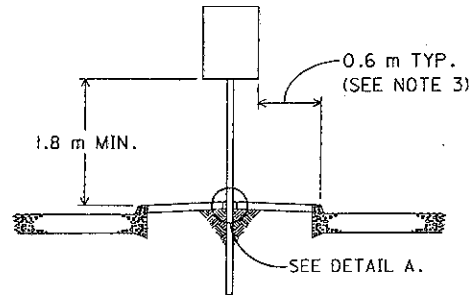
RURAL

NOTES

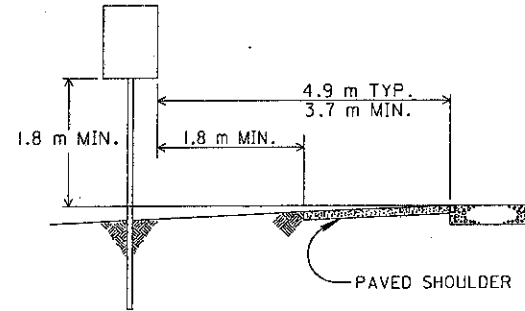
1. SEE DRAWING TC-41.20M FOR DETAILS ON YIELDING SUPPORTS.
2. ALL SIGNS SHALL BE PLACED 90° TO THE ROADWAY, EXCEPT PARKING SIGNS WITH ARROW SHALL BE SET AT AN ANGLE OF NOT LESS THAN 30° NOR MORE THAN 45° WITH A LINE PARALLEL TO THE FLOW OF TRAFFIC.
3. A CLEARANCE OF 0.3 m IS PERMISSIBLE WHERE SIDEWALK WIDTH IS LIMITED OR WHERE EXISTING POLES ARE CLOSE TO THE CURB.
4. SEE DRAWINGS TC-52.10M AND TC-52.20M FOR DIMENSIONS BETWEEN SUPPORTS.



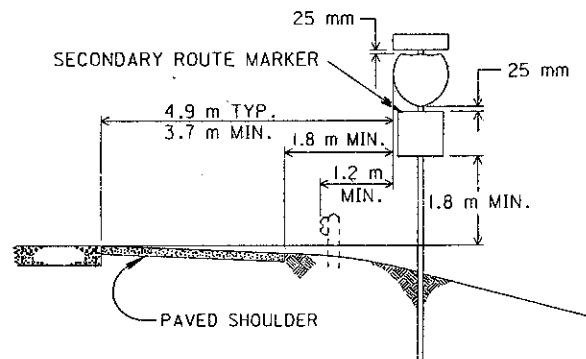
MEDIAN



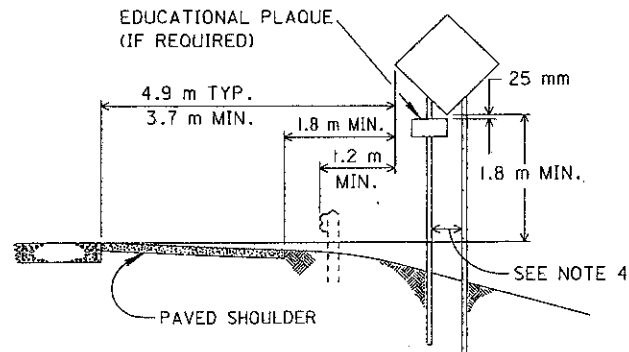
PAVED MEDIAN



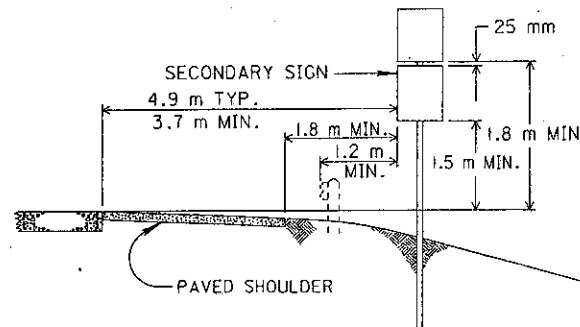
MEDIAN-EXPRESSWAY OR FREEWAY



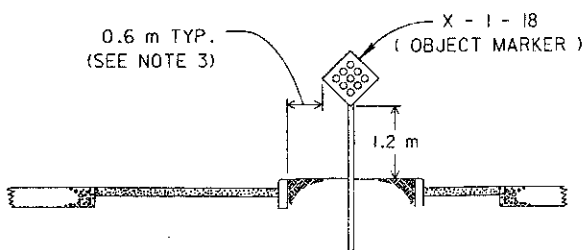
EXPRESSWAY OR FREEWAY
W/SECONDARY SIGN



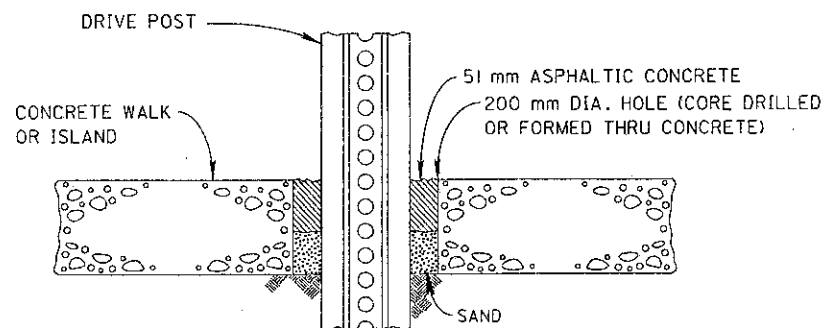
EXPRESSWAY OR FREEWAY



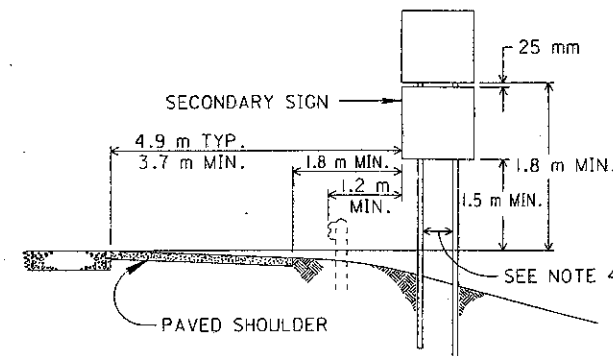
EXPRESSWAY OR FREEWAY
W/SECONDARY SIGN



EXPRESSWAY OR FREEWAY



DETAIL A.



EXPRESSWAY OR FREEWAY
W/SECONDARY SIGN

METRIC

BUREAU OF DESIGN SERVICES
DIVISION OF HIGHWAYS
OHIO DEPARTMENT OF TRANSPORTATION

TRAFFIC CONTROL

DATE
03/31/94

TYPICAL SIGN PLACEMENT
REGULATORY, WARNING
AND ROUTE MARKER SIGNS

STANDARD
CONSTRUCTION
DRAWING
APPROVED *[Signature]* ENGR. OF DESIGN SERVICES

TC-42.20M