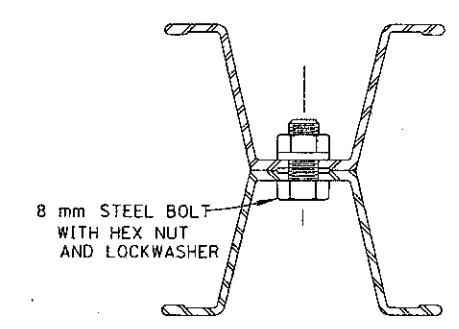


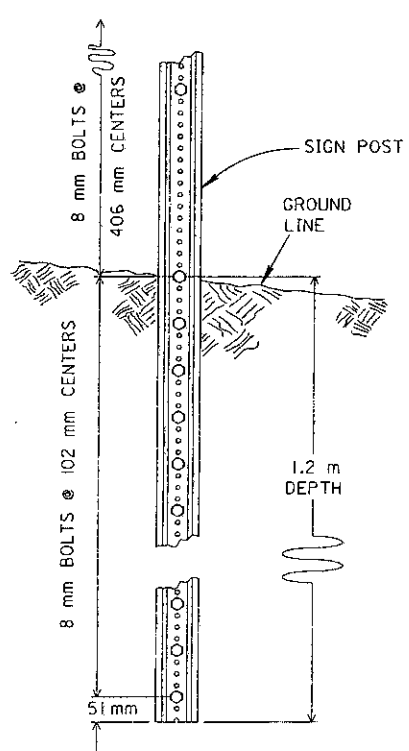
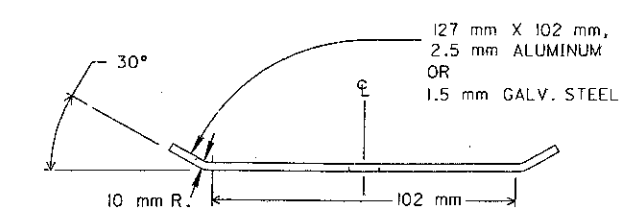
**NOTES**

1. NUMBER 4 TYPE P AND F POST, AND NUMBER 6 TYPE P AND F POST, SHALL ONLY BE INSTALLED IN PROTECTED LOCATIONS (e.g. BEHIND GUARDRAIL). TWO POST INSTALLATIONS OF NUMBER 4 TYPE S POST SHALL BE INSTALLED IN PROTECTED LOCATIONS.
2. USE OF ANCHOR BASE WITH SQUARE POST IS OPTIONAL.
3. SQUARE POST MAY HAVE DIE-CUT KNOCKOUTS OR OPEN HOLES.

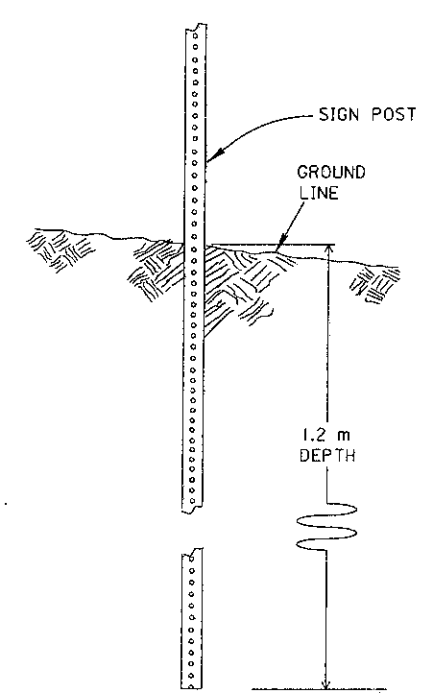
POST NO.	TYPE	Kg/m	POST DIMENSIONS MILLIMETERS			ANCHOR DIMENSIONS			NUMBER OF POSTS PERMITTED IN SEVEN FOOT PATH IN EXPOSED LOCATIONS.
			A	B	C	A	B	C	
1	F	1.7	22	52	21				
	P	3.0	37	78	33				2
2	F	3.0	39	79	32				2
	S		51	51	2.1	57	57	2.7	2
3	P	4.5	48	89	33				2
	F	4.5	44	89	41				2
4	S		51	51	2.1	57	57	2.7	2
	P	6.0	TWO NO.2 POST						0
5	F	6.0	TWO NO.2 POST						0
	S		63	63	2.7	76	76	4.8	1
6	P	9.0	TWO NO.3 POST						0
	F	9.0	TWO NO.3 POST						0



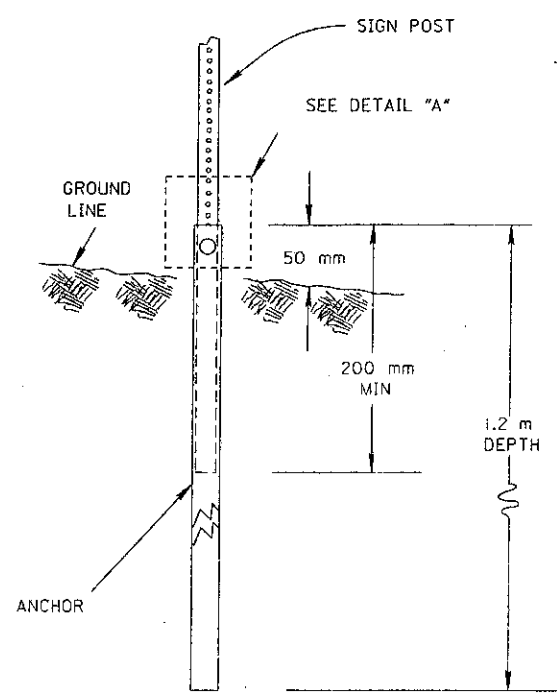
**U - CHANNEL SIGN ATTACHMENT DETAIL**



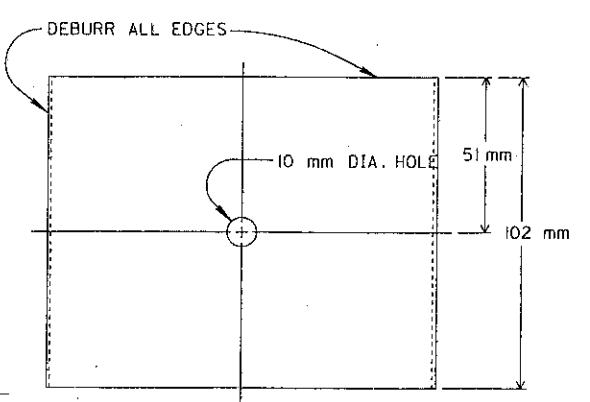
**TYPICAL U - CHANNEL DRIVEN INSTALLATION**



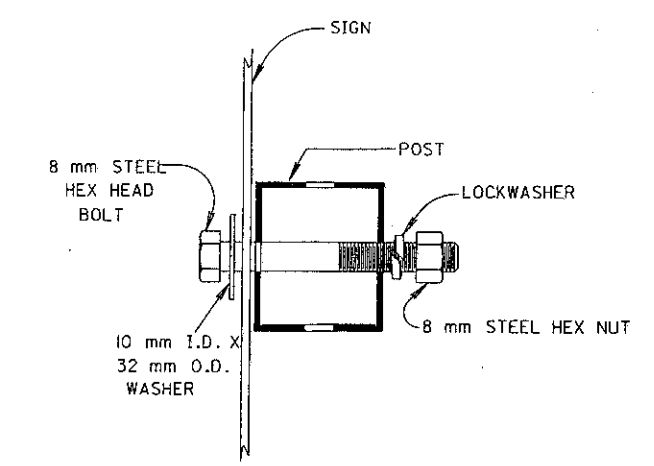
**TYPICAL SQUARE POST DRIVEN INSTALLATION**



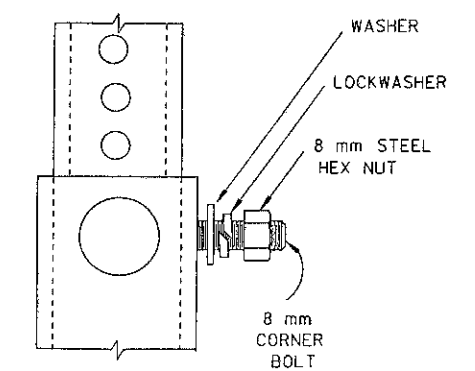
**TYPICAL SQUARE POST ANCHOR BASE INSTALLATION**



**BEARING PLATE**



**SQUARE POST SIGN ATTACHMENT DETAIL**



**DETAIL "A"**

<b>M E T R I C</b>	
BUREAU OF DESIGN SERVICES DIVISION OF HIGHWAYS OHIO DEPARTMENT OF TRANSPORTATION	
TRAFFIC CONTROL	DATE 07/01/94
YIELDING POST	
STANDARD CONSTRUCTION DRAWING	TC-41.20M
APPROVED: <i>[Signature]</i> ENGR. OF DESIGN SERVICES	