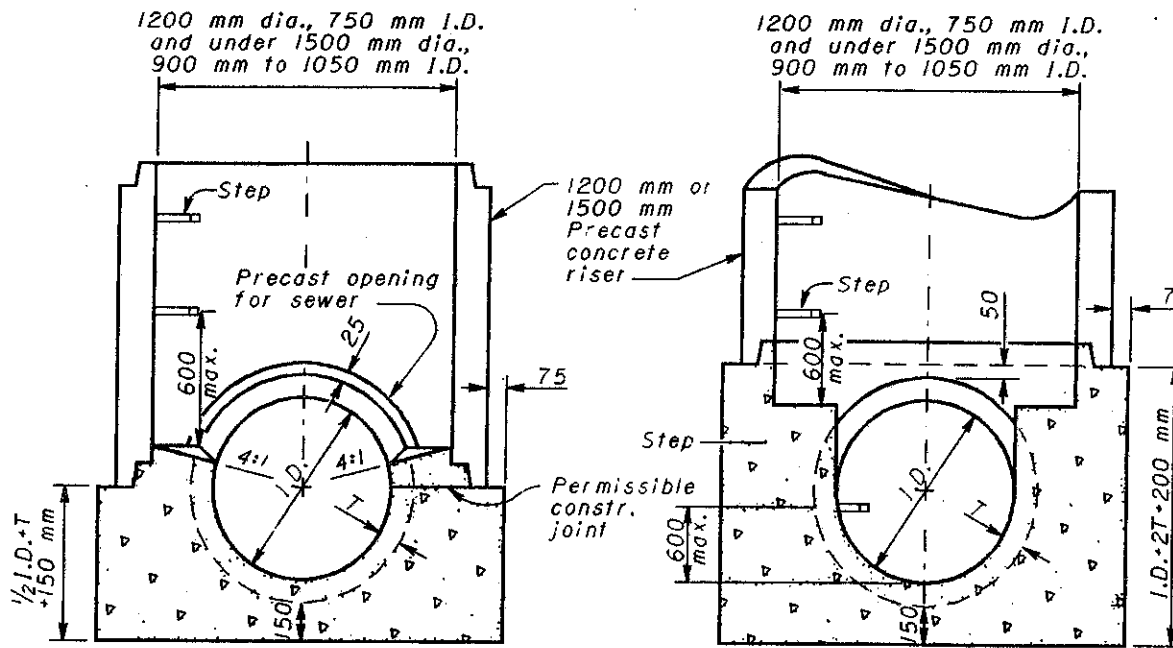
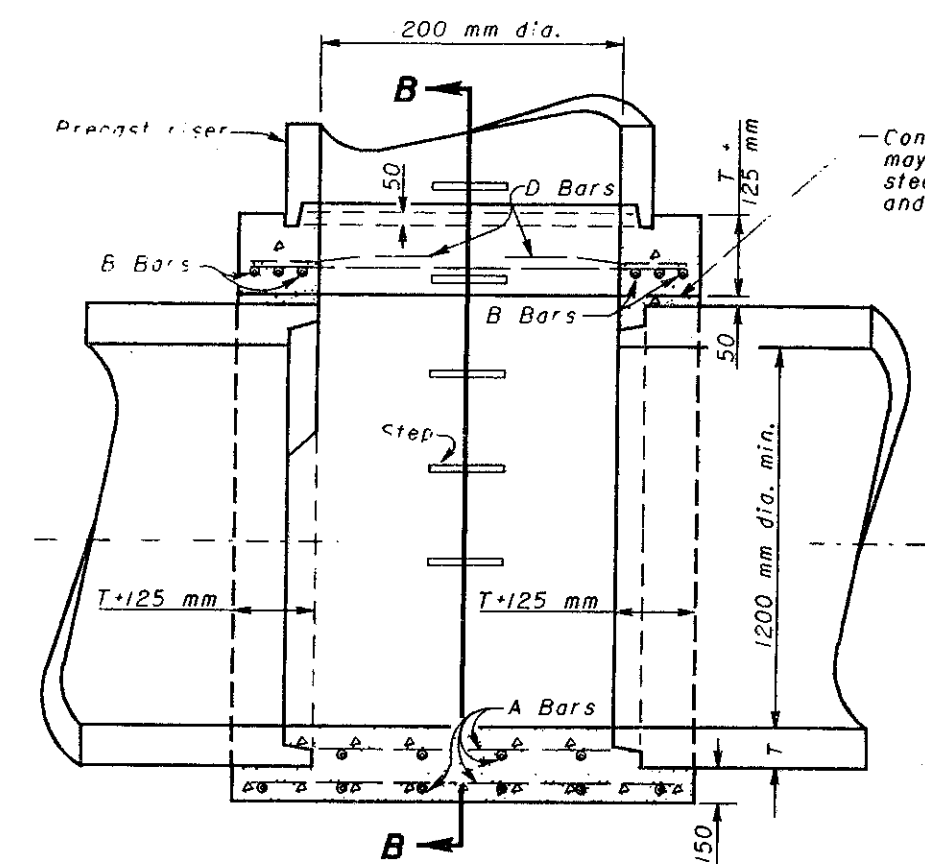


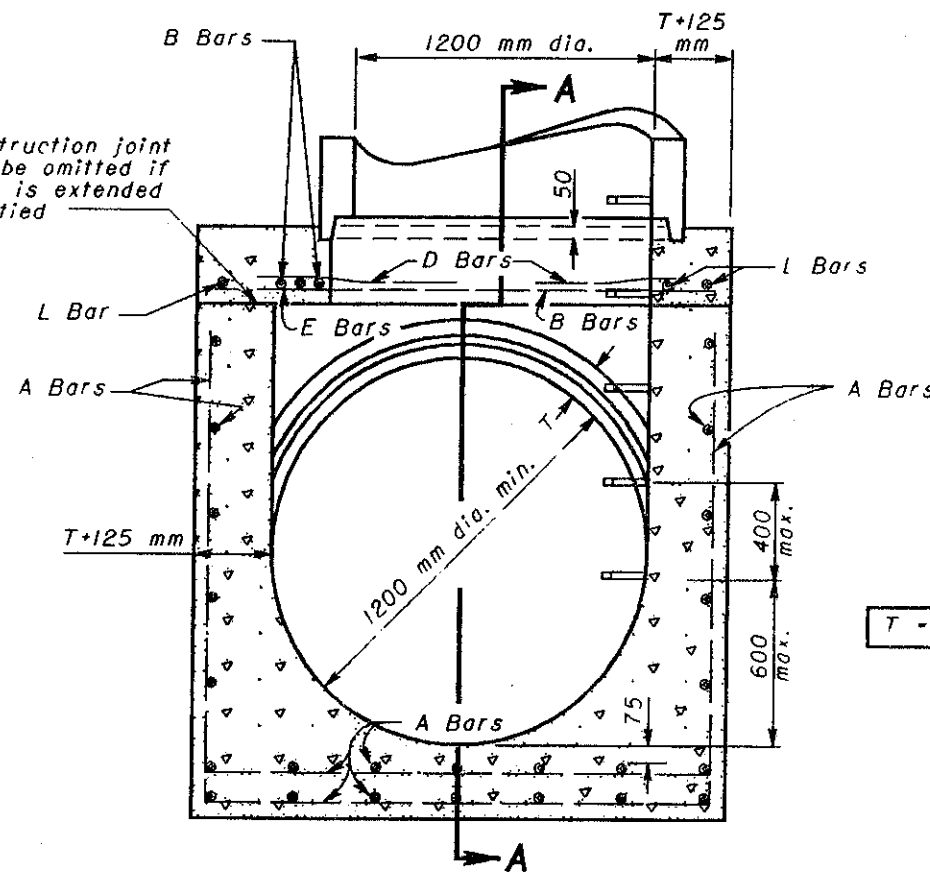
PLAN VIEW



MANHOLE BASE ON SEWER 1050 mm AND UNDER



SECTION A-A



SECTION B-B

MANHOLE BASE ON SEWER 1200 mm AND OVER

**NOTES**

**MANHOLE:** Manhole No. 5 shall consist of a base or bottom as detailed hereon and other manhole components as detailed or specified on Std. Constr. Dwg. MH-1.2M.

In lieu of the tongue and groove junction between the riser and the base, the base may have a flat surface and the riser may have a square end set in a bed of mortar on the base.

**OPENINGS:** Openings for 1050 mm and under inlet and outlet sewer pipes shall be prefabricated in the riser section unless the manhole base is built to an elevation 50 mm above the top of the inlet and outlet pipes.

**CONCRETE:** Concrete for the bases may be Class C or meet the requirements of CMS 706.13. The bases may be precast or cast in place. If precast, the base on sewers 1050 mm and under shall have sufficient steel reinforcement to permit shipping and placement without damage to the base. The base on sewers 1200 mm and over shall be reinforced as shown.

**STEPS:** Steps shall comply with the requirements set forth on MH-1.1M.

REINFORCING STEEL LIST				
Bar	Spacing	Bar sizes for sewers		
		1200-1500 mm	1650-1950 mm	2100-2400 mm
A	300 mm c/c bothways	#15M	#20M	#25M
B	75 mm c/c bothways	#15M	#20M	#25M
L	as shown	#15M	#20M	#25M
D	as shown	#15M	#15M	#15M
E	300 mm c/c	#15M	#15M	#15M

Included for estimating purposes only. The cost of furnishing and placing all reinforcing steel shall be included in Item 604 for payment.

All dimensions are in millimeters unless otherwise noted.



T - Wall thickness of intercepting sewer pipe

This Drawing Replaces MH-5.

OFFICE OF ROADWAY ENGINEERING  
OHIO DEPARTMENT OF TRANSPORTATION

**MANHOLE No. 5**

DATE  
9-6-95

STANDARD CONSTRUCTION DRAWING **MH-1.3M**

APPROVED *D.K. Hulman, P.E.*  
ADMINISTRATOR