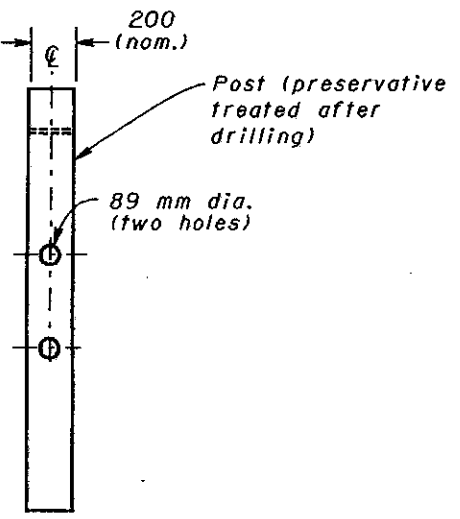
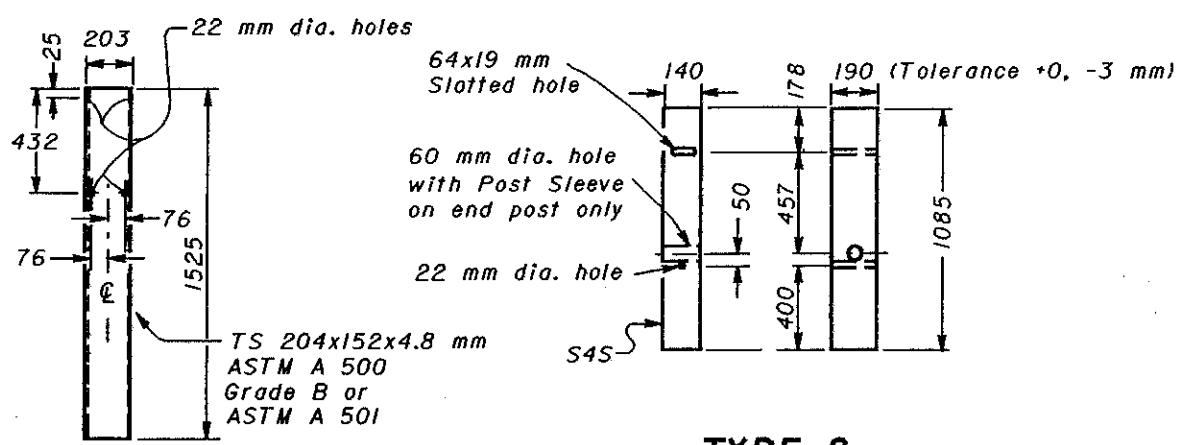


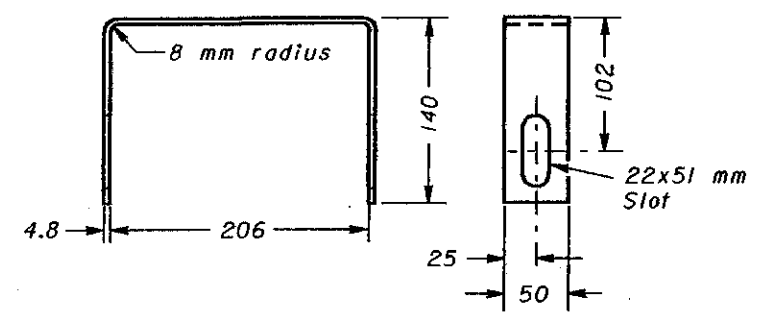
TYPE 1 BREAKAWAY POST



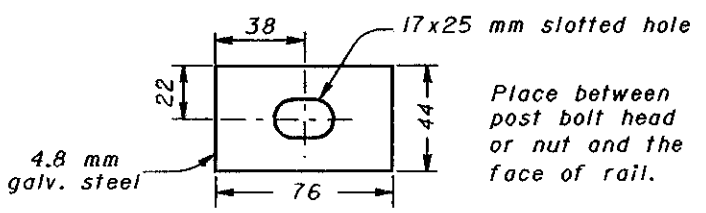
STEEL TUBE



TYPE 2 BREAKAWAY POST

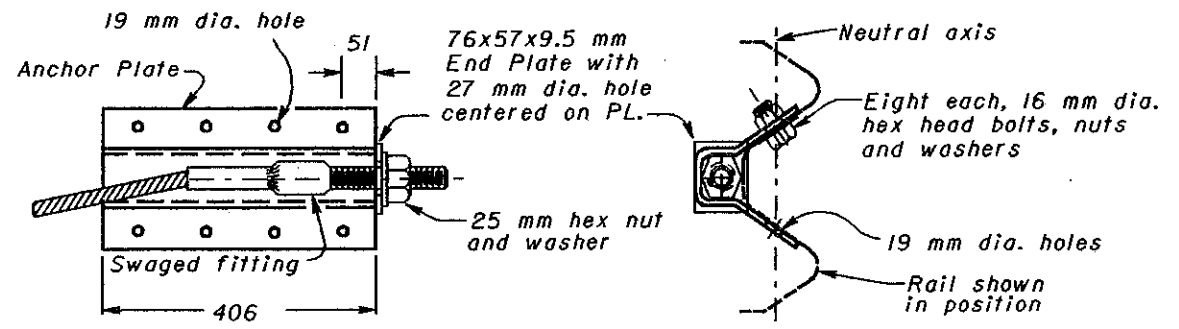


YOKE DETAILS

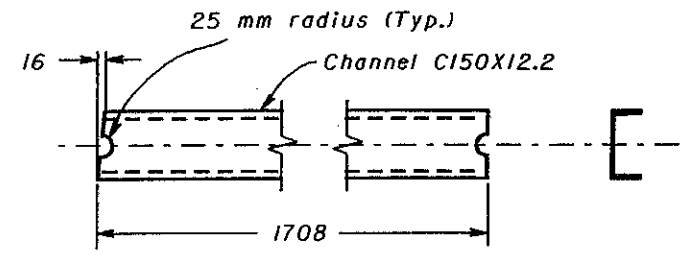


RECTANGULAR WASHER

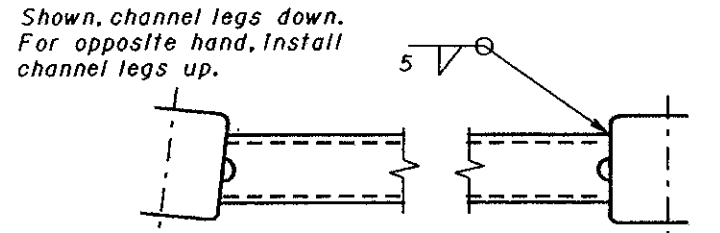
(Not to be used in typical Type 4, 5 or 5A guardrail installations. Use only where specified.)



ANCHOR PLATE ASSEMBLY DETAILS

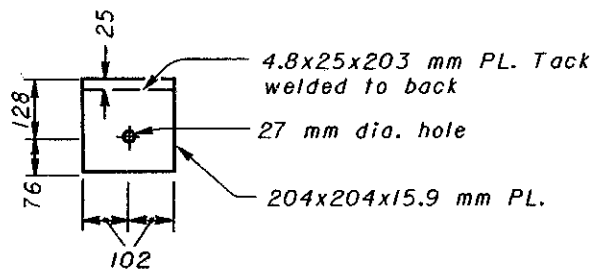


STRUT DETAILS

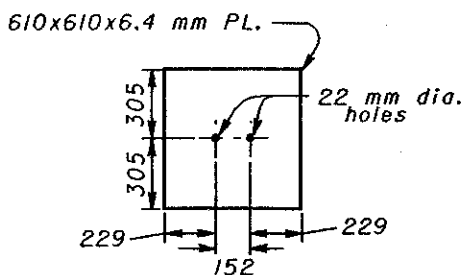


STRUT AND YOKE ASSEMBLY

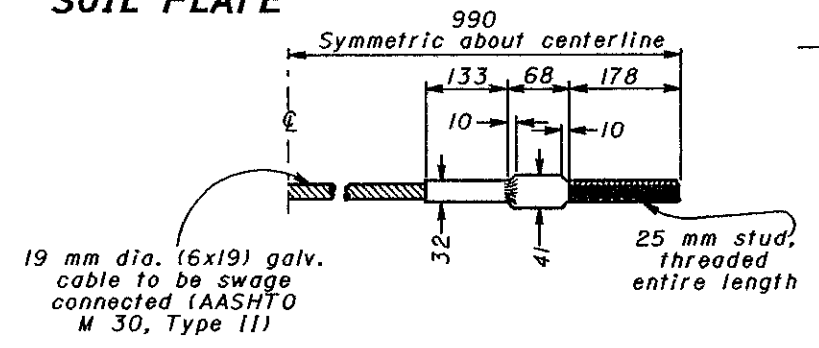
All dimensions are in millimeters unless otherwise noted.



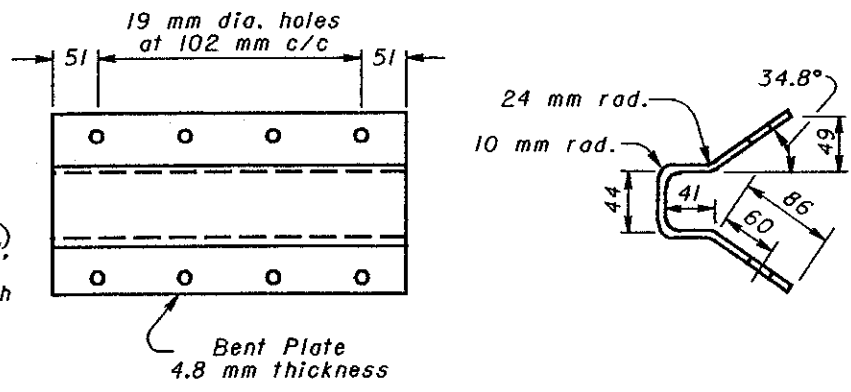
BEARING PLATE



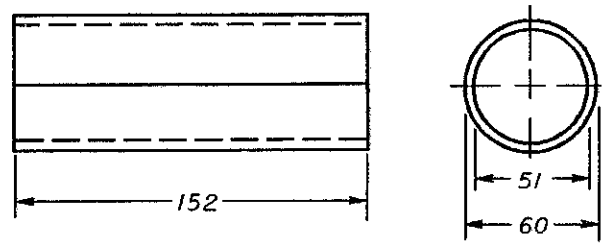
SOIL PLATE



STANDARD SWAGED FITTING AND STUD CABLE ASSEMBLY



ANCHOR PLATE



POST SLEEVE



BUREAU OF LOCATION AND DESIGN OHIO DEPARTMENT OF TRANSPORTATION	
GUARDRAIL DETAILS	DATE 11-30-94
STANDARD CONSTRUCTION GR-1.3M DRAWING	
APPROVED <i>R. K. Hulman</i> ENGR., L & D	