

JUTE MATTING INSTALLATION

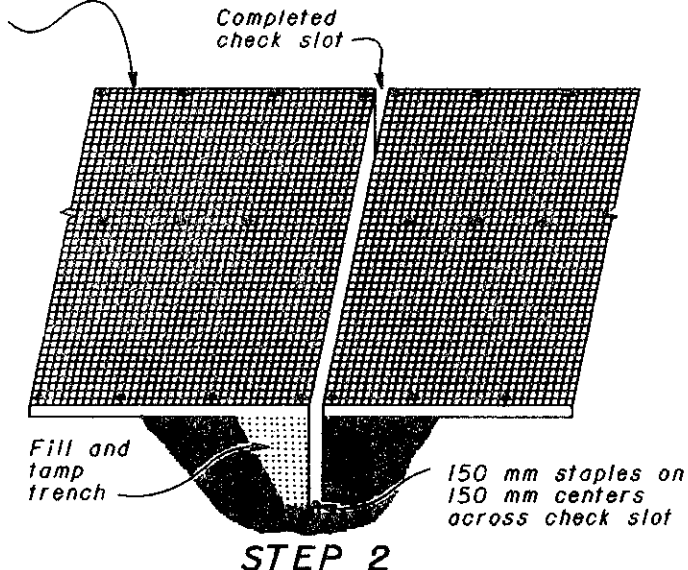
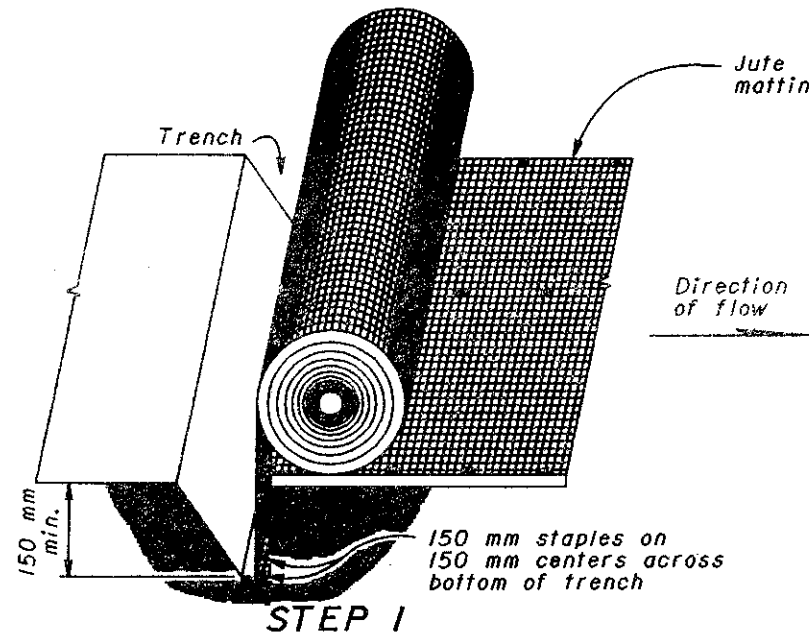
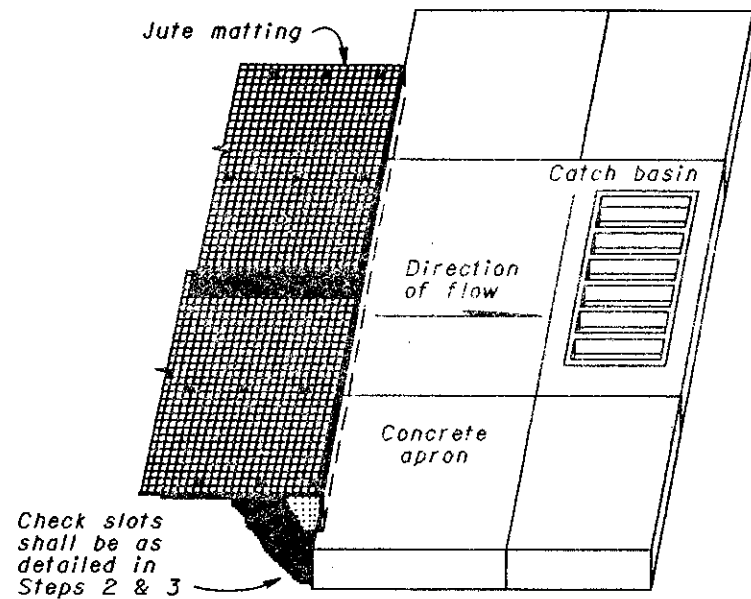
NOTES

GENERAL: The details shown hereon shall govern the installation of jute and excelsior matting unless otherwise shown in the plan.

END OF RUN: Jute matting shall have a check slot and be stapled in the slot as shown in Step 4. Matting placed for ditch protection shall start from the downstream end, as shown in Step 1.

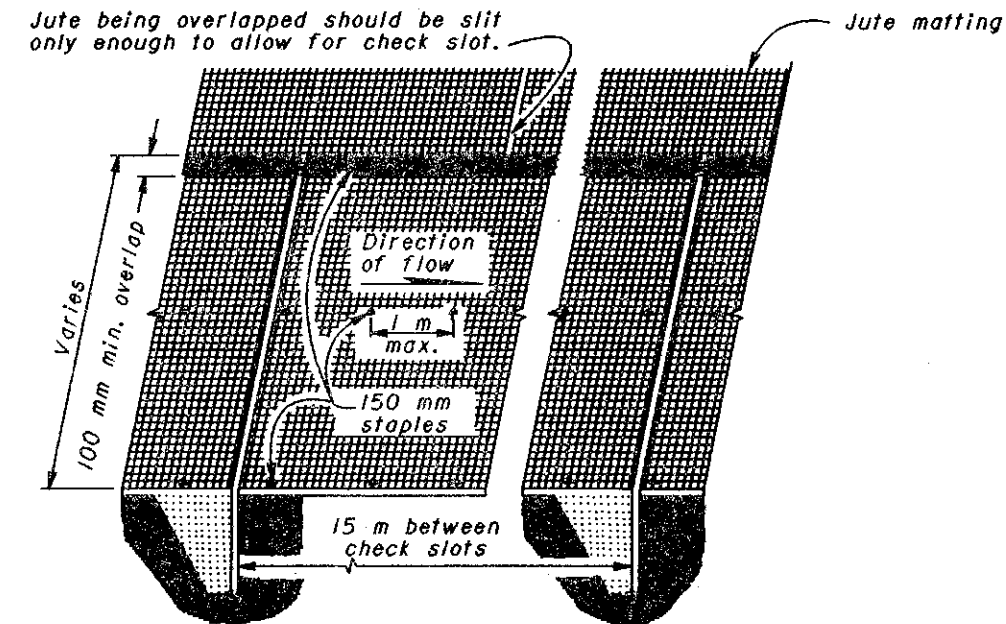
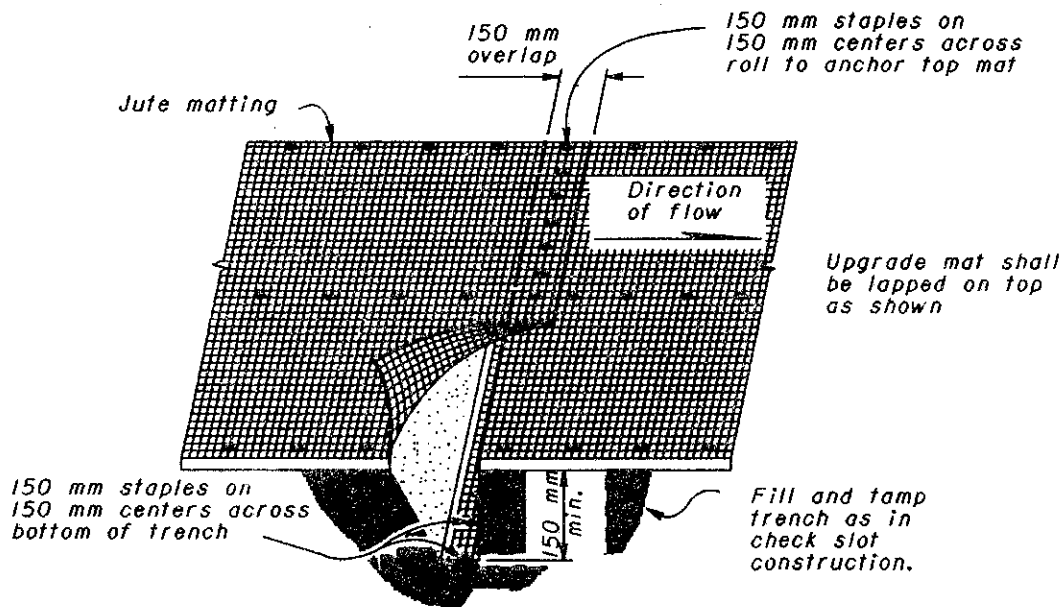
EXCELSIOR MATTING: Matting shall be stapled as detailed for jute matting except the roll ends and 50 mm end overlaps shall be stapled on 150 mm centers without a buried end; and a 150 mm overfold shall be placed across long rolls at intervals of 15 m or less and stapled on 150 mm centers.

STAPLES: Staples shall be in accordance with CMS 667.02.



CHECK SLOT AT STRUCTURES

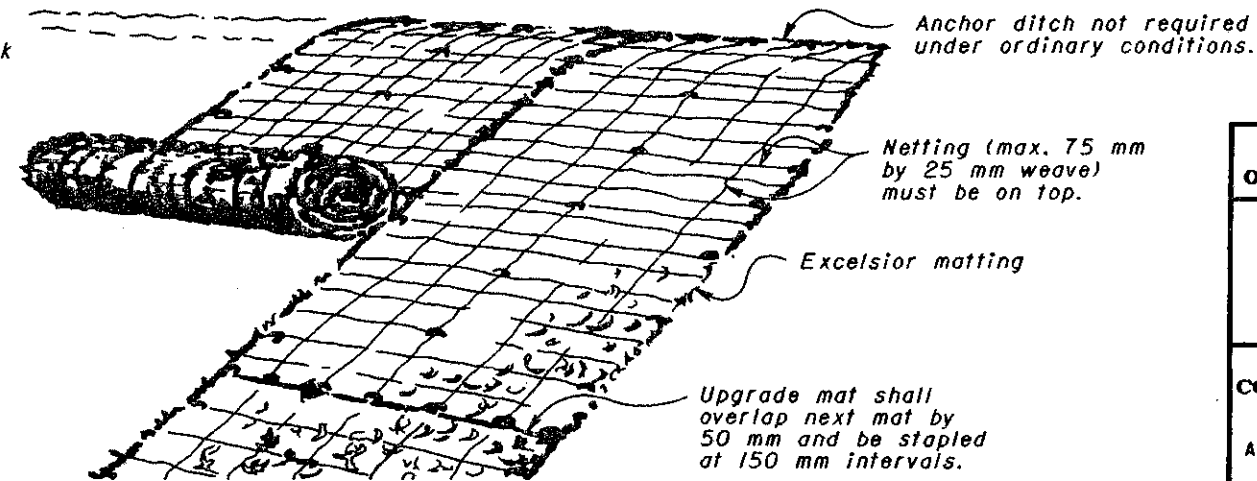
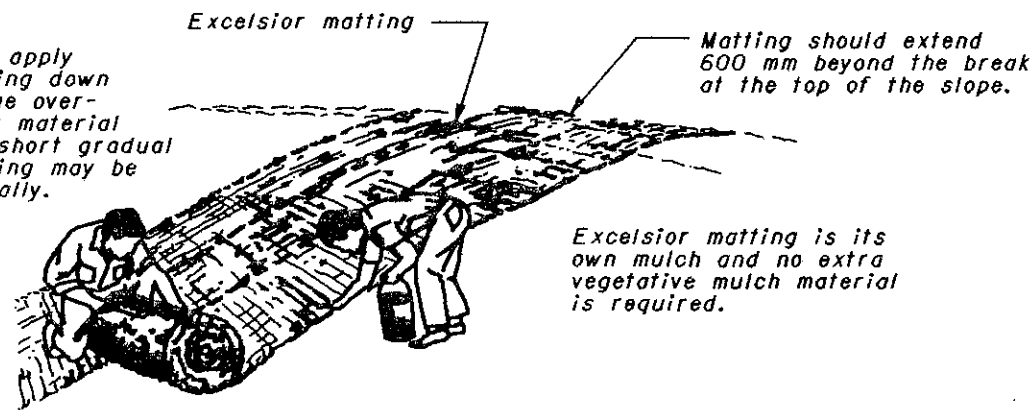
CHECK SLOT CONSTRUCTION DETAILS



END OF ROLL OVERLAP

TYPICAL INSTALLATION

On steep slopes apply matting by backing down hill, keeping edge overlapping adjacent material by 50 mm. On short gradual slopes, the matting may be applied horizontally.



EXCELSIOR MATTING INSTALLATION



This Drawing Replaces MC-10.

BUREAU OF LOCATION AND DESIGN
OHIO DEPARTMENT OF TRANSPORTATION

JUTE & EXCELSIOR MATTING

DATE
6-30-95

STANDARD CONSTRUCTION DRAWING **DM-4.2M**

APPROVED *D. K. Hulman*
ENGR., L & D