

# CATCH BASINS No. 4A, No. 5A, and No. 8A

## NOTES

**DESIGN:** The lower box, shown hereon, is designed for use with the upper boxes of Std. Constr. Dwg. CB-3.1M, CB-3.2M, and CB-3.3M (shown). See the appropriate Drawing for specific details.

**WALLS:** Brick or cast-in-place walls shall have a nominal thickness of 200 mm from the bottom slab to the upper box. Precast walls shall have a minimum thickness of 150 mm and be reinforced sufficiently to permit shipping and handling without damage.

**STEPS:** Steps meeting the requirements of Std. Constr. Dwg. MH-1.1M shall be provided where the depth exceeds 1.8 m.

**BASINS OVER 3.5 m IN DEPTH:** Shall be precast or cast-in-place concrete; reinforced with #15M bars on 300 mm centers both vertically and horizontally with 50 mm clearance from inside wall face.

**LOCATION AND ELEVATION:** When given on the plans, the location is the center of the grate. The elevation is the lowest point on the grate.

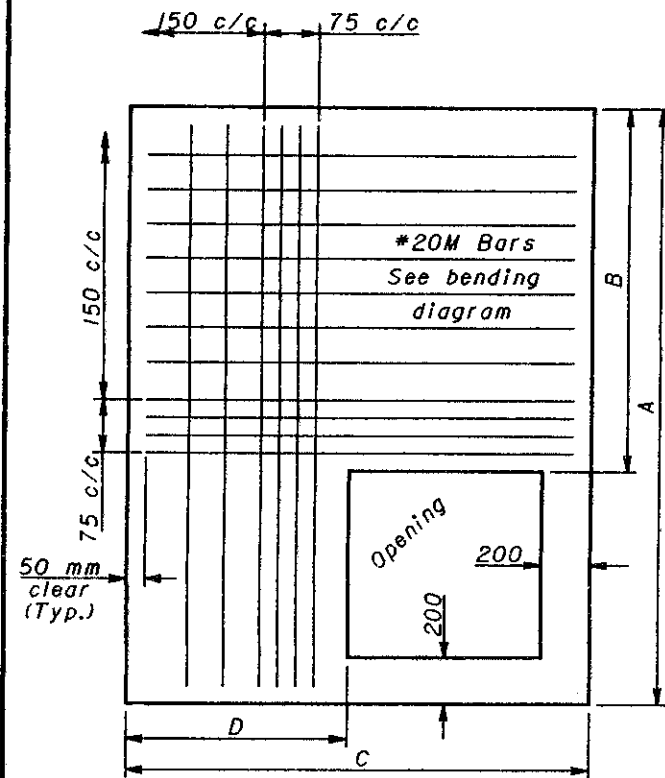
**OPENINGS:** Pipe openings shall be the outside diameter of the pipe being supplied plus 50 mm when prefabricated or field cut. The interstitial space shall be filled with grout per CMS 601.

**CONCRETE APRONS:** Aprons are to be constructed in such a manner that the outside edges are at equal elevation.

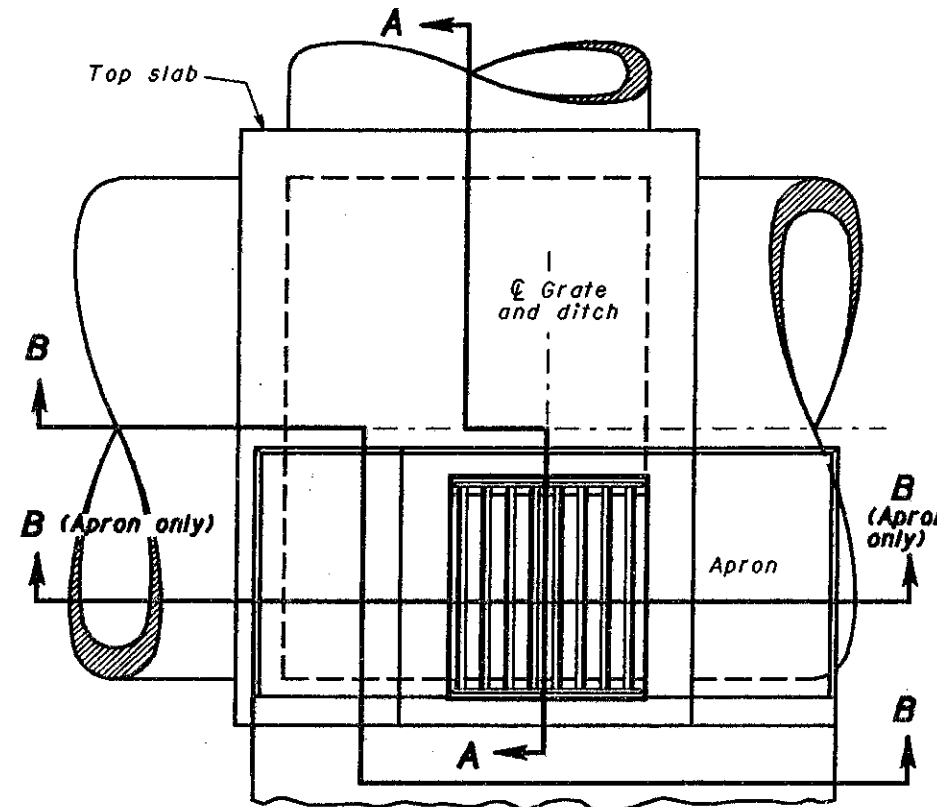
**DITCH PROTECTION:** Provide a 50 m length of ditch erosion protection as shown. Installation and payment for ditch erosion protection shall comply with CMS 670.

**BASINS IN SAG:** When in a sag, omit the earth dike and longitudinal slope of the grate, and provide concrete and ditch protection on each side of the basin.

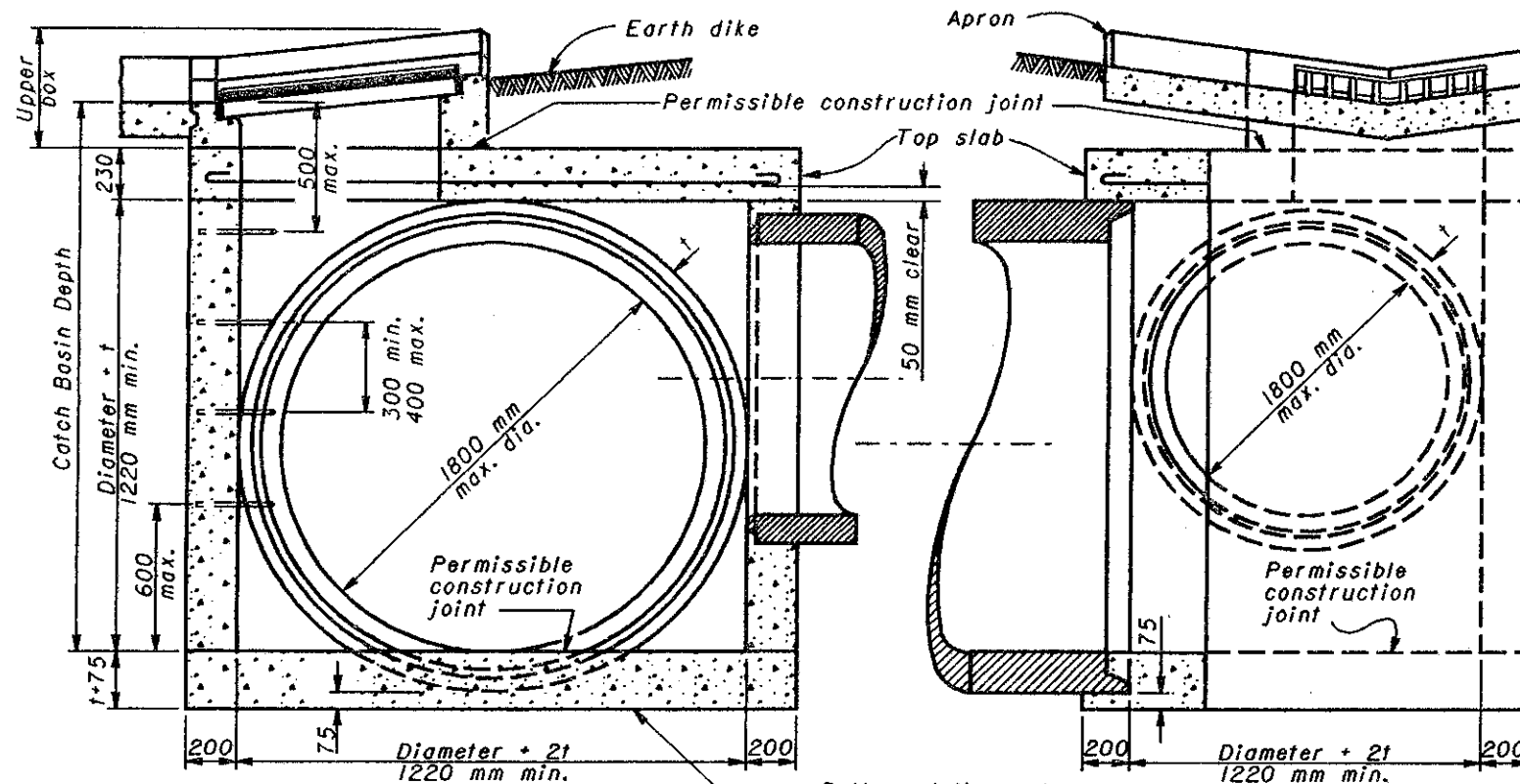
**COST:** The concrete apron or grouted riprap and dike shall be considered incidental to Item 604, Catch Basins. However, the apron is not required when Item 604, Catch Basins, Without Apron is specified.



TOP SLAB DETAIL

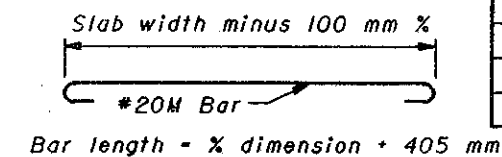


PLAN

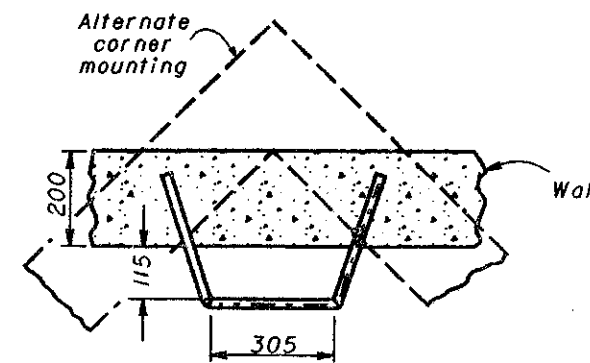


SECTION A-A

SECTION B-B



BENDING DIAGRAM



Length before bending: 965 mm

STEP DETAIL

PIPE DIAMETER	TOP SLAB DIMENSIONS (in millimeters)					
	CB-5A & 8A		CB-4A			
	A or C	B or D	A	B	C	D
Under 1050	1625	600	1625	600	2025	200
1050	1700	675	1700	675	2025	200
1200	1875	875	1875	875	2025	200
1350	2050	1050	2050	1050	2050	225
1500	2250	1225	2250	1225	2225	400
1650	2425	1400	2425	1400	2425	575
1800	2600	1575	2600	1575	2600	750

All dimensions are in millimeters unless otherwise noted.



This Drawing Replaces CB-458A.

BUREAU OF LOCATION AND DESIGN  
OHIO DEPARTMENT OF TRANSPORTATION

CATCH BASINS  
No's 4A, 5A, 8A

DATE  
7-12-95

STANDARD  
CONSTRUCTION  
DRAWING  
CB-3.4M

APPROVED *W. K. Hulman*  
ENGR., L & D