

SEEDING
END WIDTH SO. YDS.

END AREA VOLUME
CUT FILL CUT FILL
CALCULATED CHECKED

100 80 60 40 20 0 20 40 60 80 100 120

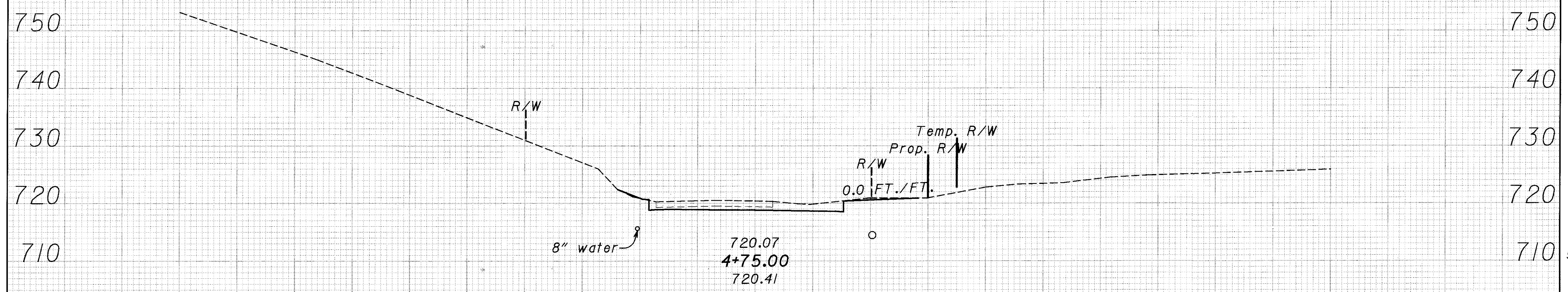
29

97

37

115

46

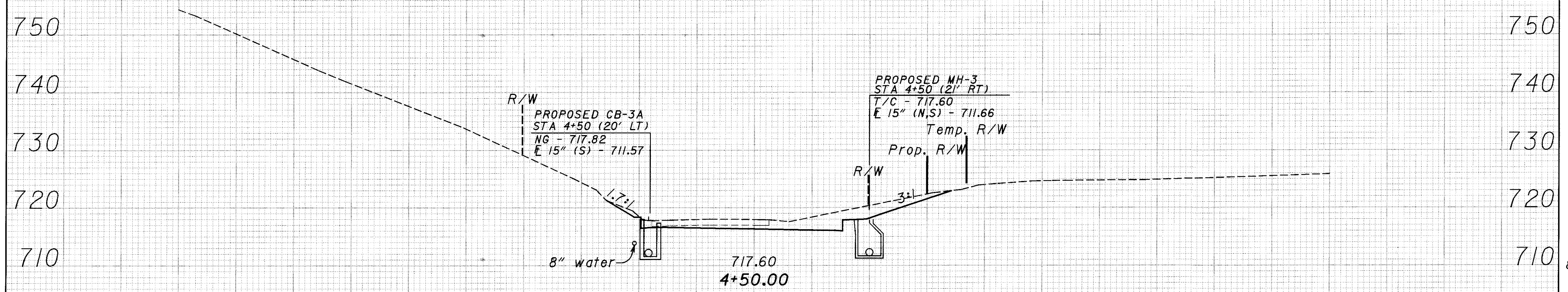


720.07
4+75.00
720.41

750
740
730
720
710

52.4 0.5

65 0



R/W
PROPOSED CB-3A
STA 4+50 (20' LT)
NG - 717.82
E 15° (S) - 711.57

PROPOSED MH-3
STA 4+50 (21' RT)
T/C - 717.60
E 15° (N,S) - 711.66
Temp. R/W
Prop. R/W

717.60
4+50.00

750
740
730
720
710

87.8 0.0

122 2

100 80 60 40 20 0 20 40 60 80 100 120

STA. 4+25.00
212 SHEET TOTAL

SHEET TOTAL

187 2

CROSS SECTIONS
CENTER STREET

LAK-615-1.26

89
160

I:\PROJECTS\PI\121790\dgn\121790gxb.dgn 06-NOV-2000 12:48PM jgr.moise