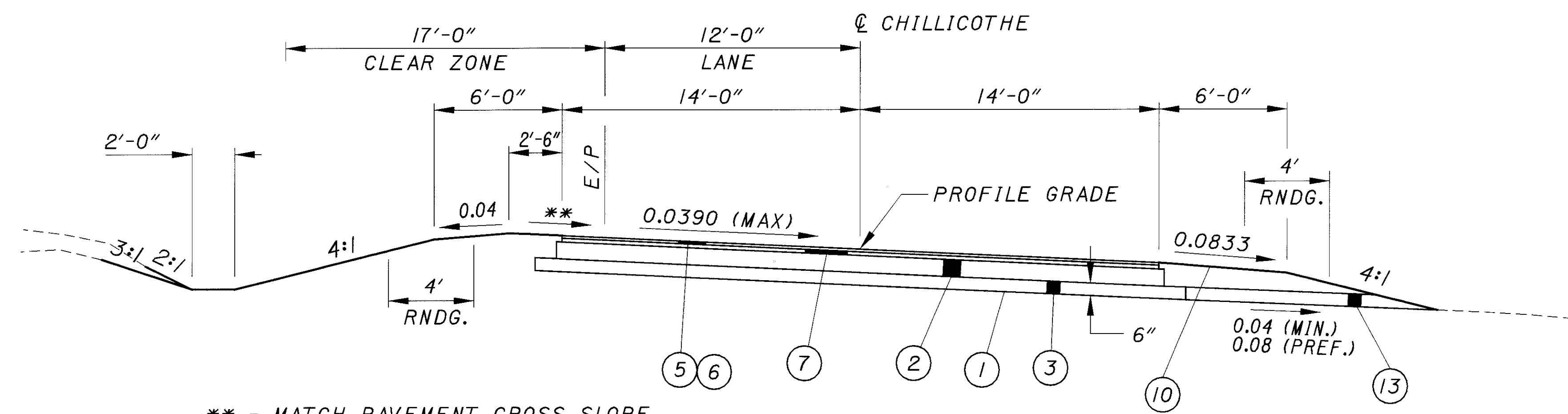


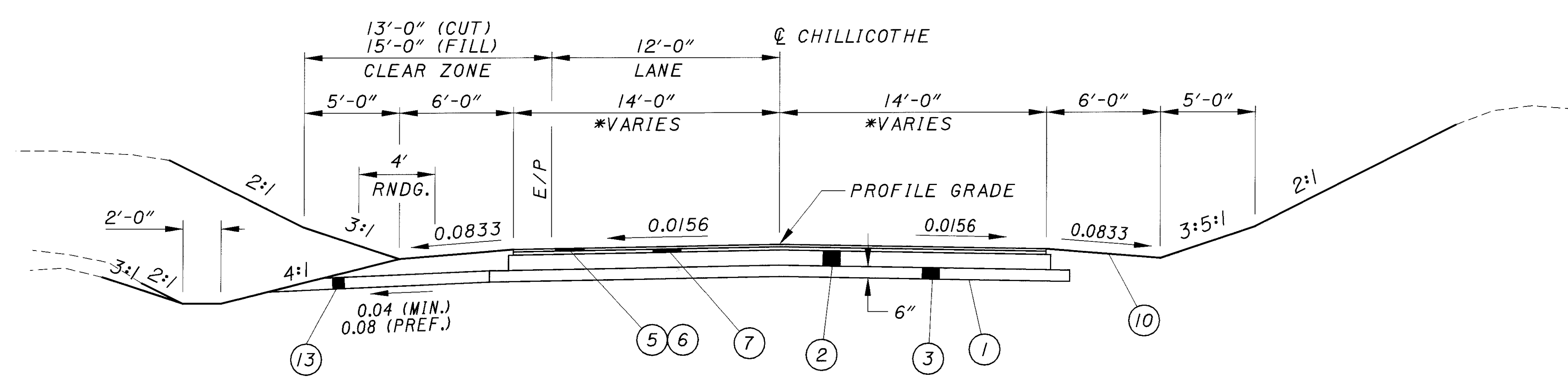
NORMAL SECTION - SR 615 (CHILICOTHE)
 STA. 10+00 TO STA. 11+25 = 125 LIN. FT.



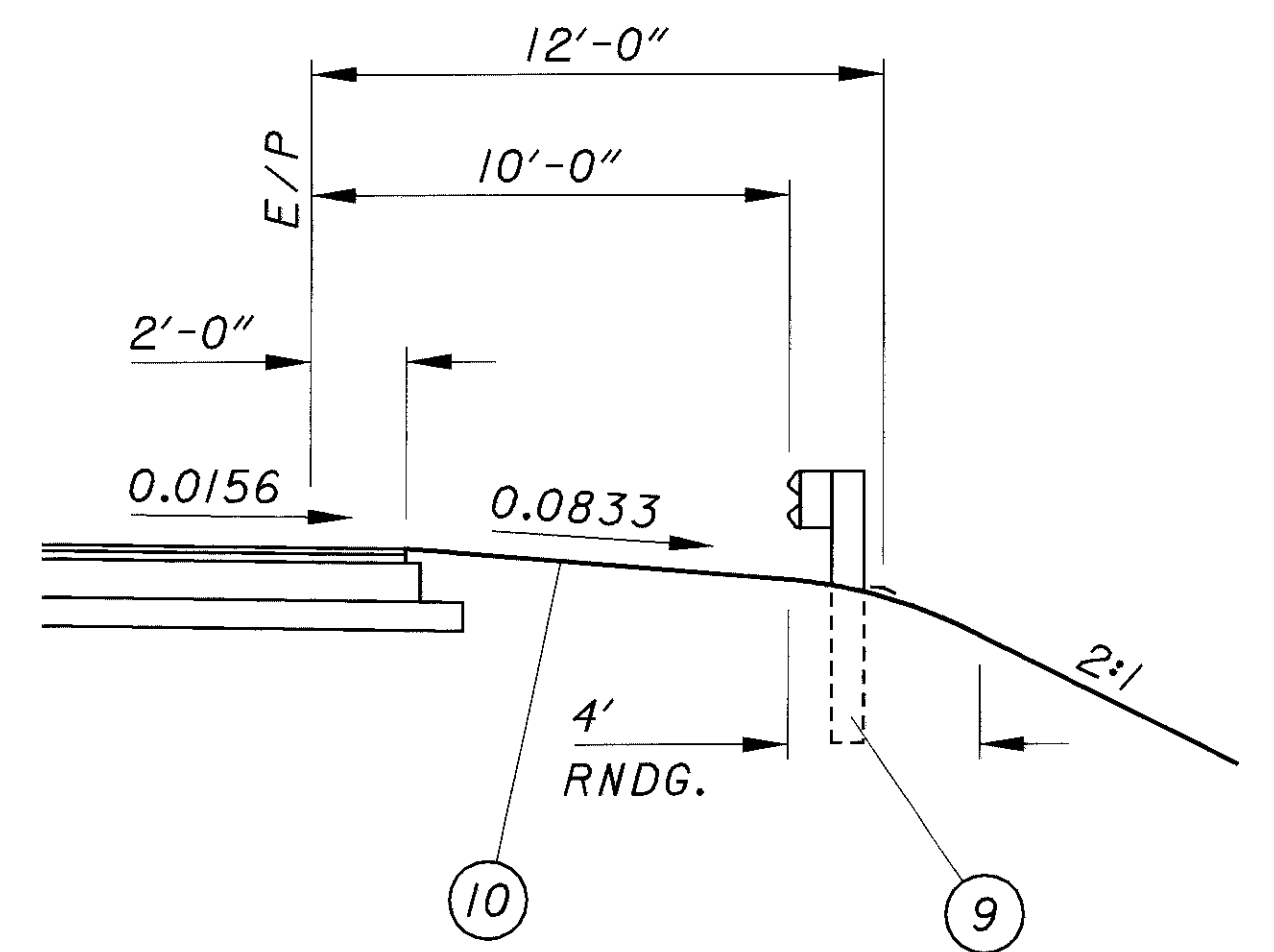
SUPERELEVATED SECTION - SR 615 (CHILICOTHE)
 STA. 11+25 TO STA. 19+50 = 825 LIN. FT.

** - MATCH PAVEMENT CROSS SLOPE

✱ - 8' GRADED SHOULDER WIDTH REQUIRES DESIGN EXCEPTION. NORMAL DESIGN CRITERIA = 10'.



NORMAL SECTION - CHILICOTHE
 STA. 19+50 TO STA. 30+00 = 1050 LIN. FT.
 *VARIES - 14' TO 12' FROM STA. 29+50 TO STA. 30+00



GUARDRAIL SECTION - CHILICOTHE
 STA. 24+25 TO STA. 26+50

- PROPOSED LEGEND**
- ① ITEM 203-SUBGRADE COMPACTION
 - ② ITEM 301-8" BITUMINOUS AGGREGATE BASE PG64-22
 - ③ ITEM 304-AGGREGATE BASE, AS PER PLAN
 - ④ ITEM 451-9" REINFORCED CONCRETE PAVEMENT
 - ⑤ ITEM 407-TACK COAT, FOR INTERMEDIATE COURSE
 - ⑥ ITEM 448-1 1/4" ASPHALT CONCRETE SURFACE COURSE, TYPE 1, PG64-22, AS PER PLAN
 - ⑦ ITEM 448-1 3/4" ASPHALT CONCRETE INTERMEDIATE COURSE, TYPE 2, PG64-22
 - ⑧ ITEM 605-6" SHALLOW PIPE UNDERDRAIN WITH FABRIC WRAP
 - ⑨ ITEM 606-GUARDRAIL, TYPE 5
 - ⑩ ITEM 870-SEEDING AND MULCHING
 - ⑪ ITEM 830-CURB, TYPE 2A
 - ⑫ ITEM 830-COMBINATION CURB AND GUTTER, TYPE 2
 - ⑬ ITEM 605-AGGREGATE DRAINS
 - ✱ STANDARD LONGITUDINAL JOINT (WITH TIE BARS)

I:\PROJECTS\12790\dgm\12790gbyb.dgn 08-NOV-2000 11:03AM jgr.mov.se

TYPICAL SECTIONS

LAK-615-1.26