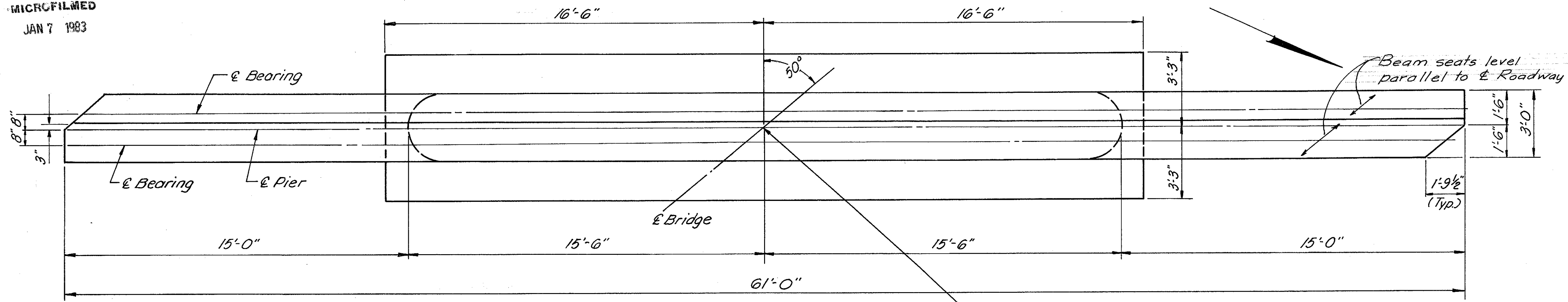


MICROFILMED  
JAN 7 1983

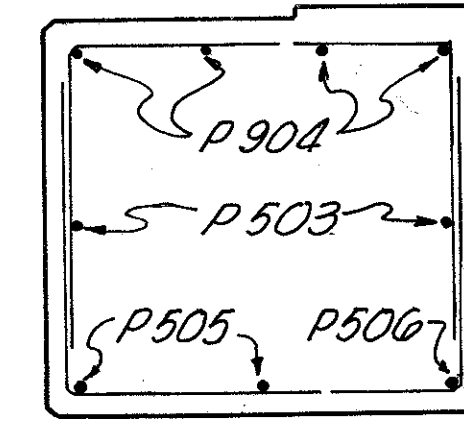
FHWA REGION	STATE	PROJECT
5	OHIO	

21  
32

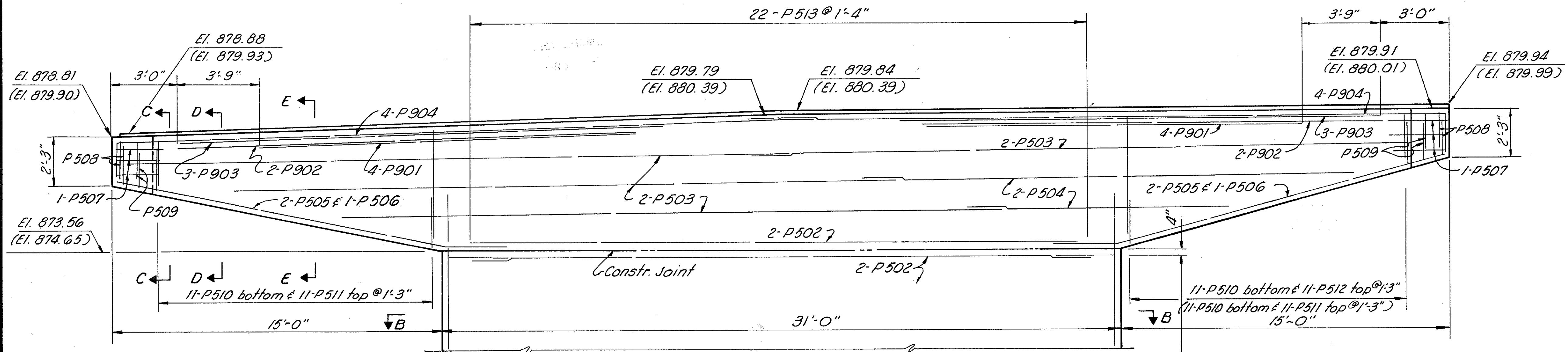
LAKE COUNTY  
LAK- 608-03.35



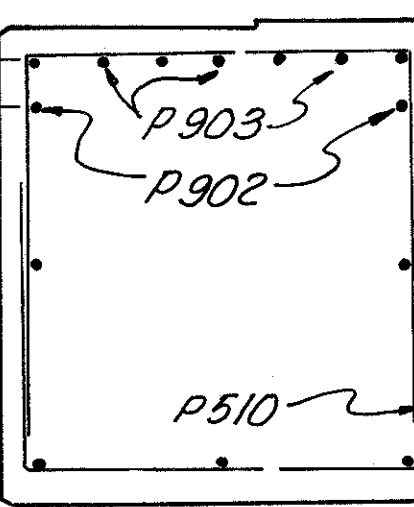
**PLAN**  
(Pier No. 2 shown Pier No. 3 similar)  
Sta. 49+80.93  
(Sta. 50+26.01)



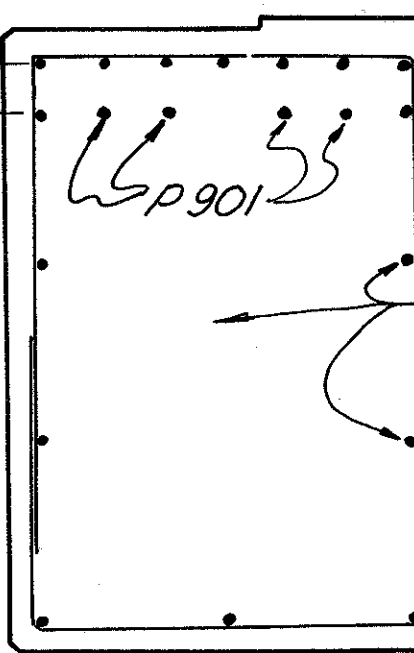
**SECTION C-C**



**SECTION B-B**



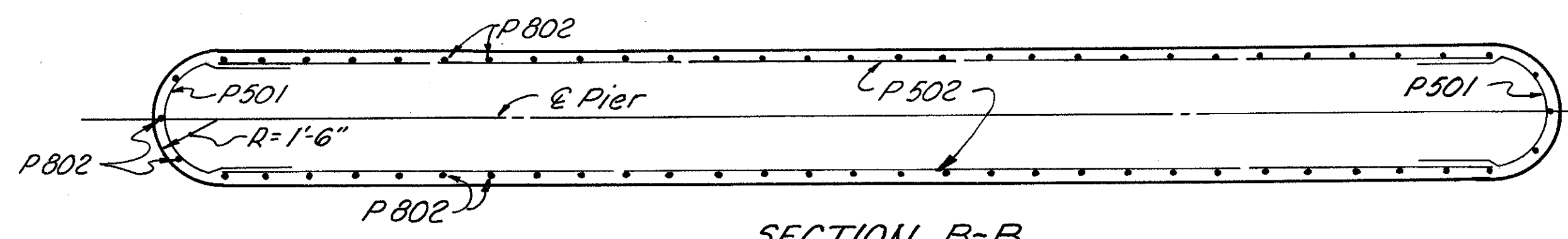
**SECTION D-D**



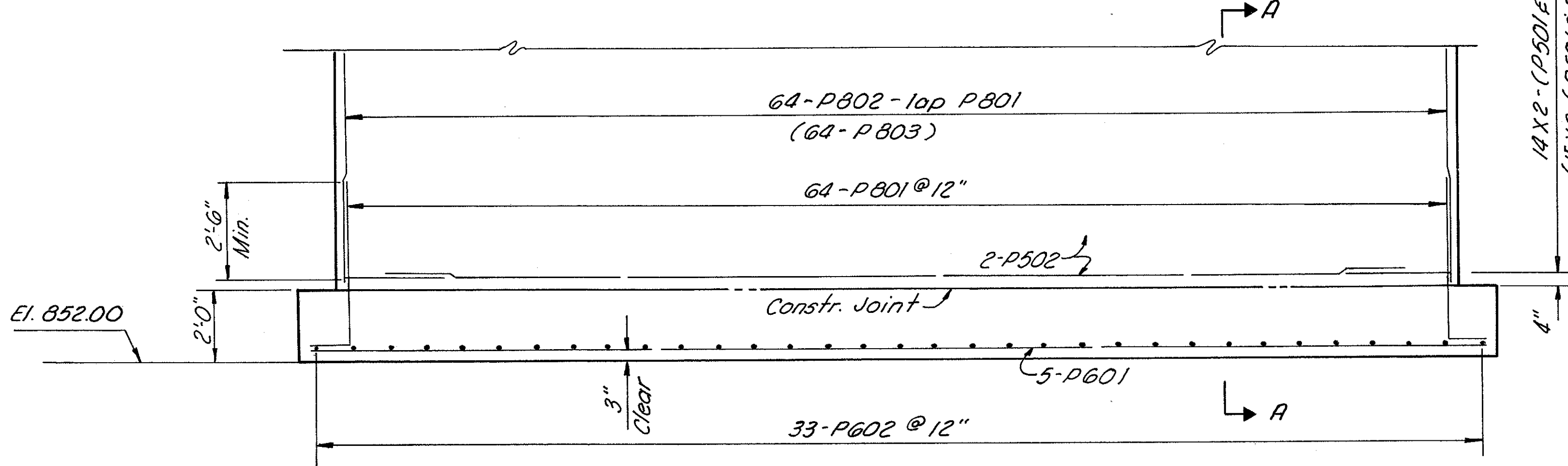
**SECTION E-E**

~NOTES~

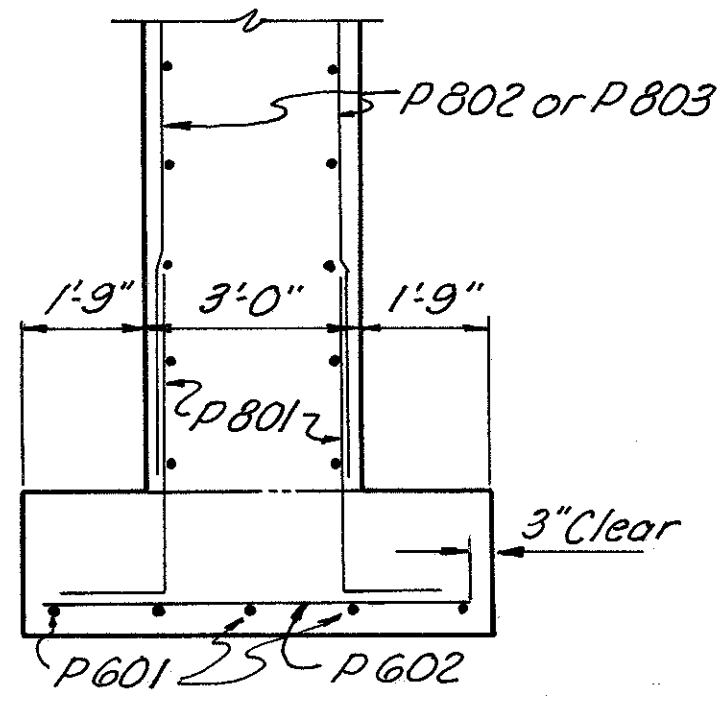
BRIDGE SEAT REINFORCING: Reinforcing steel in the vicinity of the bridge seat shall be accurately placed to avoid interference with the drilling of anchor bar holes.  
All dimensions, bar marks and elevations are for both piers except those shown ( ) are for pier #3 only.



**SECTION B-B**



**ELEVATION**



**SECTION A-A**

ERIKSSON ENGINEERING COLUMBUS OHIO					
PIER NO2 & NO3					
BRIDGE NO LAK- 608-0337					
S.R. 608 OVER CHESSIE SYSTEM					
LAKE CO. STA. 48+94.09 to STA. 51+12.85					
Designed	Drawn	Checked	Reviewed	Date	Revised
V.K.	J.D.	C.E.	bb	11/14/77	