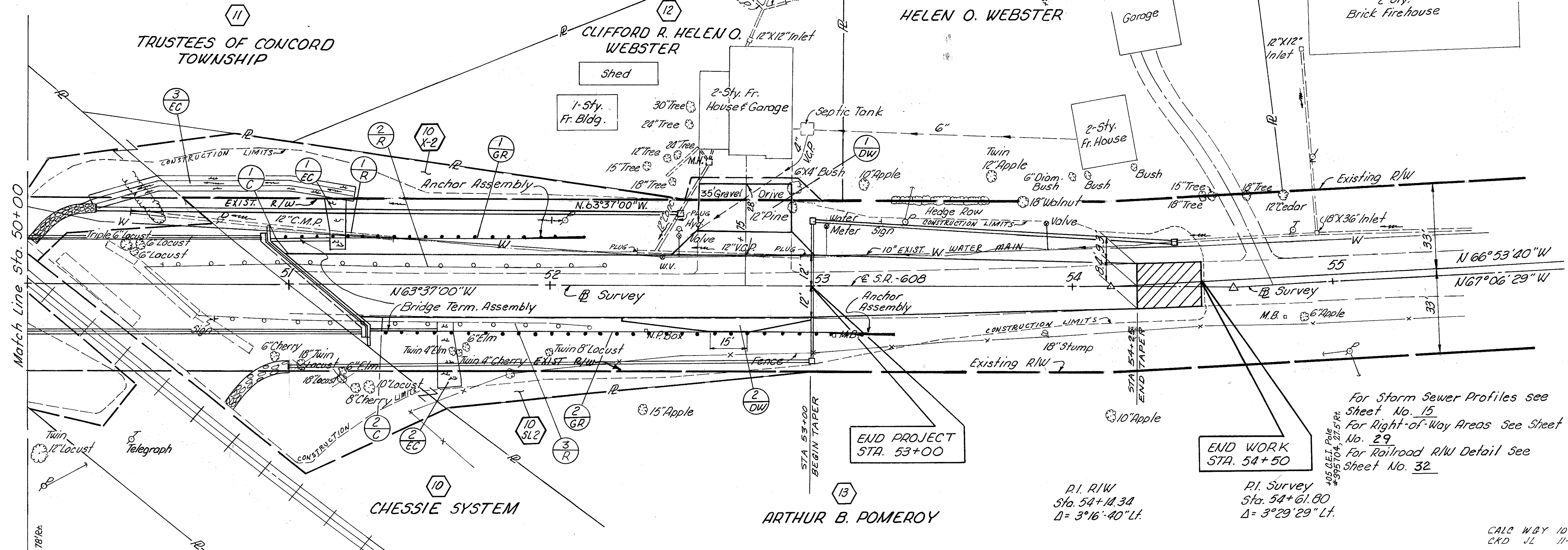
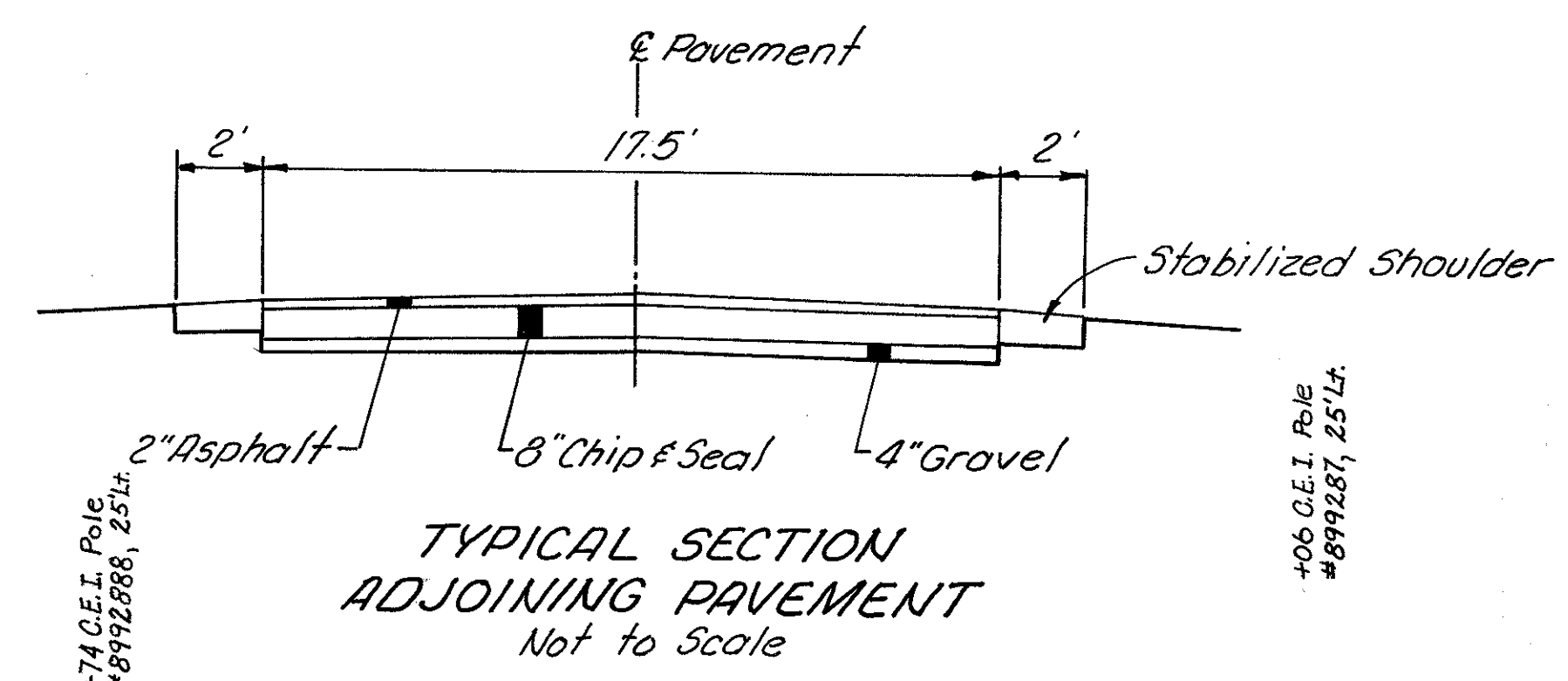


LAKE COUNTY
LAK - 608 - 03.35



For Storm Sewer Profiles see Sheet No. 15
For Right-of-Way Areas See Sheet No. 29
For Railroad R/W Detail See Sheet No. 32

BENCH MARK
#3 - Sta. 53+36 - 25' Lt. R.R. Spike in North Side of Power Pole. Elev. 879.845

Ref. No.	Station to Station	Side	304 Aggregate Base	404 Asphalt Concrete AC-20 (Driveways)	408 Bituminous Prime Coat	606 Guard Rail Type 5	606 Anchor Assembly	606 Bridge Terminal Assembly Type A	606 Reinforced Sodding	606 Sodding	202 Pipe Removed 24\"	609 Curb Type G	202 Guard Rail Removed
			C.Y.	C.Y.	Gal.	L.F.	Each	Each	S.Y.	S.Y.	L.F.	L.F.	L.F.
1-DW	52+75		24	3	20								
2-DW	52+70		6	2	13								
1-GR	50+94.75 ~ 52+19.75					100	1	1					
2-GR	51+33.17 ~ 53+33.17					175	1	1					
1-C	50+94.75 ~ 51+20.75											26	
2-C	51+33.17 ~ 51+59.17											26	
1-EC	51+23								17				
2-EC	51+61								24				
3-EC	50+25 ~ 51+25									67			
1-R	50+40 ~ 51+40										102		
2-R	50+45 ~ 52+20												175
3-R	50+32 ~ 52+15												183
Total			30	5	33	275	2	2	41	67	102	52	358