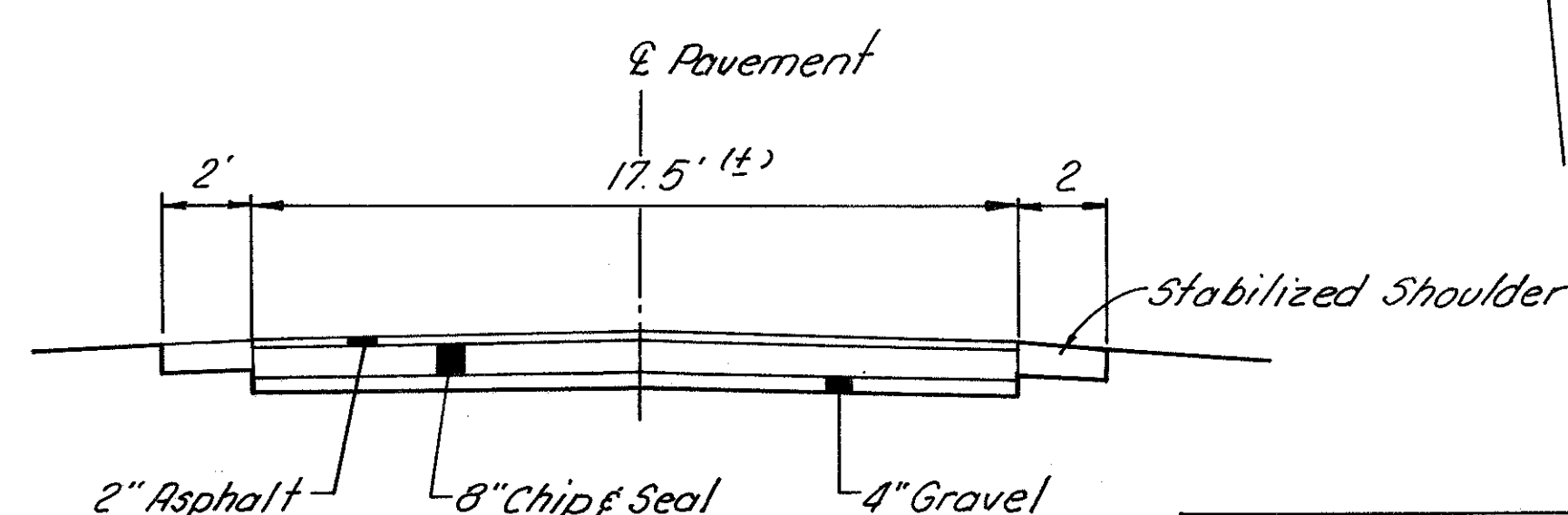
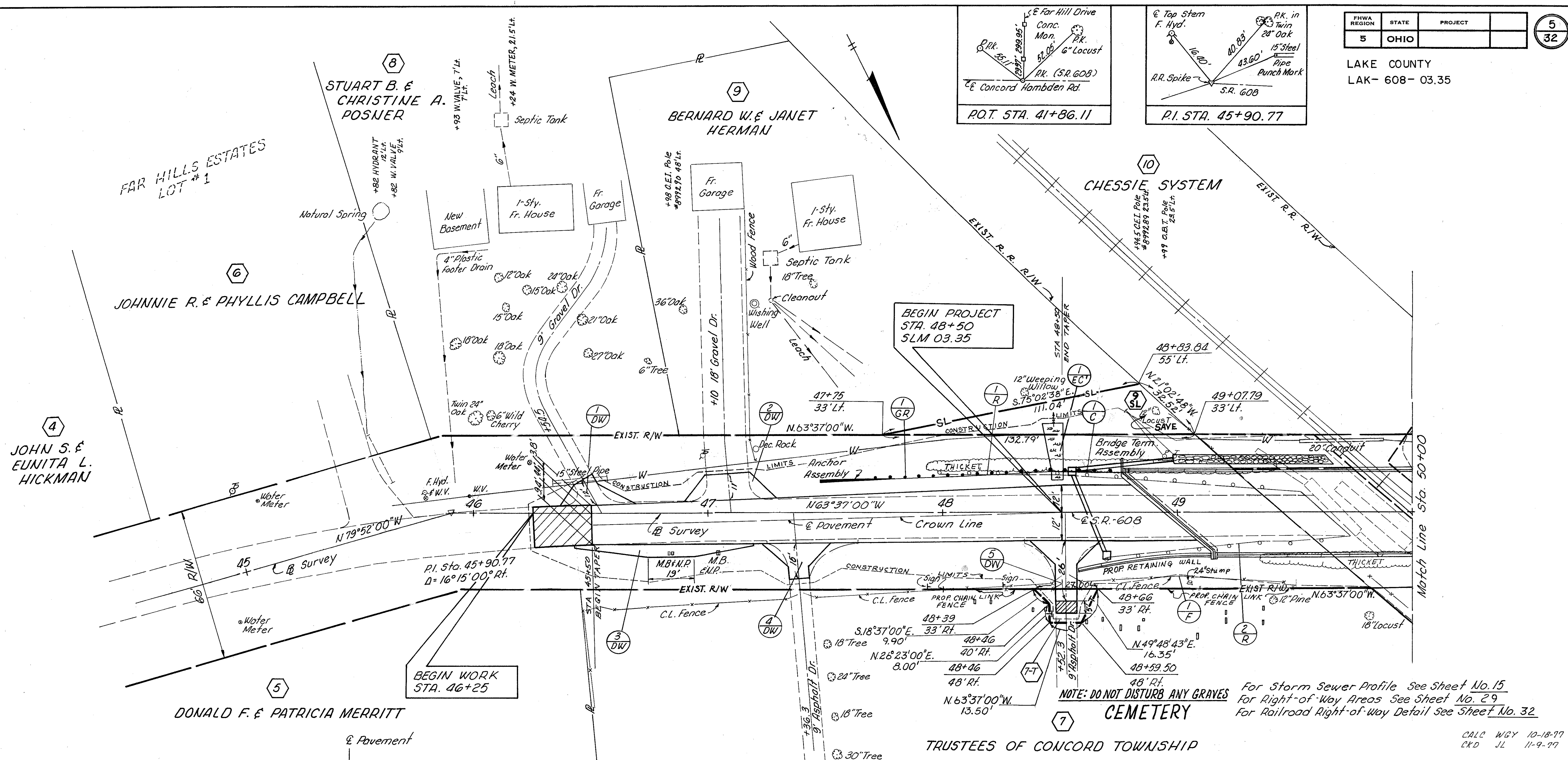


LAKE COUNTY
LAK- 608- 03.35



BENCH MARK

#1 - Sta. 45+04 - 35'± Lt. - R.R. Spike in North Side of P.P. # 899291. Elev. - 858.235

#2 - Sta. 48+95 - 24' Lt. - R.R. Spike in North Side of Power Pole. Elev. 874.707

Ref. No.	Station to Station	Side	304 Aggregate Base	404 Asphalt Concrete AC-20 (Driveways)	408 Bituminous Prime Coat	606 Guard Rail Type 5	Anchor Assembly	Bridge Terminal Assembly Type A	Fence Type CL Removed & Reset	Gate Type CL Removed & Reset	609 Curb Type G	660 Reinforced Sodding	202 Guard Rail Removed
			C.Y.	C.Y.	Gal.	L.F.	Each	Each	L.F.	Each	L.F.	S.Y.	L.F.
1-DW	46+54.5	Lt.	4	2	9								
2-DW	47+10	Lt.	6	2	14								
3-DW	46+85	Rt.	6	2	14								
4-DW	47+36.3	Rt.	5	2	12								
5-DW	48+52.3	Rt.	7	3	18								
1-R	47+99 - 49+52	Lt.											153
2-R	48+70 - 49+70	Rt.											100
1-GR	47+50.99 - 48+75.99	Lt.				100	1	1					
1-C	48+50 - 48+76	Lt.									26		
1-EC	48+50	Lt.							140	1		22	
1-F	48+10 - 49+50	Rt.											
Total			28	11	67	100	1	1	140	1	26	22	253

CALC WGY 10-18-77
CKD JL 11-9-77

NOTE: DO NOT DISTURB ANY GRAVES
For Storm Sewer Profile See Sheet No. 15
For Right-of-Way Areas See Sheet No. 29
For Railroad Right-of-Way Detail See Sheet No. 32