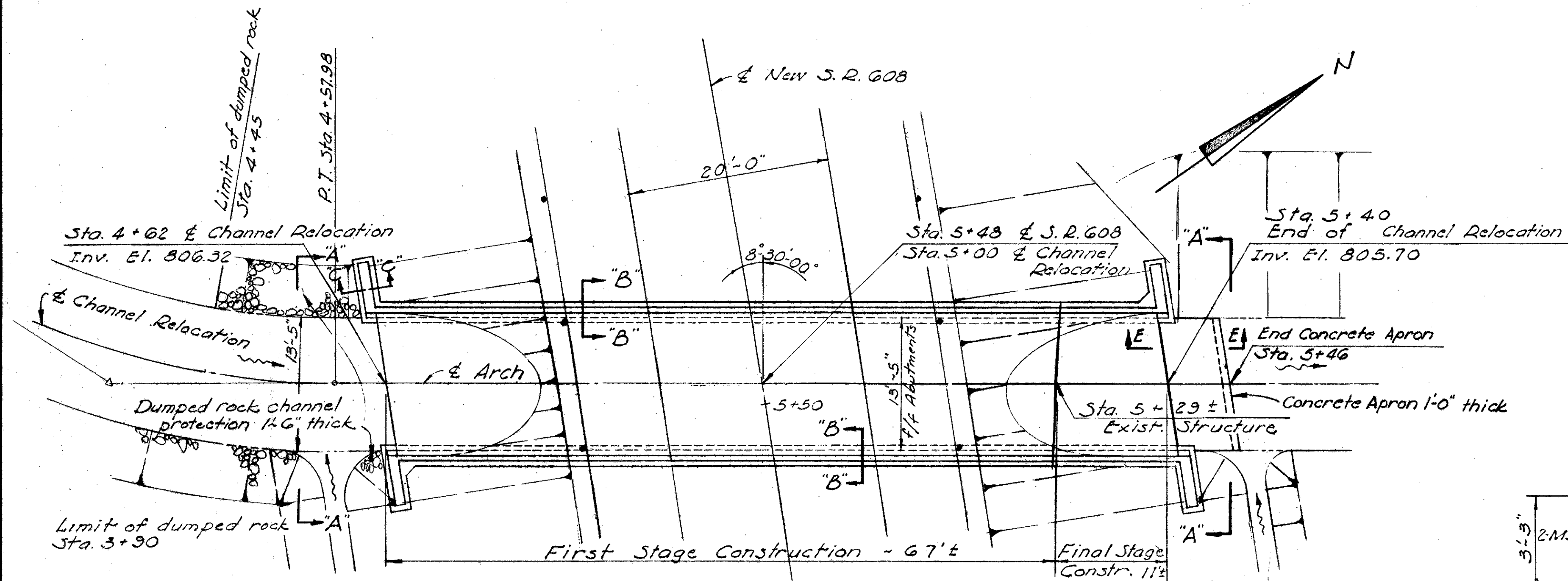


LAKE COUNTY  
LAK - G08 - 2.95



CURVE DATA  
& CHANNEL RELOCATION

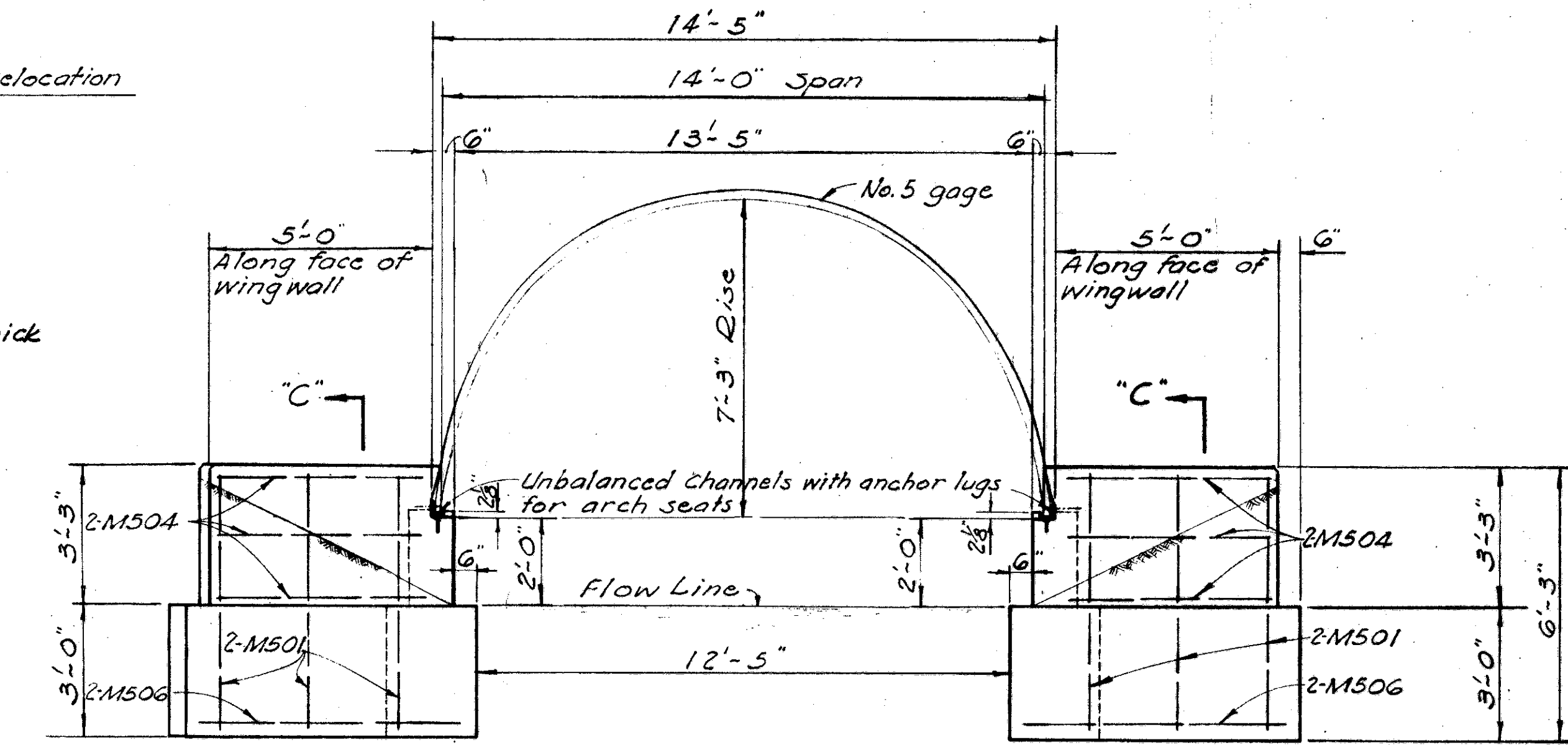
P.I. Sta. 4+37

Δ = 33°-00'-00"

T = 22.22'

R = 75'

L = 43.20'



~NOTES~

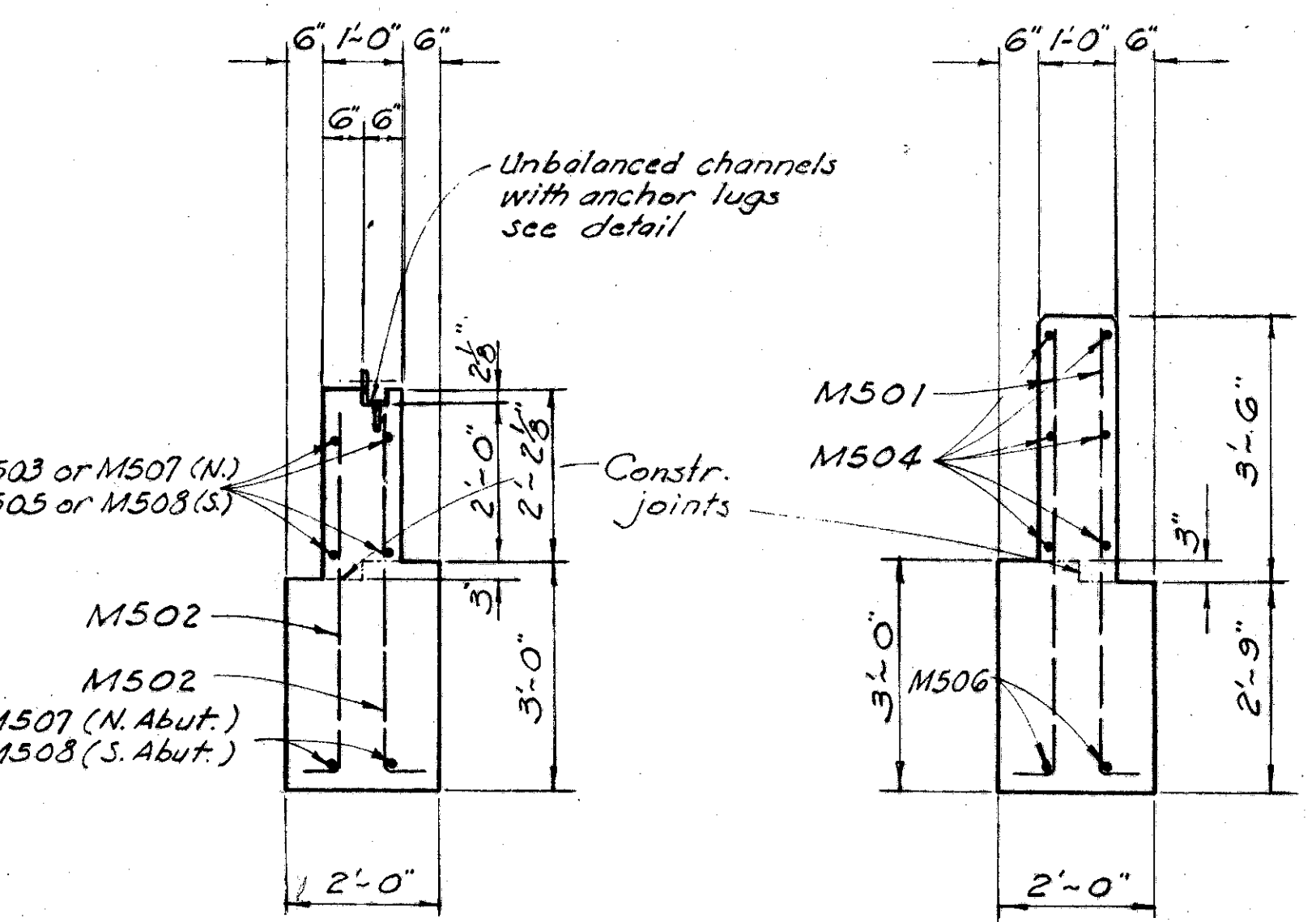
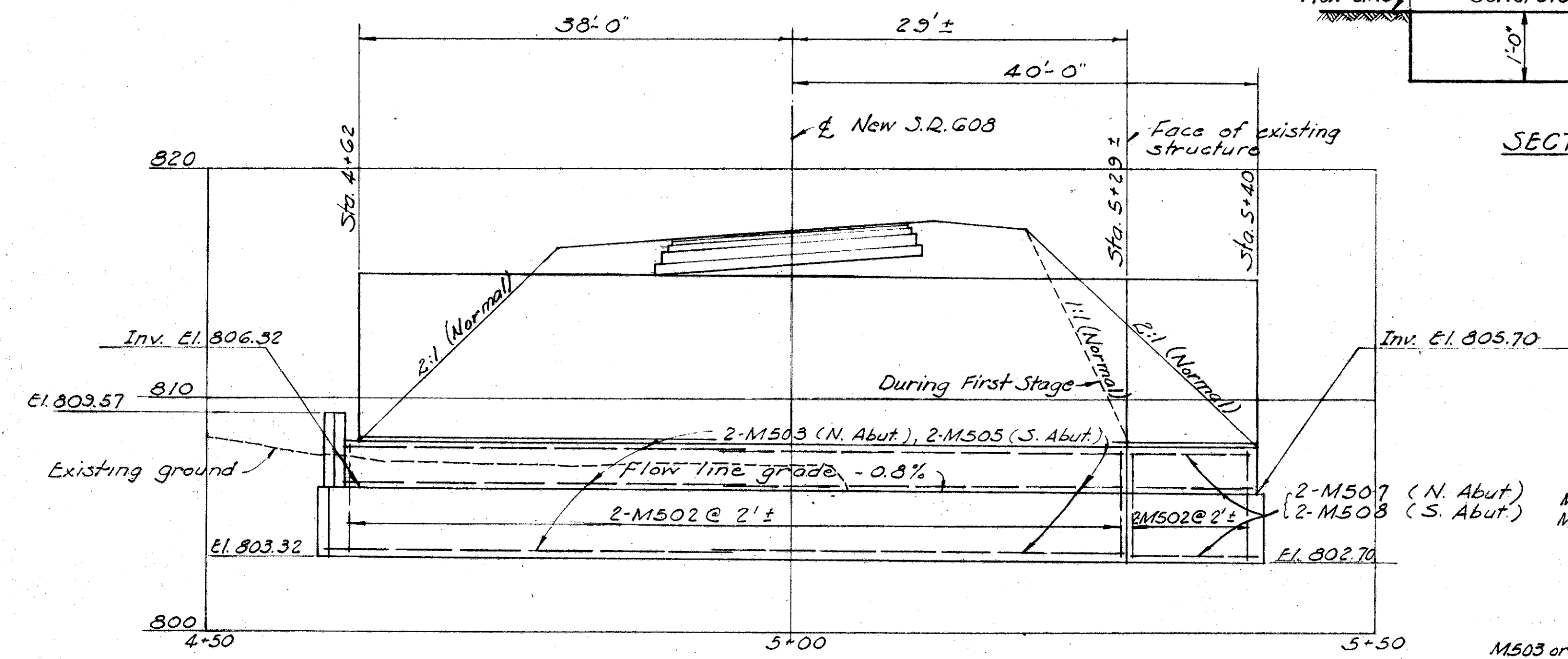
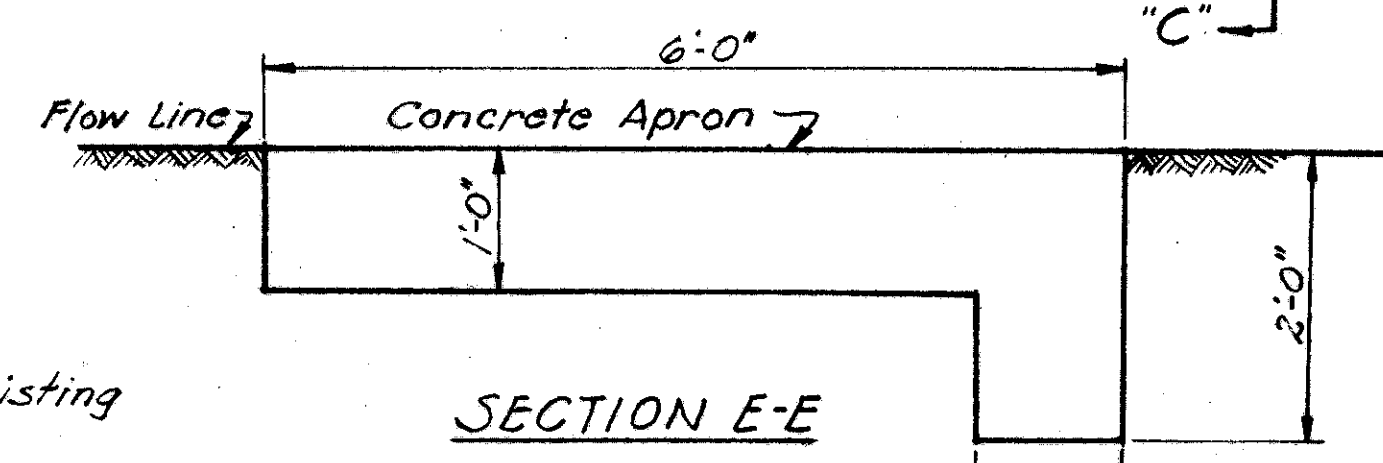
All notes and references to unbalanced channel shall also apply to alternate design as shown on Sheet B.

The Sectional Arch plates shall be No. 5 gage, and shall have a pitch of 6" ± 1/4", and a depth of 2" ± 1/8". The radius on the inside of the corrugations shall be at least 1 1/8". Plates shall be assembled with 3/8" high-strength bolts meeting the requirements of ASTM A-325. Longitudinal seams shall be bolted with 4 bolts per foot of seam except as otherwise provided hereon. All plates and bolts shall be galvanized.

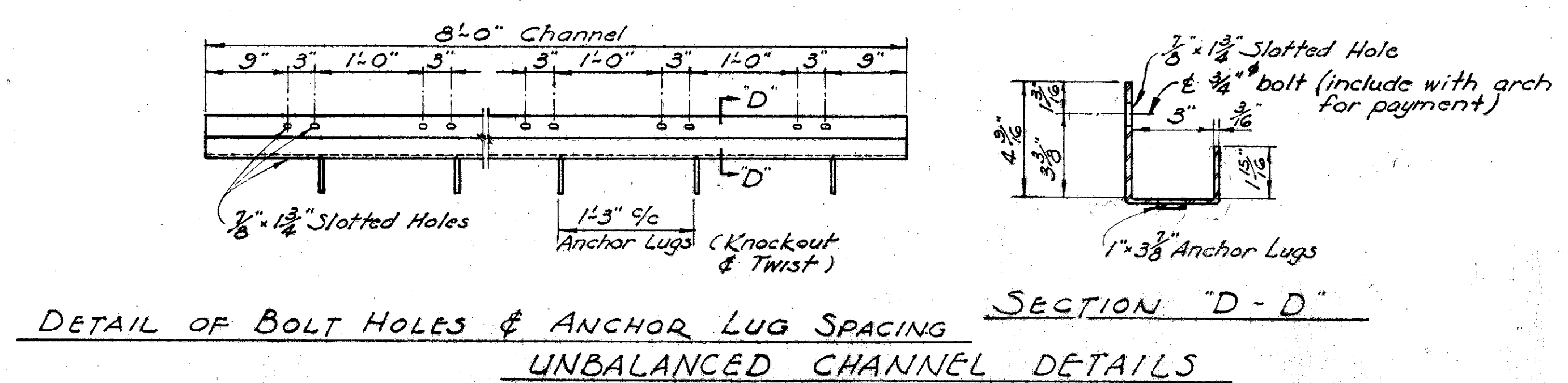
All concrete shall be Class "E". Payment for unbalanced Channels with anchor lugs for arch plate seats shall be included in the unit price bid for Item 522. Unbalanced channels shall be galvanized as provided in Sec. M-7.4(d).

Any depressions or holes more than 2" deep in the bottom of the stream, within the culvert, after the flow line excavation has been completed shall be filled with concrete. This concrete is included with Item 5-1, Concrete Aprons.

Unclassified excavation quantity includes the excavation necessary for the construction of the Concrete Apron and cut-off wall.



Mark	No.	Length	Weight	Type	A	B	C	Shape
M501	164	6-2	1,055	1	5-10-0-6			Bt.
M502	24	4-11	123	1	4-7-0-6			Bt.
M503	12	35-10	448					St.
M504	24	4-8	117					St.
M505	12	34-3	429					St.
M506	8	6-2	51					St.
M507	6	10-0	63					St.
M508	6	13-0	81					St.



NOTE:-

Footings shall extend a minimum of 3 feet into firm shale, or to the elevation shown, whichever is lower.

ALDEN E. STILSON & ASSOCIATES, LIMITED  
CONSULTING ENGINEERS  
COLUMBUS, OHIO

SECTIONAL CORRUGATED ARCH  
DETAILS

BRIDGE N<sup>o</sup> LAK-G08-0303  
S.R. G08 OVER GORDON CREEK

LAKE COUNTY Sta 5+48.00

DESIGNED	DRAWN	TRACED	CHECKED	REVIEWED	DATE	REVISD
R.C.	R.C.		S.V.C.			

FEB 3, 1967