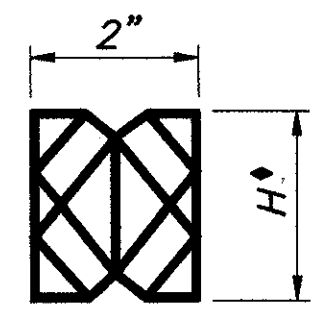


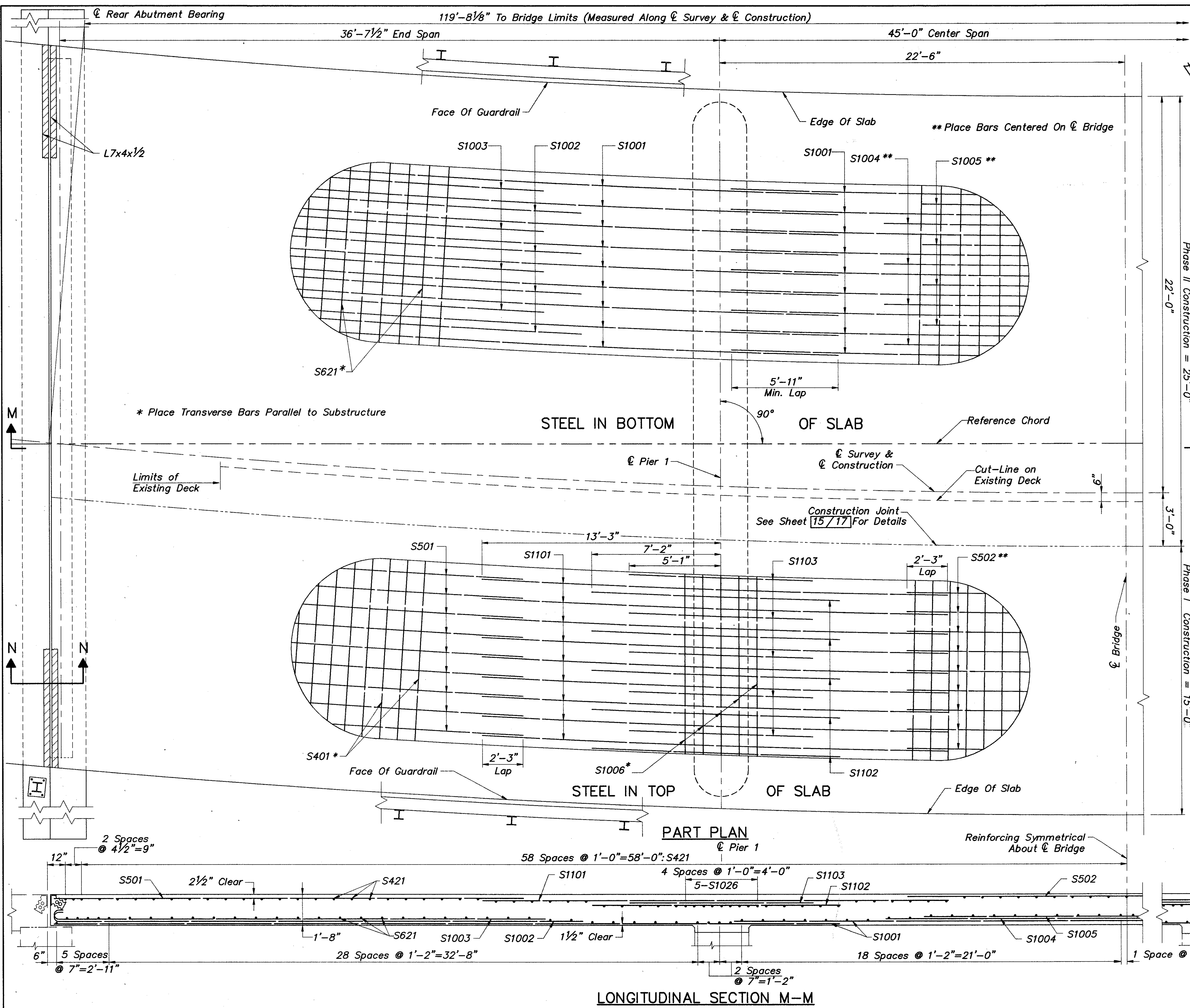
LAK - 608 - 0.75

Note: The Joint Seal For Each Bridge Deck Joint Shall Be Furnished In One Continuous Piece.

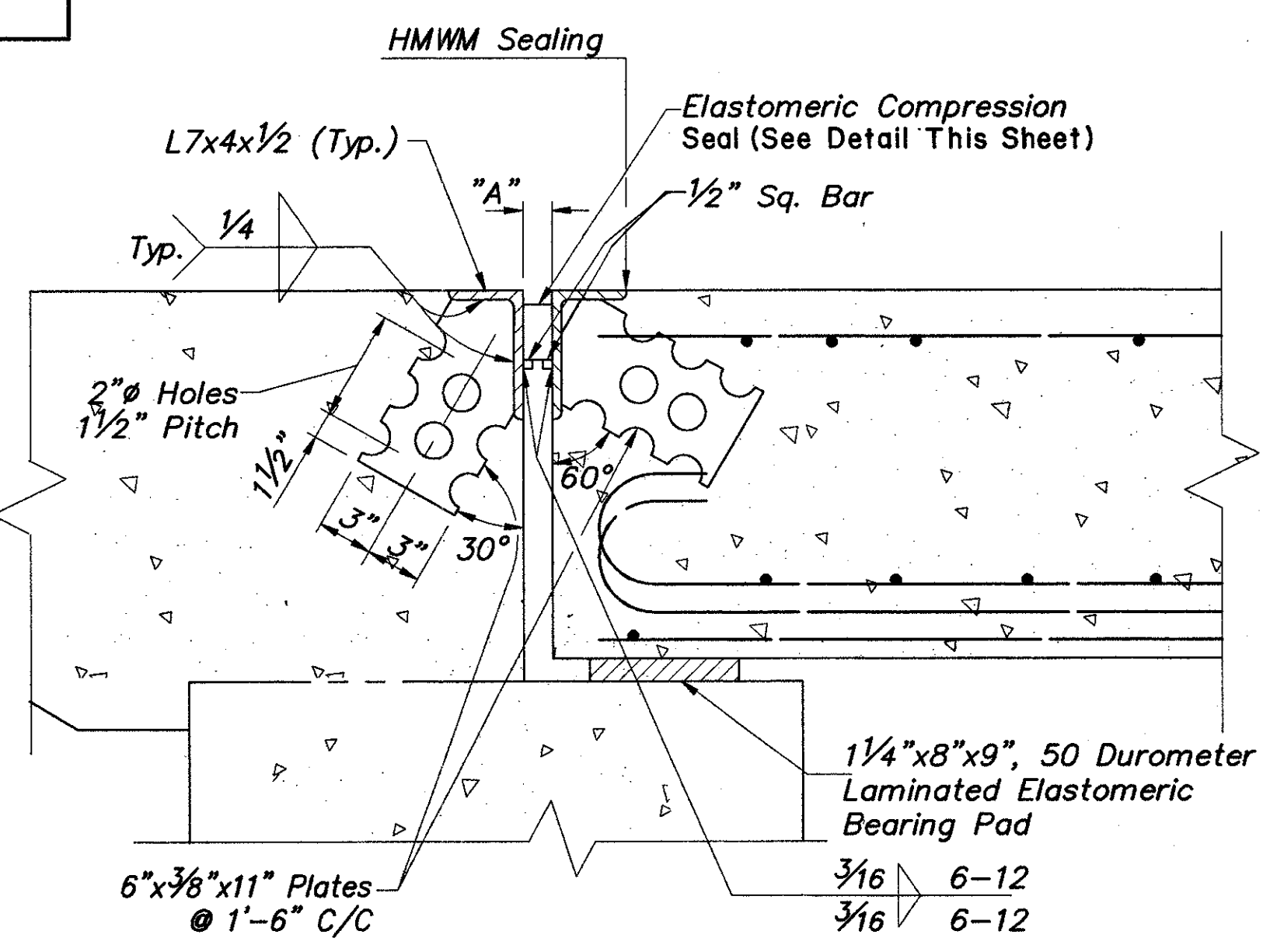


COMPRESSION SEAL DETAIL
 D.S. Brown's CV2000, Watson Bowman & Acme's WJ-200, Or An Approved Alternate.

Temp.	30° F	40° F	50° F	60° F	70° F	80° F	90° F
"A" Rear Abut.	1 9/16"	1 1/2"	1 7/16"	1 3/8"	1 5/16"	1 1/4"	1 1/4"
Fwd. Abut.	1 5/16"	1 5/16"	1 1/4"	1 1/4"	1 1/4"	1 1/4"	1 1/4"



Phase II Construction = 25'-0"
Phase I Construction = 15'-0"



- Notes:
- For Transverse Section Of Slab, See Sheet 15/17.
 - For Expansion Joint Butt Splice Details, See Sheet 15/17.

CT Consultants, Inc.
 Engineers • Architects • Planners
 Willoughby • Mentor • Columbus • North Canton • Canfield

SUPERSTRUCTURE DETAILS
 BRIDGE NO. LAK-608-0075
 OVER BIG CREEK
 LAKE COUNTY

DESIGNED: R.L.B. DRAWN: R.I.P. TRACED: R.I.P. CHECKED: J.P.R. REVIEWED DATE: J.E.A. 5-29-93