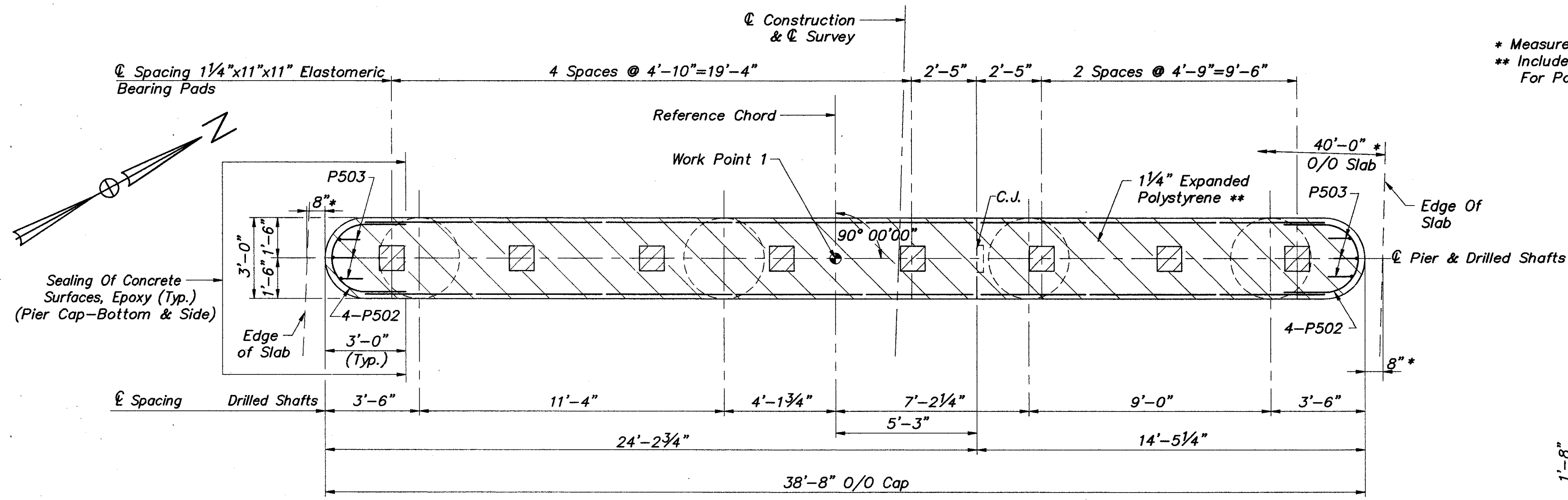
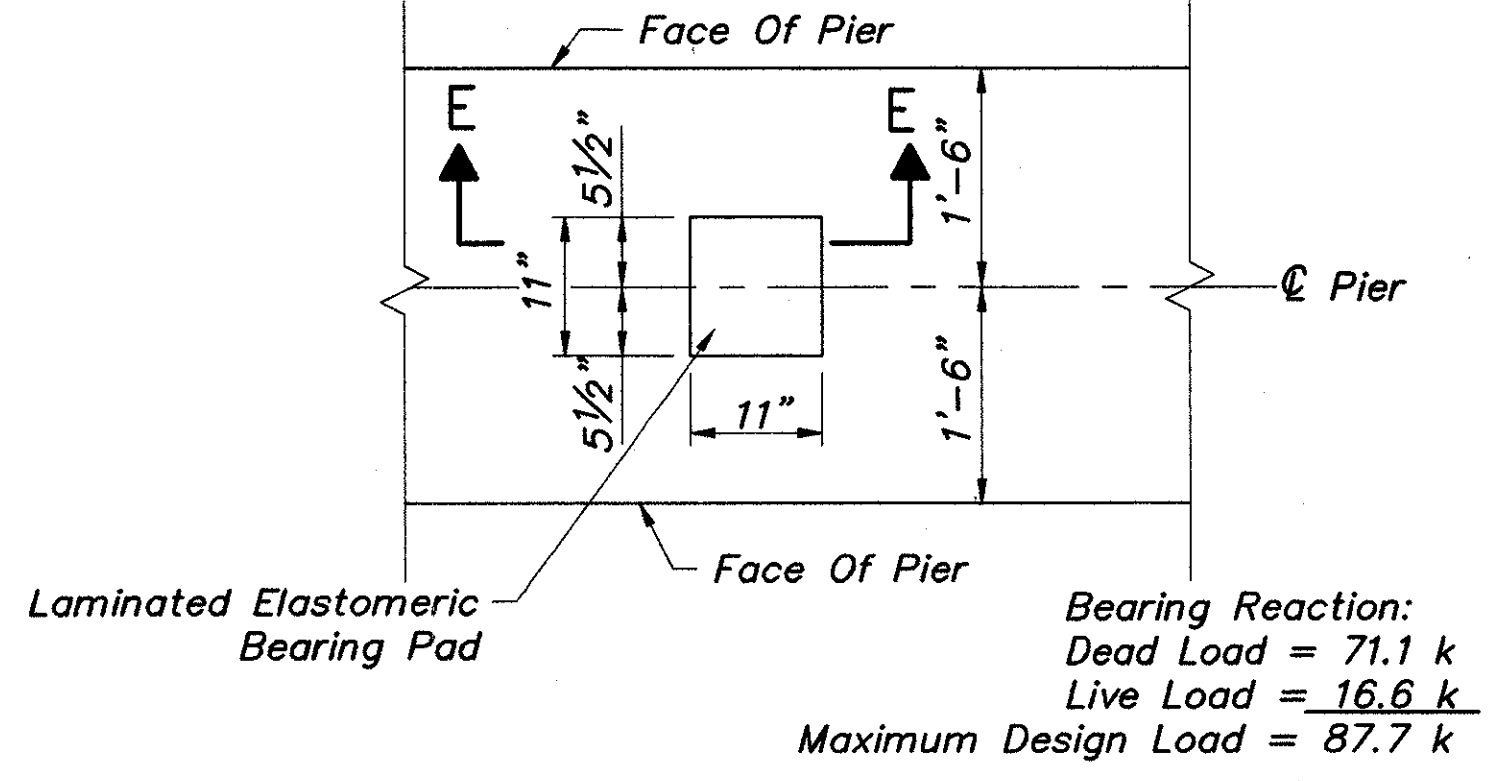


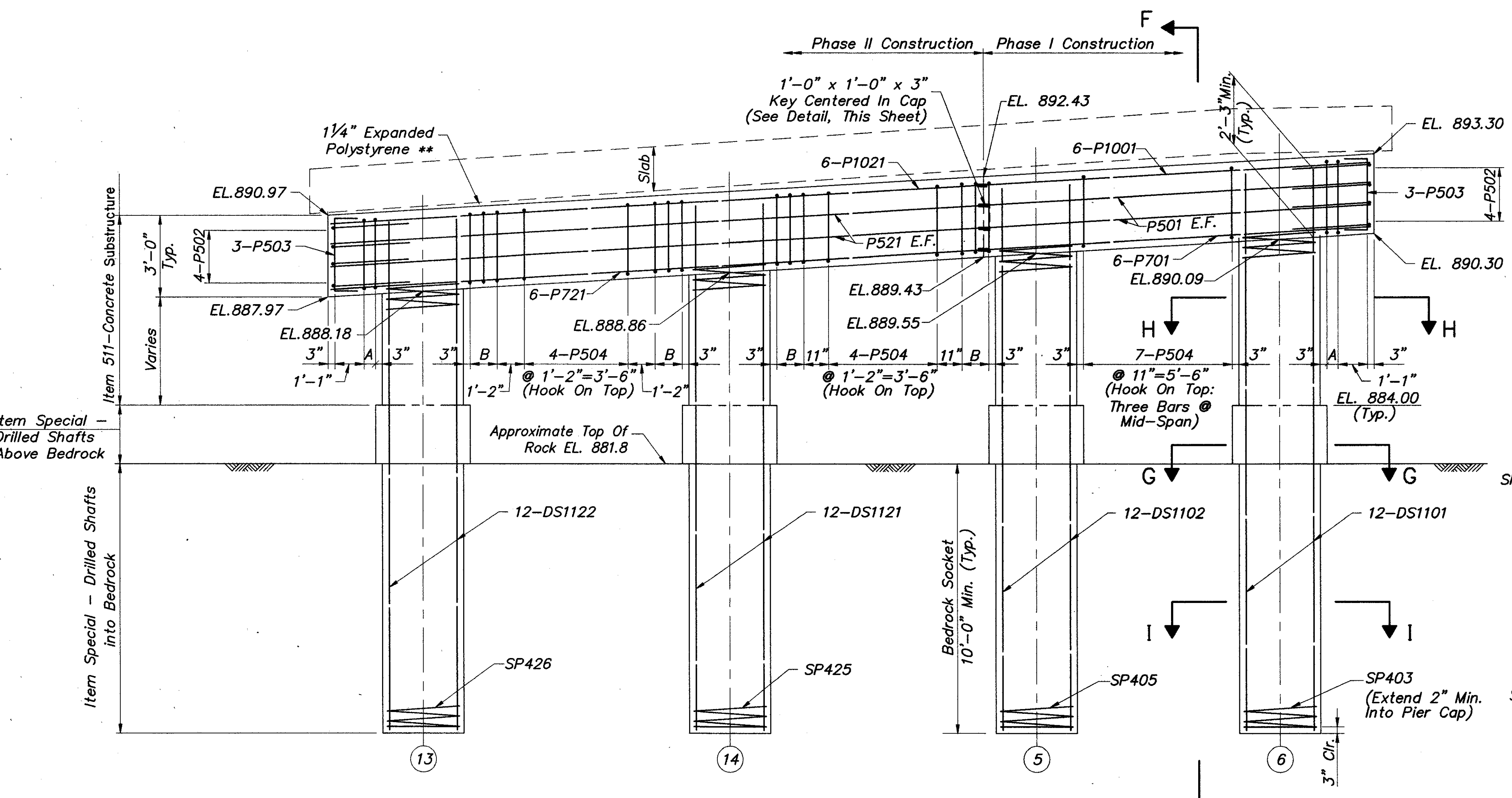
* Measured Radially
 ** Included With The Superstructure Concrete For Payment.



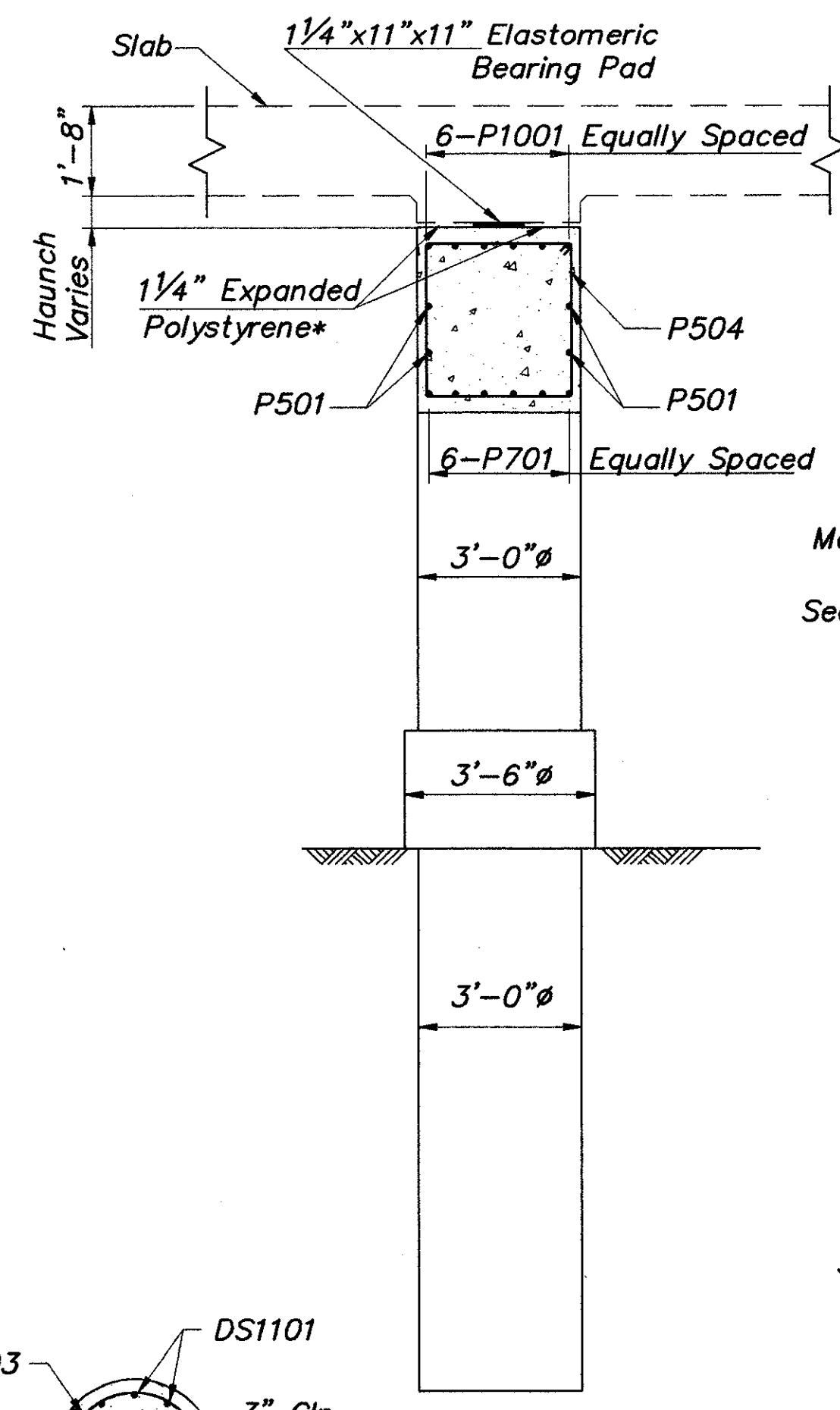
PIER 1 PLAN



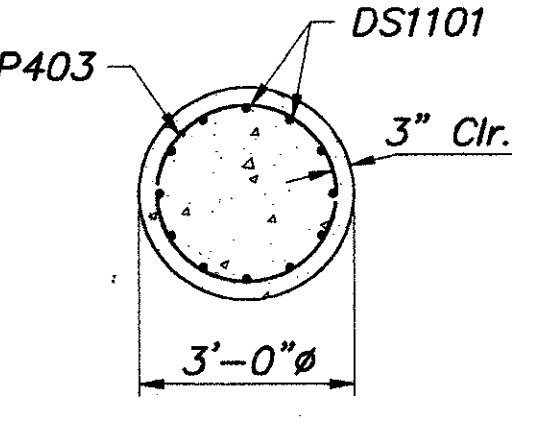
Note: For Section E-E, See Sheet 11/17
LAMINATED ELASTOMERIC BEARING PAD ORIENTATION



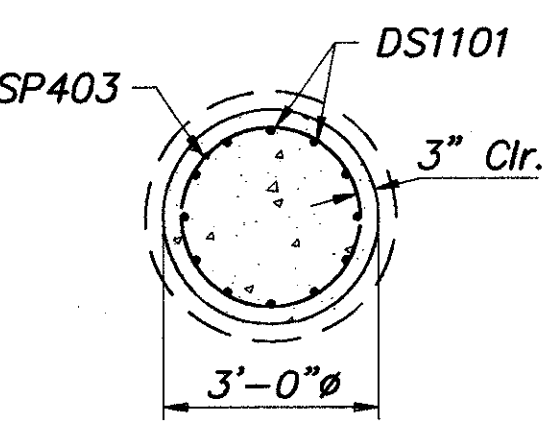
PIER 1 ELEVATION



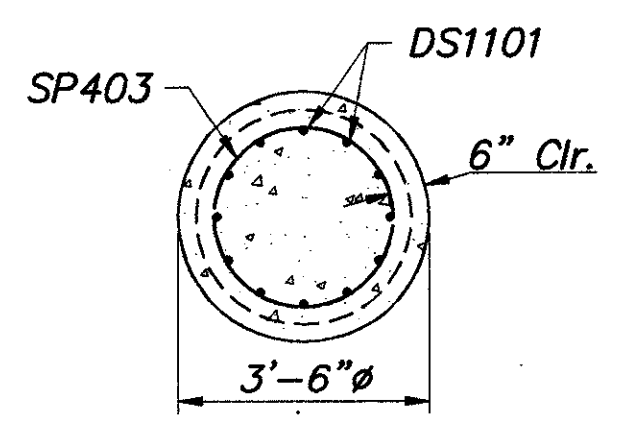
SECTION F-F



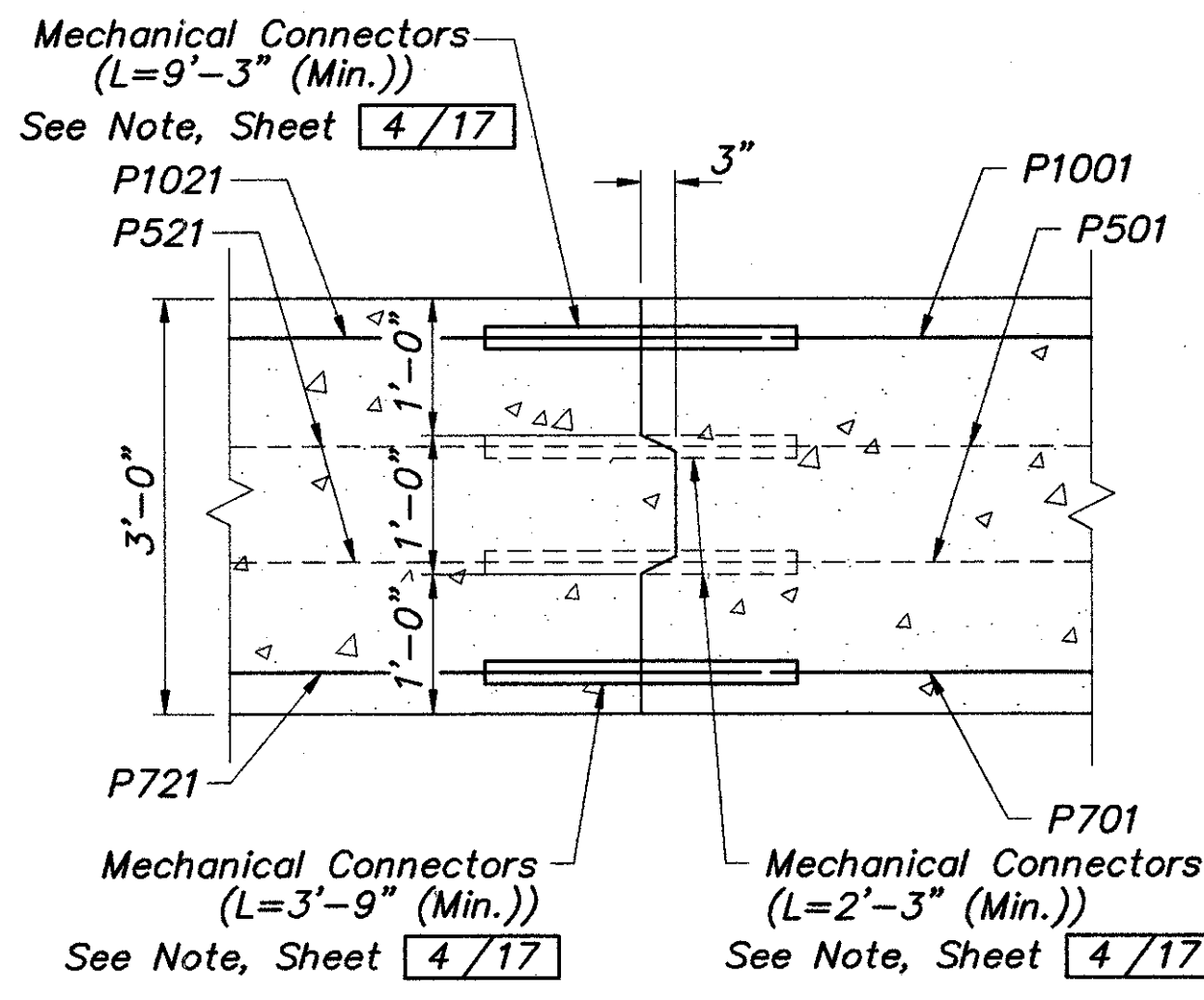
SECTION I-I



SECTION H-H



SECTION G-G



PIER CAP CONSTRUCTION JOINT DETAIL (Section Shown)

Notes:
 1. Notation: E.F.—Each Face; Ser.—Series; C.J.—Construction Joint; Typ.—Typical; Min.—Minimum; EL.—Elevation; Clr.—Clear.

A=2-P504 @ 5"=5" (Hook On Bottom)
 B=3-P504 @ 6"=1'-0" (Hook On Bottom)

CT Consultants, Inc. Engineers • Architects • Planners <small>Willoughby • Mentor • Columbus • North Canton • Canfield</small>					
PIER 1 PLAN & ELEVATION BRIDGE NO. LAK-608-0075 OVER BIG CREEK LAKE COUNTY					
DESIGNED	DRAWN	TRACED	CHECKED	REVIEWED DATE	REVISED
R.L.B.	R.I.P.	R.I.P.	J.P.R.	J.E.A. 5-29-93	