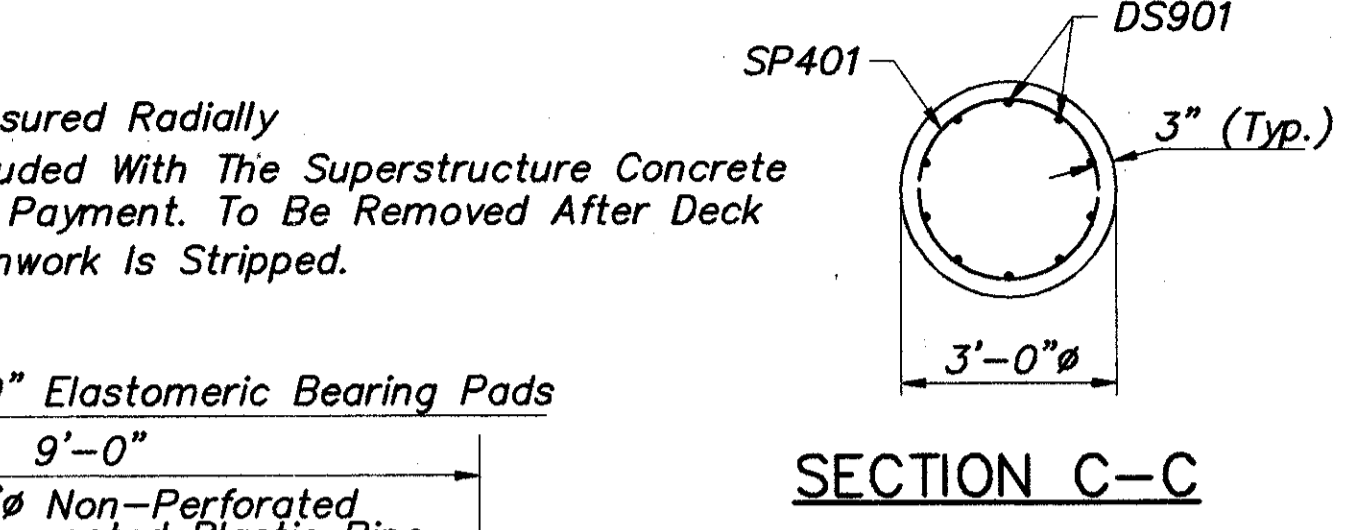
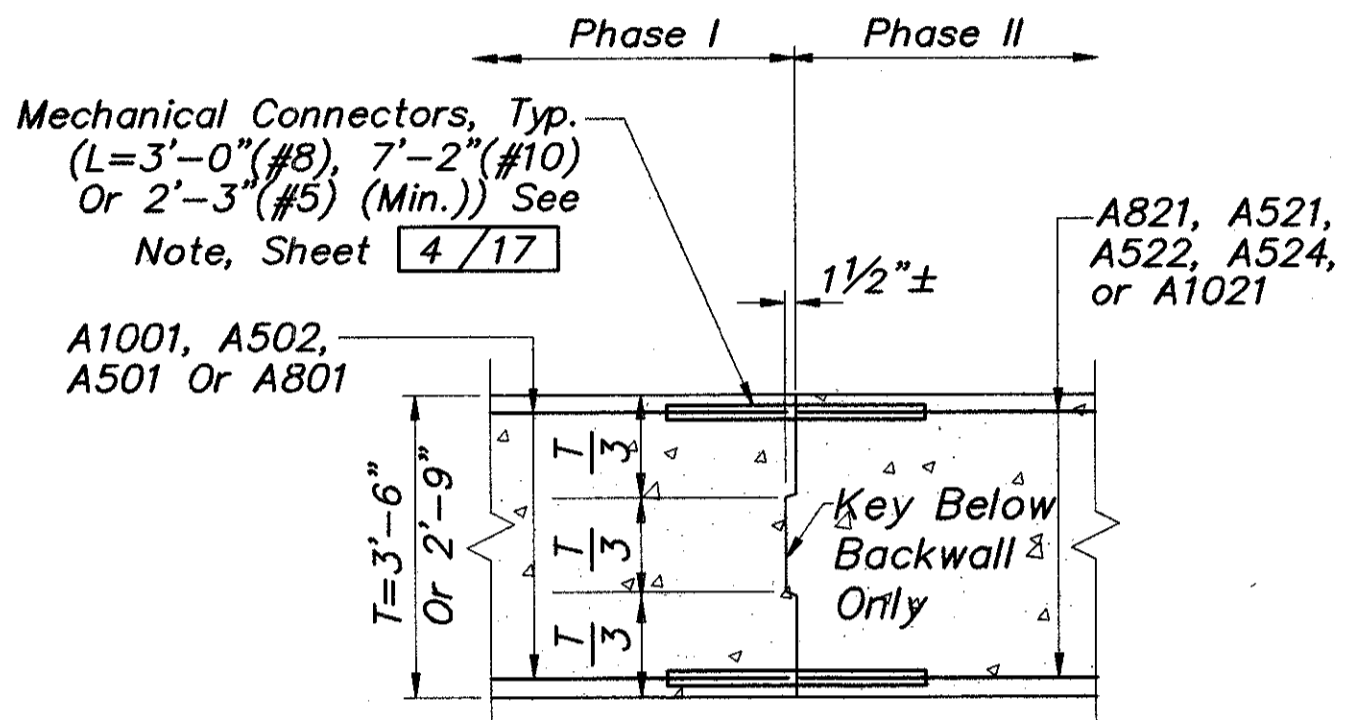


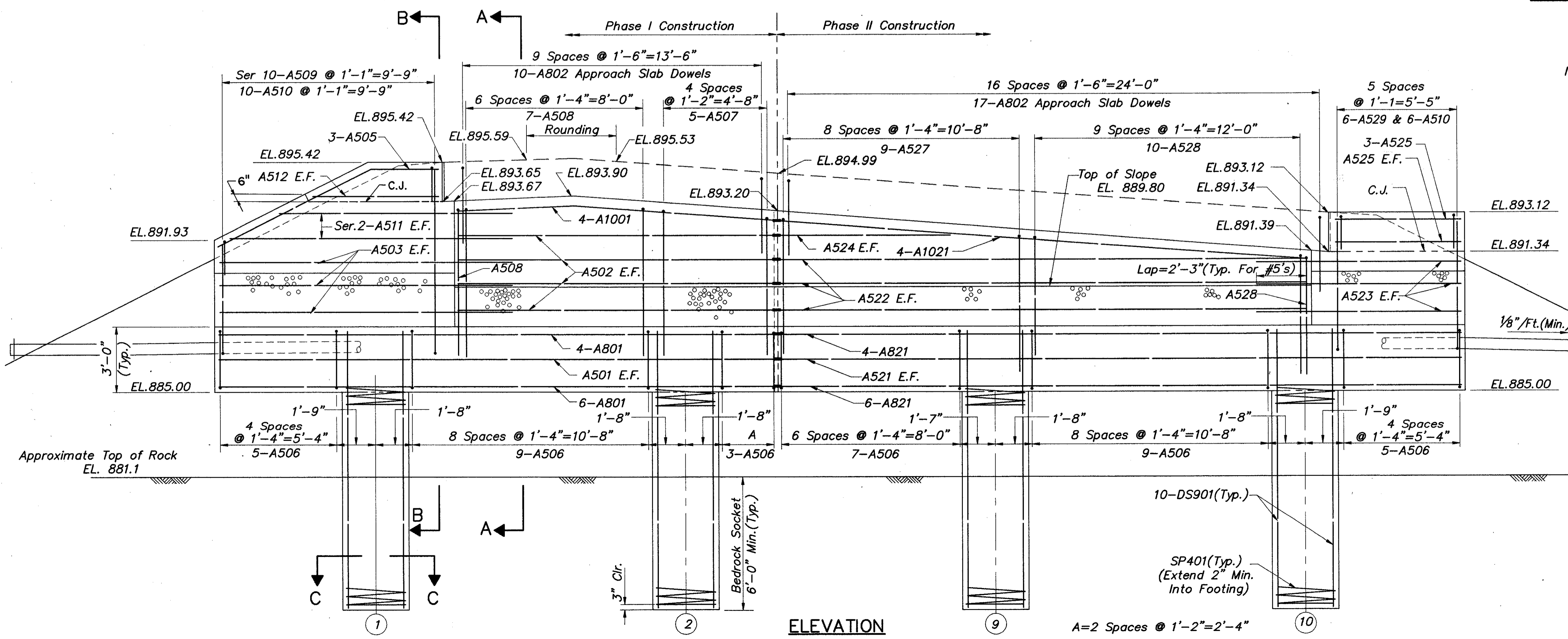
PLAN



SECTION C-C



PLAN-ABUTMENT CONSTRUCTION JOINT DETAIL
 Rear Abutment Joint As Shown
 (Forward Abutment Joint Opposite Hand)



ELEVATION

- NOTES:
1. See Sheet 11/17 For Sections A-A & B-B.
 2. Porous Backfill, 1'-6" Thick, Shall Extend Up To The Plane Of The Subgrade, To 1'-0" Below The Embankment Surface, And Laterally To The Ends Of The Wingwalls.
 3. Backwall And Wingwall Concrete Above The Level Of The Bridge Seat Shall Not Be Placed Until After The Deck Slab Has Been Placed.
 4. Required Bar Laps: As Noted.
 5. Notation: E.F.-Each Face; F.F.-Far Face; C.J.-Construction Joint; Typ.-Typical; Min.-Minimum; EL.-Elevation; Clr.-Clear.

CT Consultants, Inc.
 Engineers • Architects • Planners
 Willoughby • Mentor • Columbus • North Canton • Canfield

9/17

**REAR ABUTMENT
 PLAN & ELEVATION
 BRIDGE NO. LAK-608-0075
 OVER BIG CREEK
 LAKE COUNTY**

DESIGNED	DRAWN	TRACED	CHECKED	REVIEWED DATE	REVISED
R.L.B.	R.L.P.	R.L.P.	J.P.R.	J.E.A. 5-29-93	