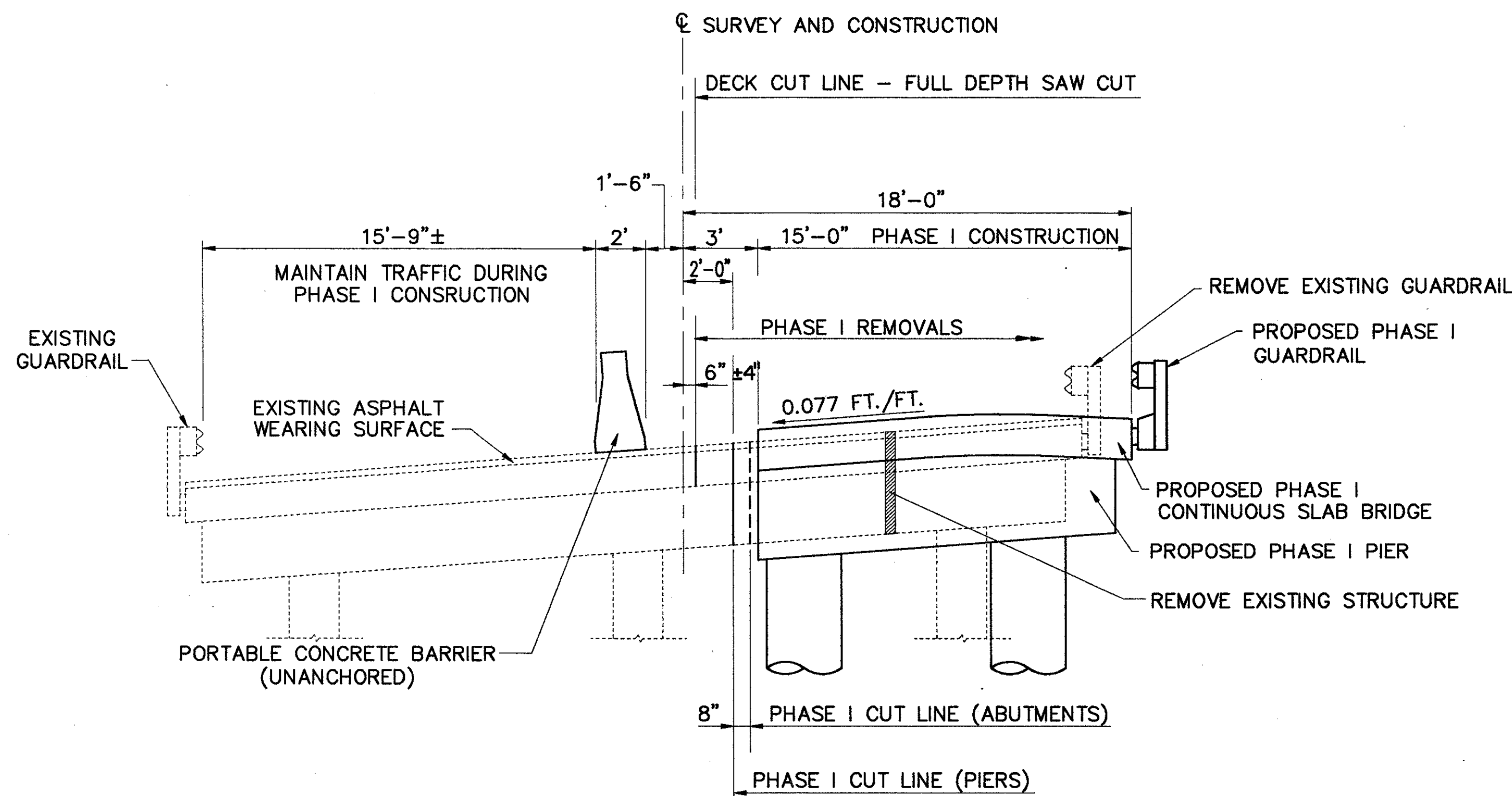
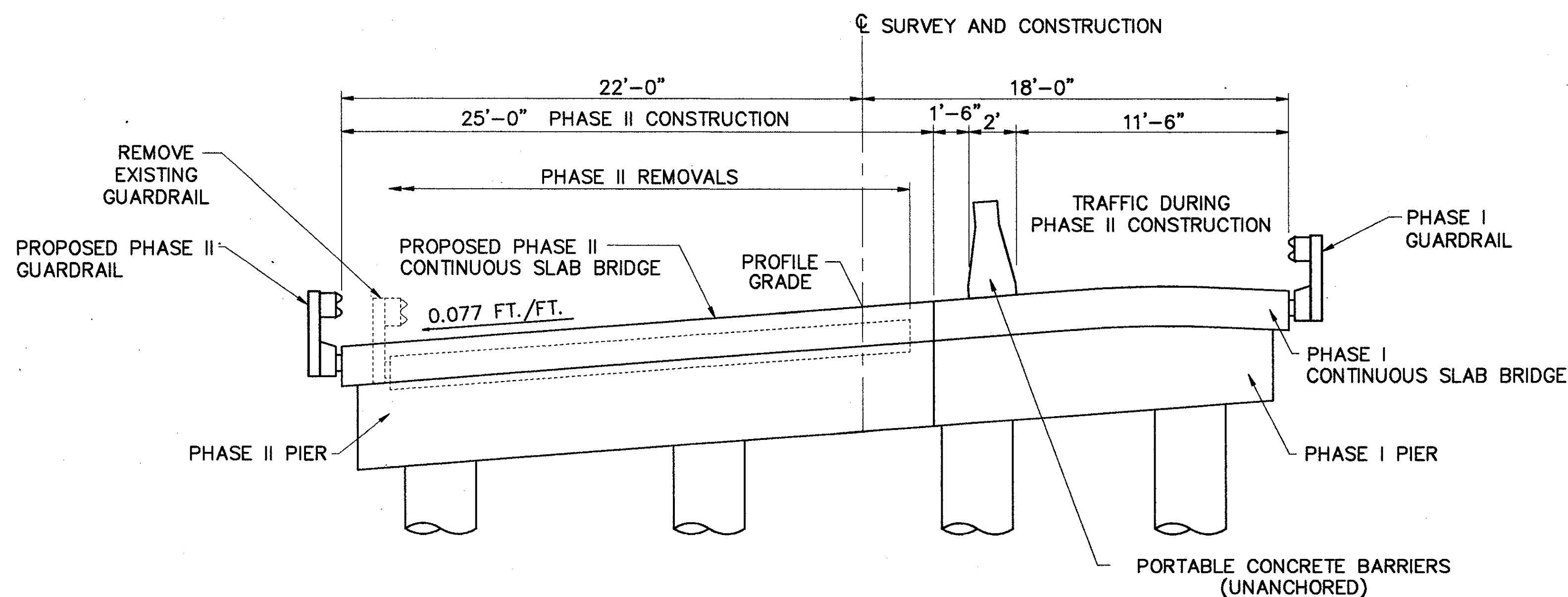


PART WIDTH CONSTRUCTION DETAILS



PHASE I
ALL DIMENSIONS ARE RADIAL DIMENSIONS



PHASE II
ALL DIMENSIONS ARE RADIAL DIMENSIONS

REFER TO PLAN DETAILS FOR LOCATION & DIMENSIONS OF PHASE I AND PHASE II CONSTRUCTION. THE BRIDGE AND APPROACH SLABS SHALL BE CONSTRUCTED IN ACCORDANCE WITH THE FOLLOWING SEQUENCE OF OPERATIONS:

1. INSTALL PHASE I PORTABLE CONCRETE BARRIER, AND CUT (FULL DEPTH SAWCUT) DECK ALONG CUT LINE.
2. REMOVE PORTION OF EXISTING SUPERSTRUCTURE, ABUTMENTS AND PIERS TO THE LIMITS SHOWN UNDER PHASE I ON THIS SHEET.
3. CONSTRUCT THE PROPOSED ABUTMENTS AND PIERS TO THE LIMITS SHOWN UNDER PHASE I ON SHEETS.
4. CONSTRUCT THAT PORTION OF THE SUPERSTRUCTURE (INCLUDING PERMANENT GUARDRAIL) TO THE LIMITS SHOWN UNDER PHASE I ON THESE PLANS. SUPERSTRUCTURE FORMWORK SHALL REMAIN IN PLACE UNTIL PHASE II DECK FORMWORK IS REMOVED.
5. CONSTRUCT THAT PORTION OF THE APPROACH SLAB SHOWN UNDER PHASE I ON THE GENERAL PLAN.
6. INSTALL THE PORTABLE CONCRETE BARRIER AT THE PHASE II LOCATION AS SHOWN ON THE GENERAL PLAN AND THIS SHEET.
7. REMOVE THE REMAINING PORTIONS OF THE EXISTING SUPERSTRUCTURE, ABUTMENTS AND PIERS.
8. CONSTRUCT THE PHASE II PORTION OF THE PROPOSED ABUTMENTS AND PIERS.
9. CONSTRUCT THAT PORTION OF THE SUPERSTRUCTURE (INCLUDING PERMANENT GUARDRAIL) TO THE LIMITS SHOWN UNDER PHASE II.
10. CONSTRUCT THE PHASE II PORTION OF THE APPROACH SLABS.

- NOTES:
 1. REFER ALSO TO THE MAINTENANCE OF TRAFFIC SHEET IN THE ROADWAY PLANS.
 2. FOR PORTABLE CONCRETE BARRIER DETAILS, SEE PCB-91.

| | | | | | |
|--|--------|--------|---------|-------------------|---------|
| CT Consultants, Inc. Engineers • Architects • Planners Willoughby • Mentor • Columbus • North Canton • Youngstown | | | | | |
| 5/17 | | | | | |
| PHASE CONSTRUCTION DETAILS BRIDGE NO. LAK-608-0075 OVER BIG CREEK LAKE COUNTY | | | | | |
| DESIGNED | DRAWN | TRACED | CHECKED | REVIEWED DATE | REVISED |
| J.E.A. | P.A.L. | J.E.A. | D.J.W. | J.P.R. 5-29-93 | |