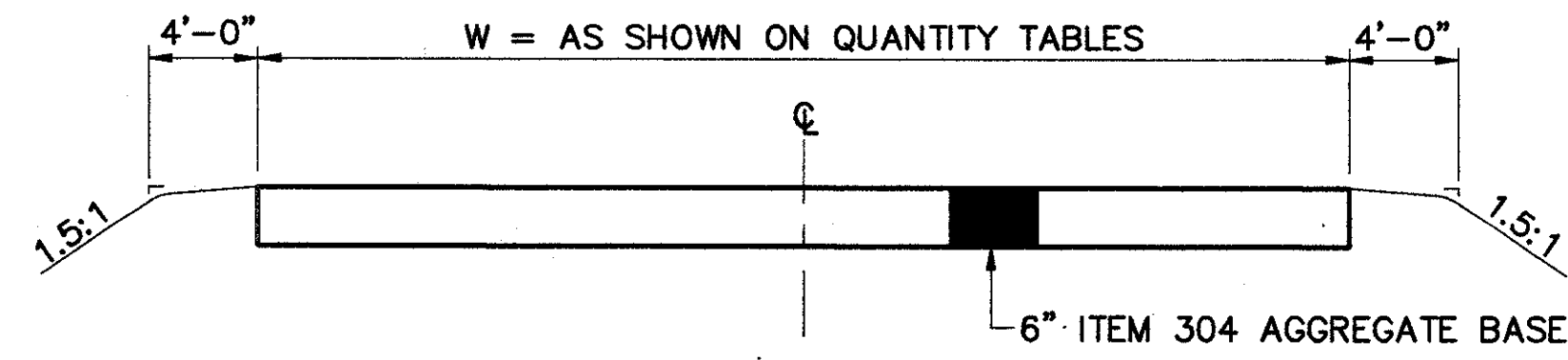
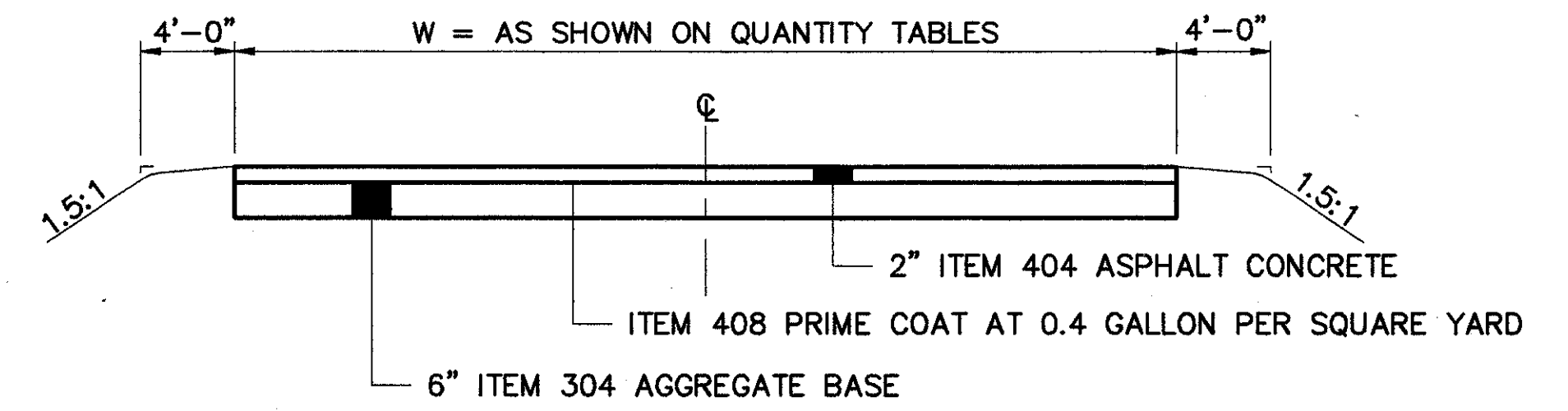


RESIDENTIAL DRIVE PLAN



STONE DRIVE  
 TYPICAL SECTION



RESIDENTIAL ASPHALT DRIVE  
 TYPICAL SECTION

