

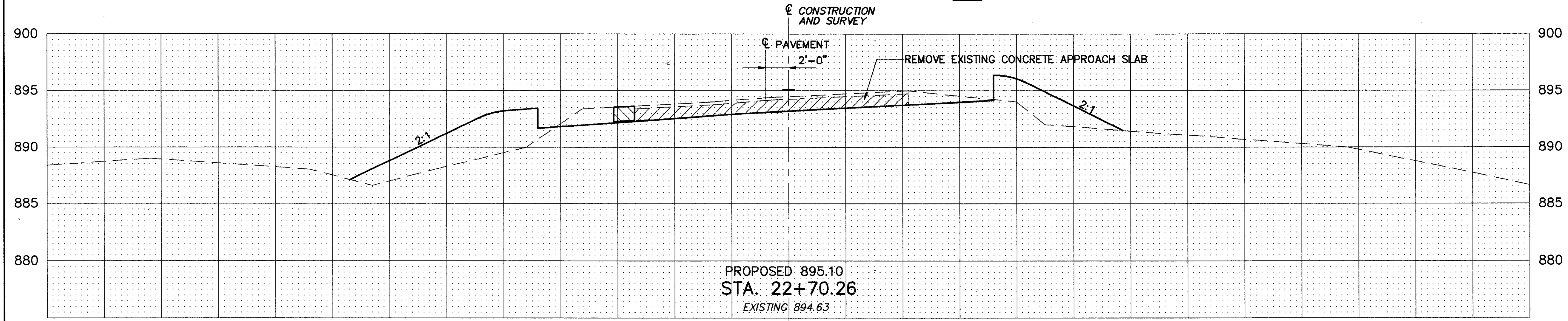
-0+65 -0+60 -0+55 -0+50 -0+45 -0+40 -0+35 -0+30 -0+25 -0+20 -0+15 -0+10 -0+05 0+00 0+05 0+10 0+15 0+20 0+25 0+30 0+35 0+40 0+45 0+50

CALC BY R.I.P.  
DATE 10-93  
CHKD BY D.J.W.  
DATE 10-93

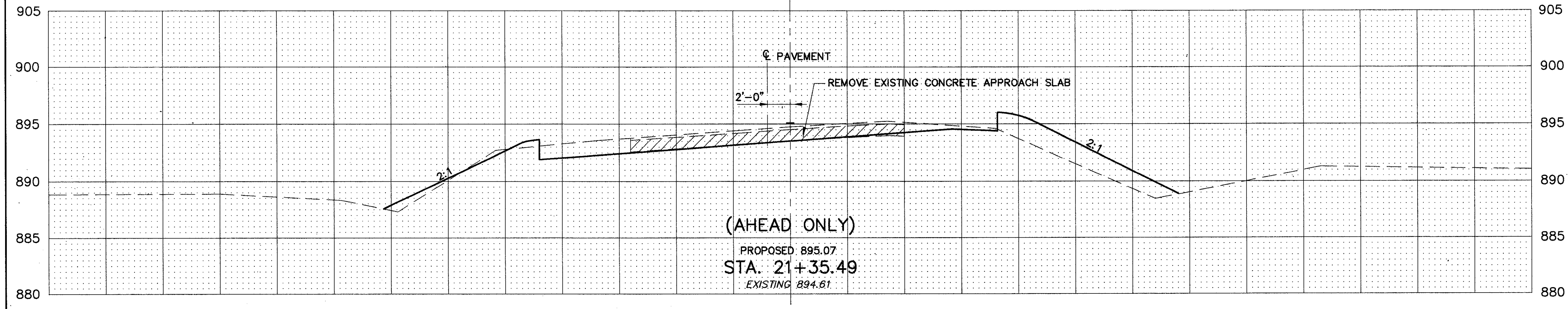
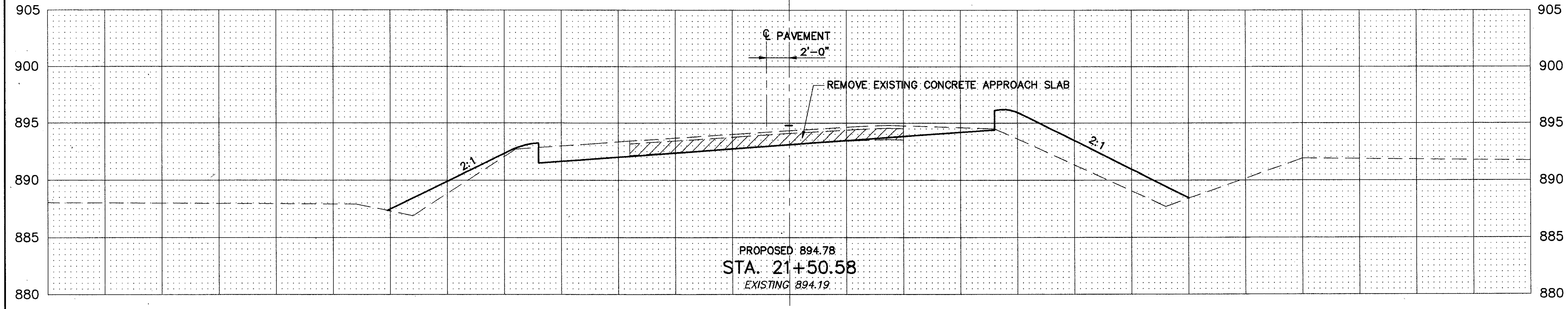
LAK - 608 - 0.75

OHIO  
FHWA REGION 5  
14  
45

AREA FOR TEMPORARY PAVEMENT



Note: Item 203 -Excavation is Included in The General Summary For The Excavation of Material in Front of The Abutments.



-0+65 -0+60 -0+55 -0+50 -0+45 -0+40 -0+35 -0+30 -0+25 -0+20 -0+15 -0+10 -0+05 0+00 0+05 0+10 0+15 0+20 0+25 0+30 0+35 0+40 0+45 0+50 0+55 0+60 0+65

END WIDTH	SEEDING SQ. YDS.	END AREA		VOLUME	
		CUT	FILL	CUT	FILL
54.0		13.1	64.7		
	0.0			10.2	39.0
50.0		14.9	42.2		
	91.4			8.2	20.3
59.0		14.6	30.5		
	0.0			0.0	0.0