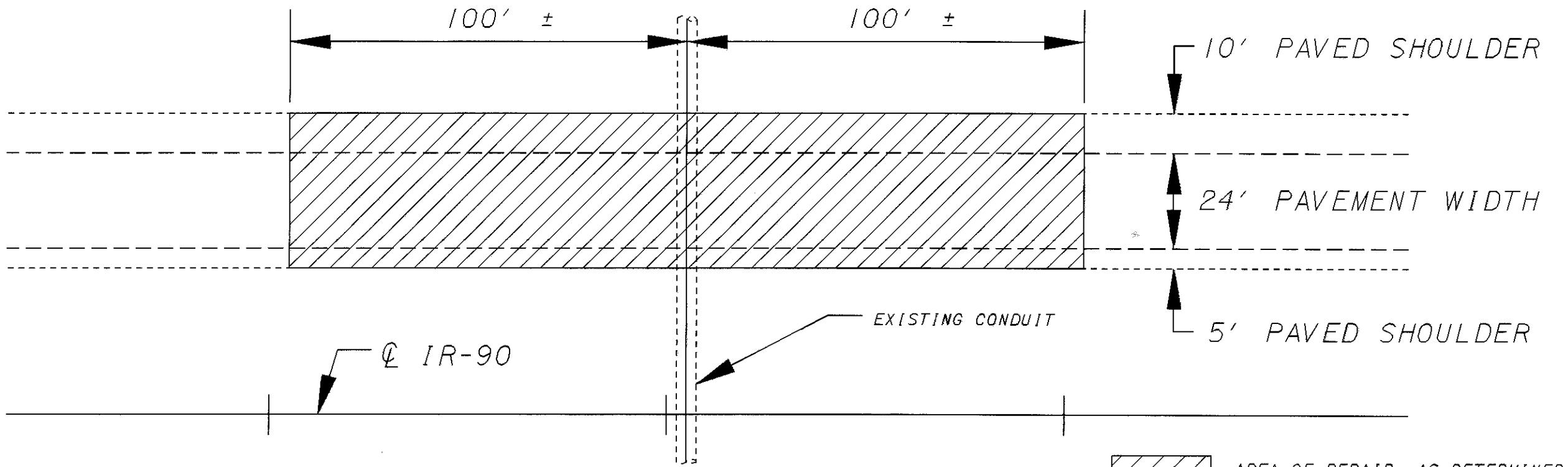


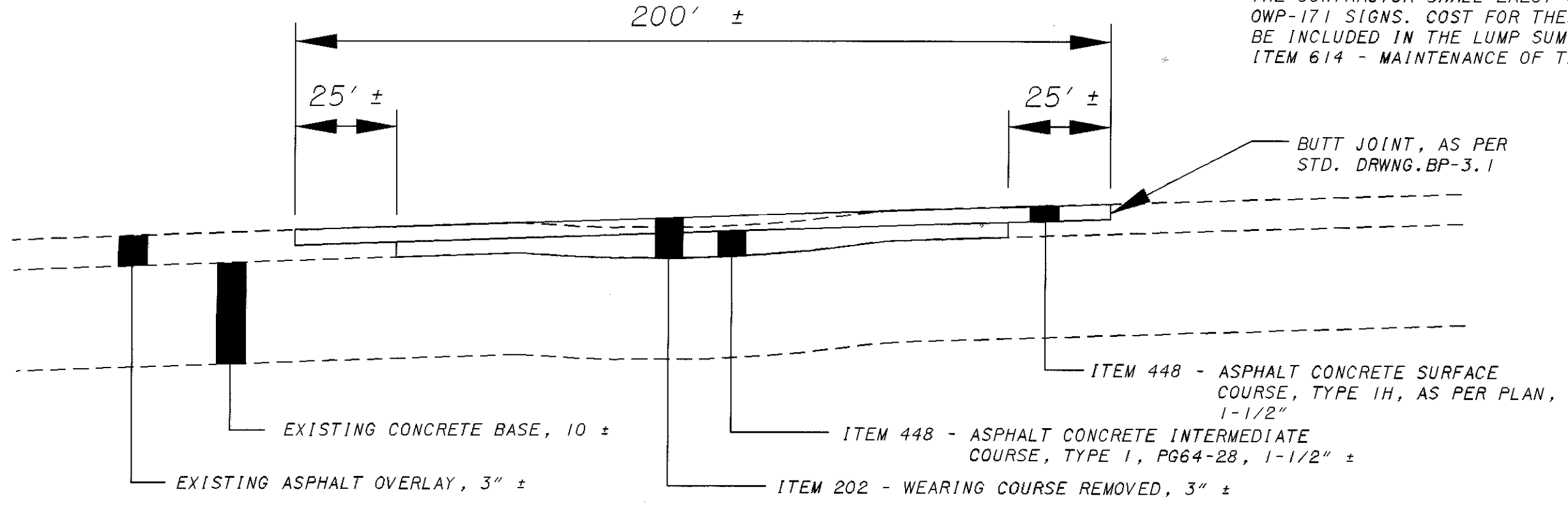
PLOTTED BY: fkonopka
 PLOTTED FROM:
 1697666GA.DGN
 PLOT SUBMITTED: 31-AUG-2000 10:37



PLAN VIEW

AREA OF REPAIR, AS DETERMINED BY THE ENGINEER

NOTE: WHEN PLANING THE EXISTING ASPHALT OVERLAY, NO DROP OFF GREATER THAN 1-1/2" SHALL BE OPENED TO TRAFFIC. IF A DROP OFF EXISTS (0" TO 1-1/2") BETWEEN TRAVELED LANES AND IS EXPOSED TO TRAFFIC, THE CONTRACTOR SHALL ERECT OW-171 AND OWP-171 SIGNS. COST FOR THESE SIGNS TO BE INCLUDED IN THE LUMP SUM BID FOR ITEM 614 - MAINTENANCE OF TRAFFIC.



PLAN VIEW

CALCULATED
 EMK
 CHECKED
 LDH
 LAKE COUNTY
 LAK-608-0.38/VAR
 IR-90 PAVEMENT DETAILS