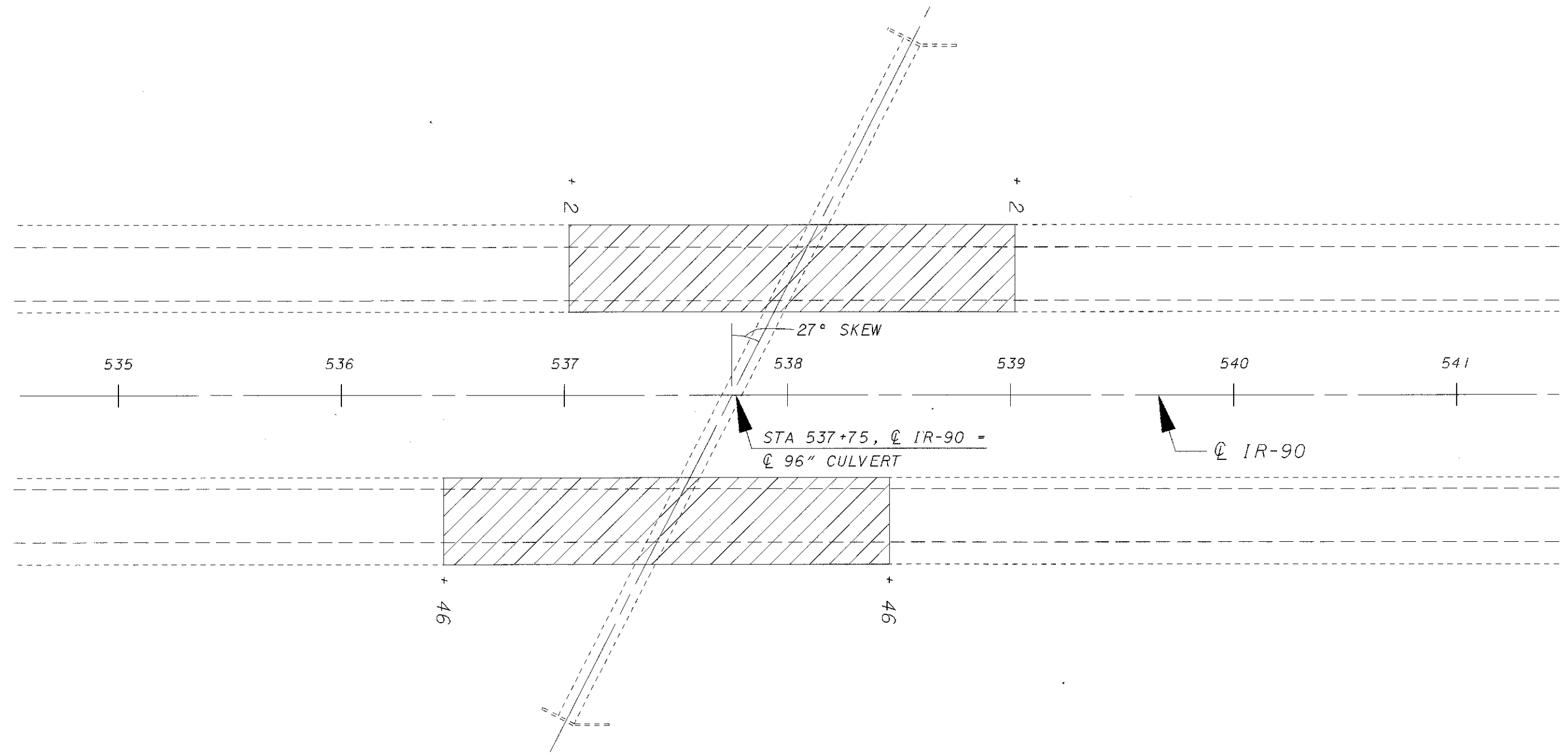


PLOTTED BY: ekallio
PLOTTED FROM: H:\PROJECTS\PID21525\DGN\21525gpa.dgn
21525GPA.DGN

PLOT SUBMITTED: 31-AUG-2000 11:10



 AREA OF REPAIR, AS DETERMINED BY THE ENGINEER

SEE SHEET 10 FOR ADDITIONAL DETAILS

CALCULATED EMK	CHECKED LDH	IR-90 PLAN SHEET - SLM 17.89	LAKE COUNTY LAK-608-0.38/VAR	9 12	