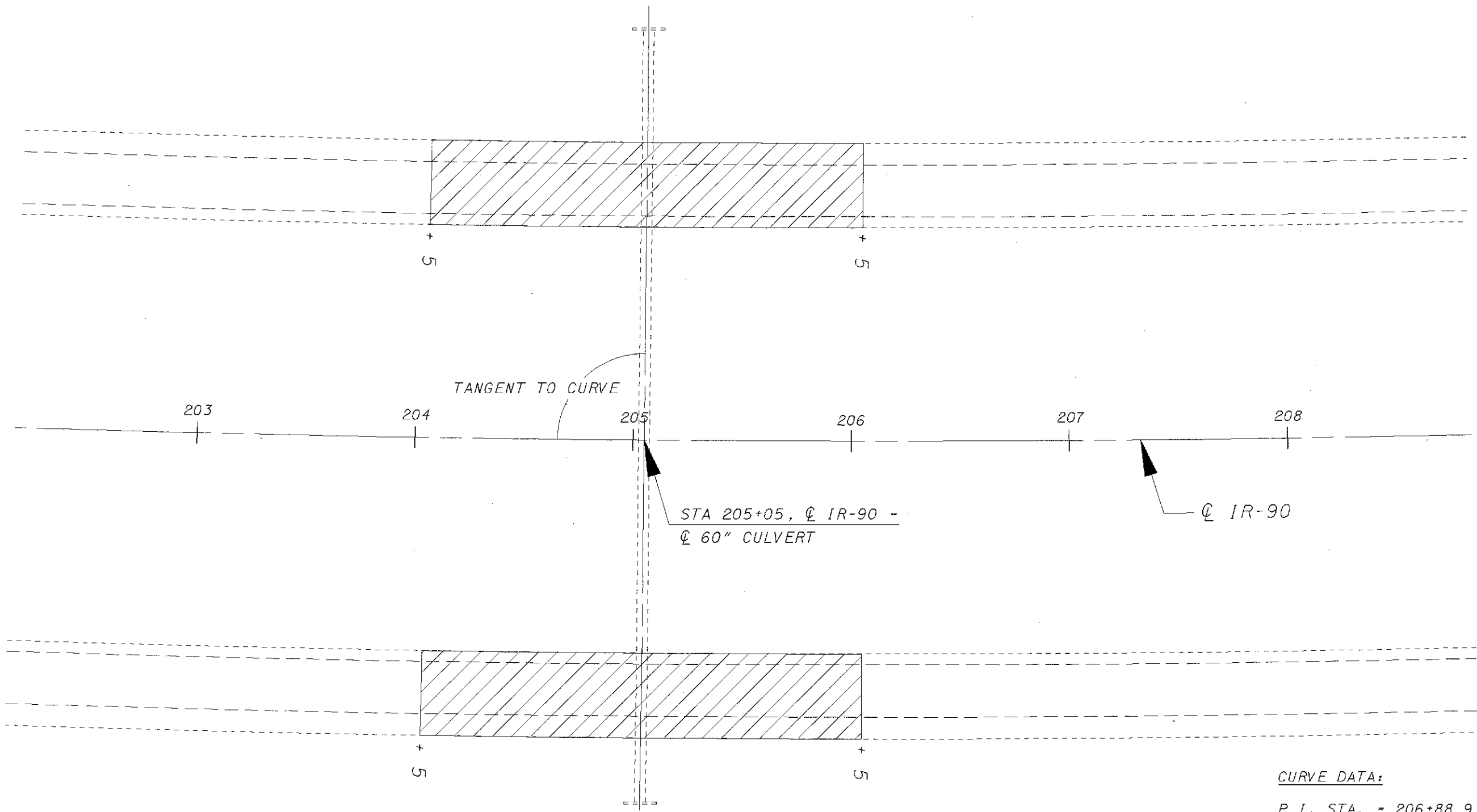



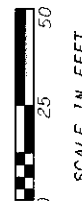
PLOTTED BY: ekallio  
 PLOTTED FROM: i:\PROJECTS\PID21525\DCN\21525gpa.dgn  
 21525GPA.DGN  
 PLOT SUBMITTED: 31-AUG-2000 11:10



**CURVE DATA:**  
 P.I. STA. = 206+88.93  
 $\Delta$  = 33° 09' 30" (LT)  
 Dc = 0° 28' 00"  
 R = 12,277.70'  
 T = 3,655.27'  
 L = 7,105.36'  
 E = 532.51'

 AREA OF REPAIR, AS DETERMINED BY THE ENGINEER

SEE SHEET 10 FOR ADDITIONAL DETAILS

  SCALE: IN FEET	CALCULATED EMK	<b>IR-90 PLAN SHEET - SLM 11.61</b>
	CHECKED LDH	
<b>LAKE COUNTY</b> <b>LAK-608-0.38 / VAR</b>		
8 / 12		