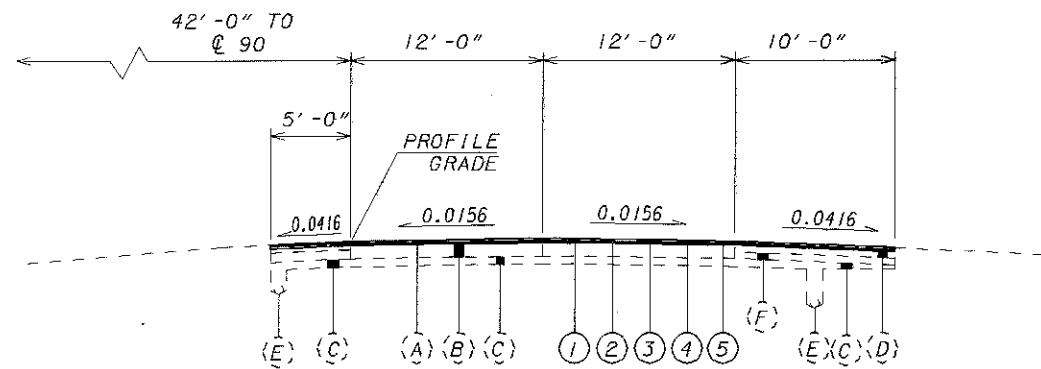


2 LANE NORMAL SECTION

@ SLM 11.61  
 (FOR LEFT LANES  
 MIRROR ABOUT C)



2 LANE NORMAL SECTION

@ SLM 17.89  
 (FOR LEFT LANES  
 MIRROR ABOUT C)

**LEGEND**

**PROPOSED**

- ① ITEM 202 - WEARING COURSE REMOVED
- ② ITEM 407 - TACK COAT
- ③ ITEM 407 - TACK COAT FOR INTERMEDIATE COURSE
- ④ ITEM 448 - 1-1/2" ASPHALT CONCRETE SURFACE COURSE, TYPE 1H, AS PER PLAN
- ⑤ ITEM 448 - 1-1/2" ASPHALT CONCRETE INTERMEDIATE COURSE, TYPE 1, PG64-28

**EXISTING**

- (A) ASPHALT OVERLAY (3"±)
- (B) 10" REINFORCED CONCRETE BASE
- (C) SUBBASE
- (D) BIT. AGGREGATE BASE OR AGGREGATE BASE
- (E) UNDERDRAIN
- (F) AGGREGATE BASE

