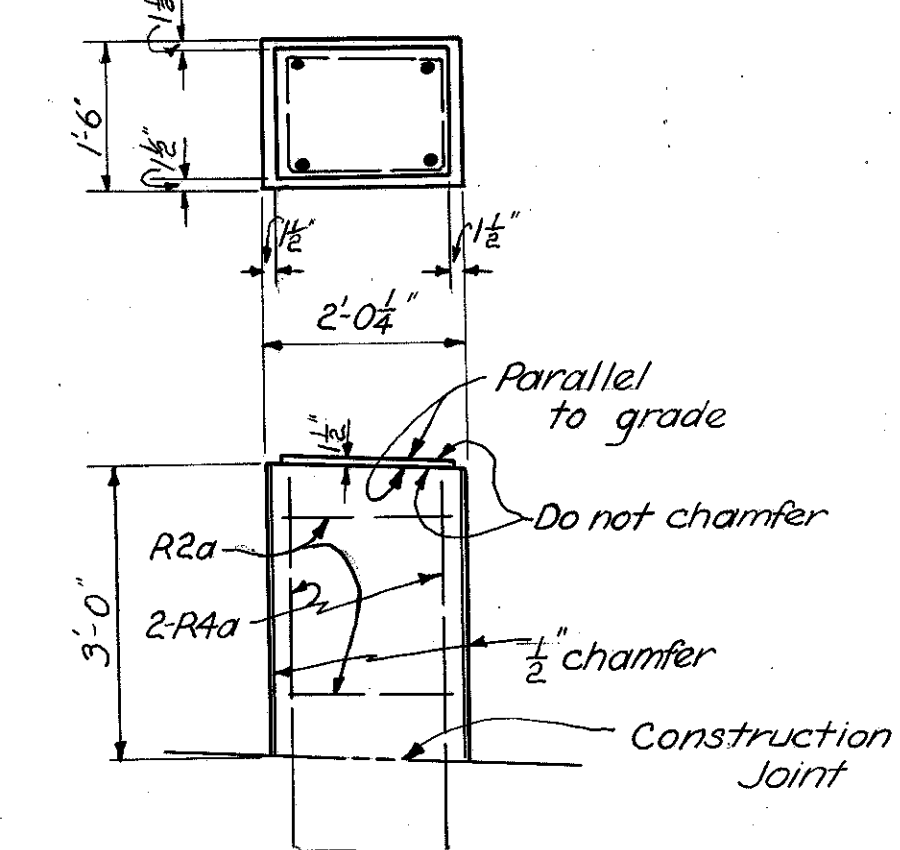
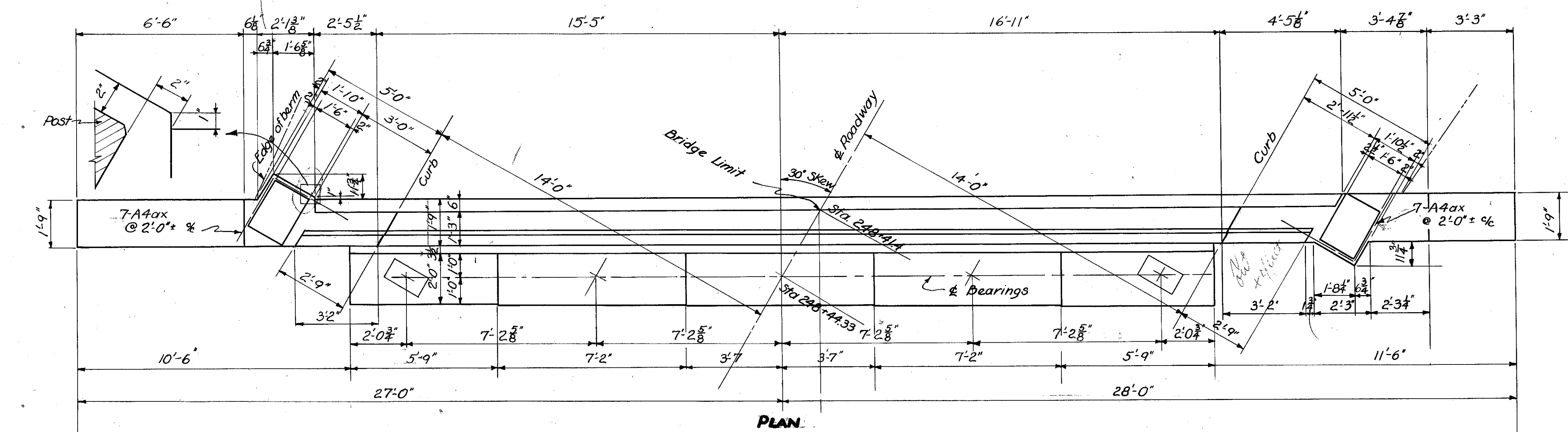
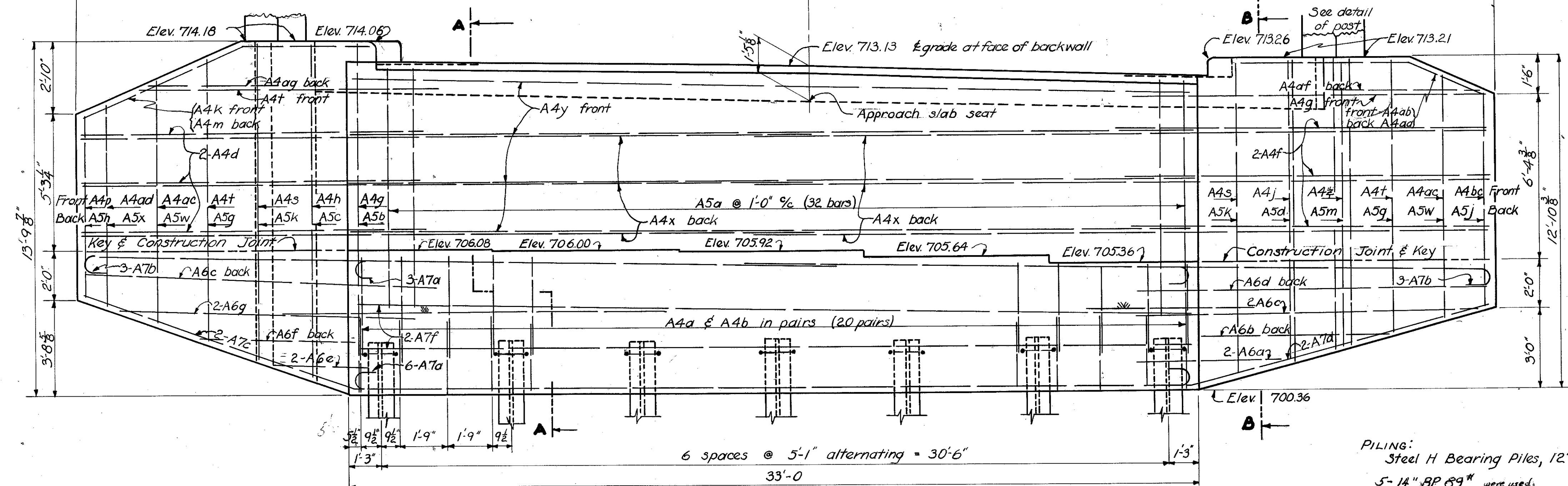


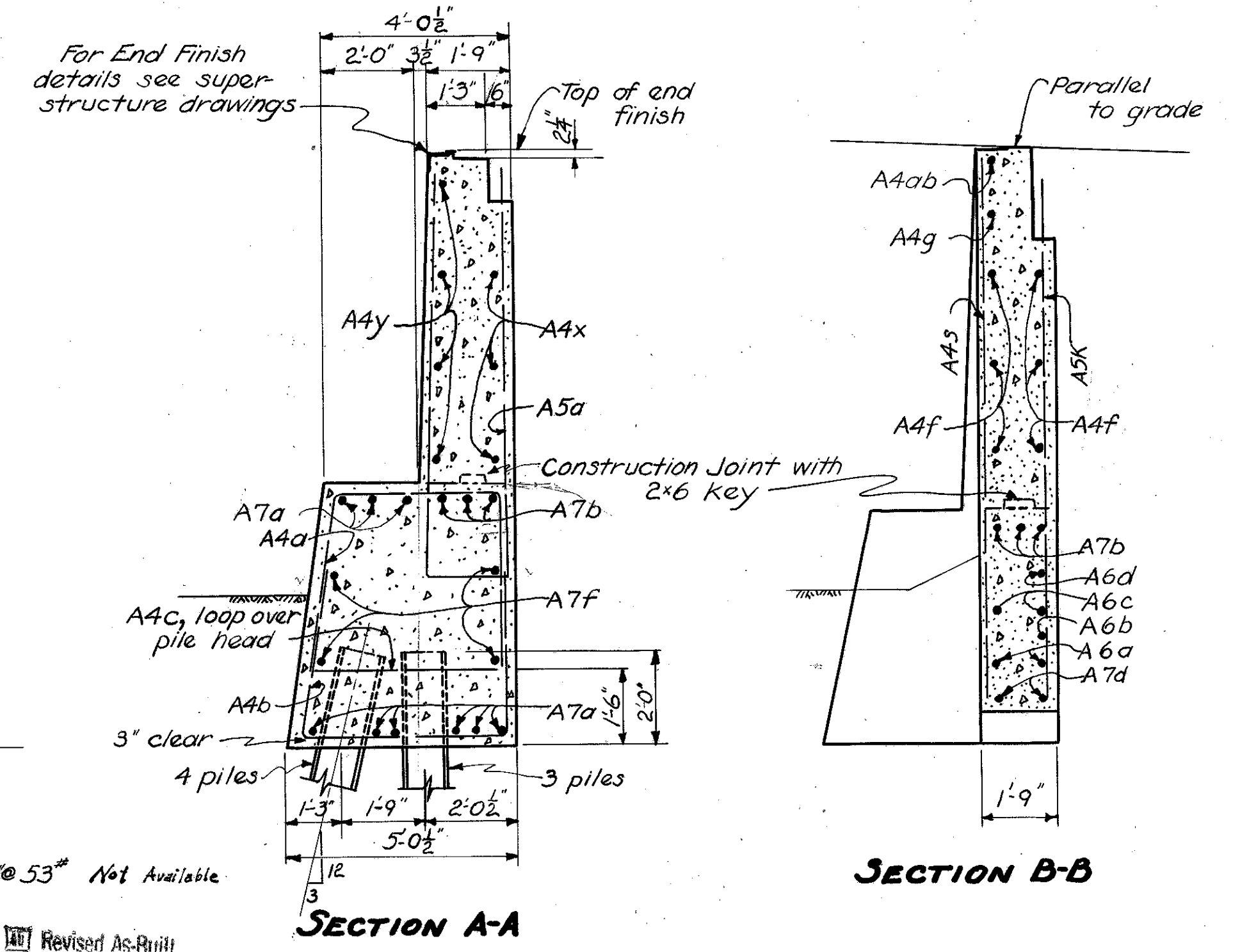
LAKE COUNTY
LAK-6-(3.60-3.76)
LAK-174-1.50



RAILING POST DETAIL
Include posts with railing for payment.



FRONT ELEVATION



PILING:
Steel H Bearing Piles, 12" x 53" Not Available.
5-14" BP 89" were used.
Revised As-Built
12-16-55

ABUTMENT NOTES

1. Earth fill around the West Abutment shall be made full height of earth bench. Excavation shall then be made for abutment cap, after which piling shall be driven. If bottom forms are used, they shall be left in place.
2. Concrete above bridge seat construction joint shall not be placed until after steel work is erected. Steel end finish shall be used as a template for top of backwall.
3. Provide 1/2" wash on bridge seat except at bearings which shall be level and at the elevations given.
4. Reinforcing steel shall clear surface of concrete 2" minimum, unless otherwise noted.
5. Contractor shall exercise care to have a firm bearing between upper and lower elements of the end finish while backwall concrete is being placed and to completely fill the space under the end finish with concrete.

STATE OF OHIO DEPARTMENT OF HIGHWAYS BUREAU OF BRIDGES AND RAILROAD CROSSINGS						
West Abutment Details						
BRIDGE No. LA-6-47 OVER CHAGRIN RIVER LAKE COUNTY SEC. LAK-6-(3.60-3.76) Sta. 250+330 F-366(1)						
DESIGNED	DRAWN	TRACED	CHECKED	REVIEWED	DATE	REVISED
CHW	GR	JH	C.F.B.	W.H.R.	4-11-50	