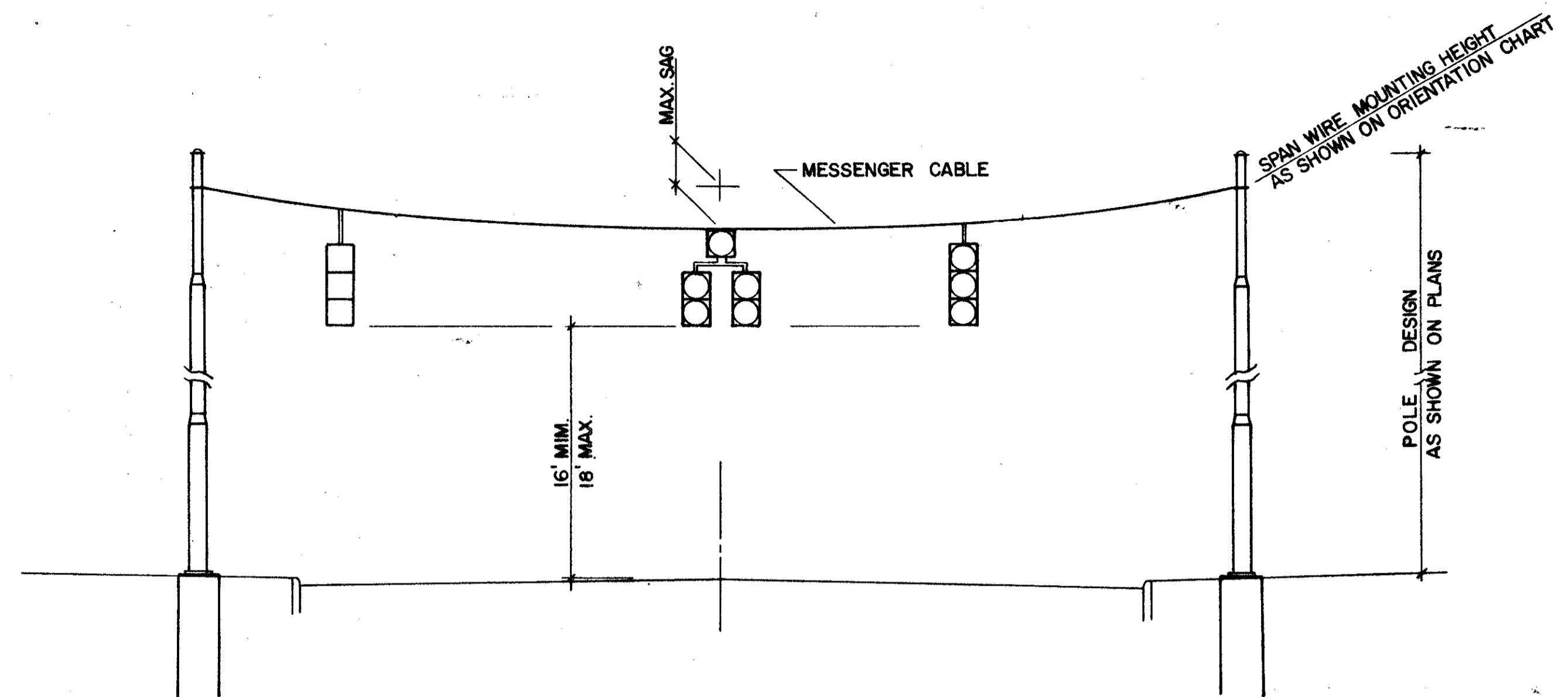


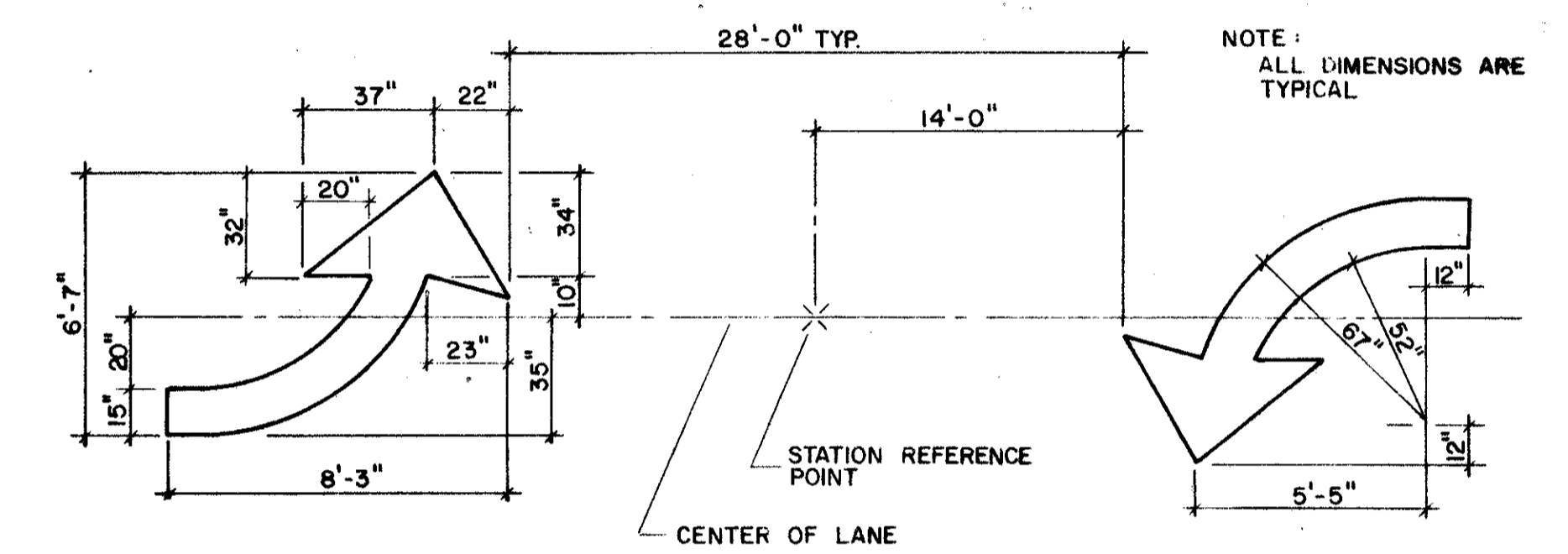
LAKE COUNTY



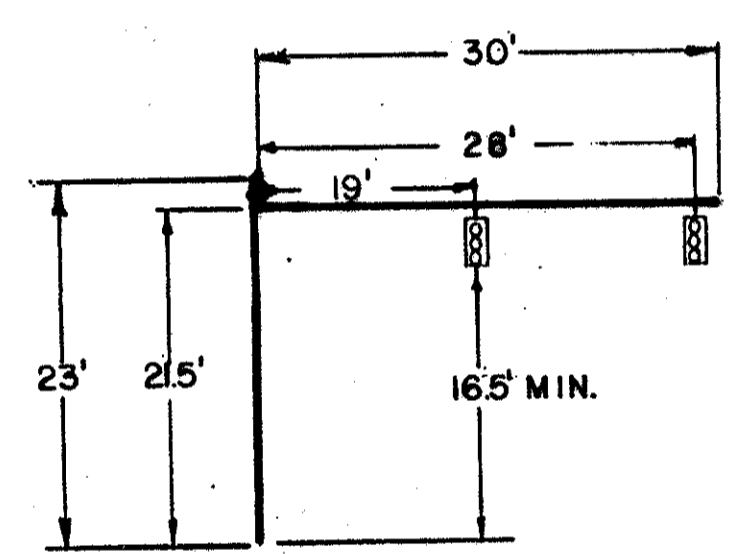
TYPICAL SPAN ELEVATION

DESCRIPTION OF ITEMS TO BE REMOVED BY THE CONTRACTOR	ITEMS TO BE STORED FOR THE CITY OF WILLOUGHBY HILLS	ITEMS TO BE DISPOSED OF BY THE CONTRACTOR
ALL CONTROLLERS w/ CABINETS and ACCESSORIES	X	
ALL SIGNAL HEADS	X	
MESSENGER WIRE and SIGNAL CABLE		X
EXISTING SIGNAL STRAIN POLE	X	
SPAN WIRE MOUNTED SIGNS	X	

REMOVAL ITEM CHART

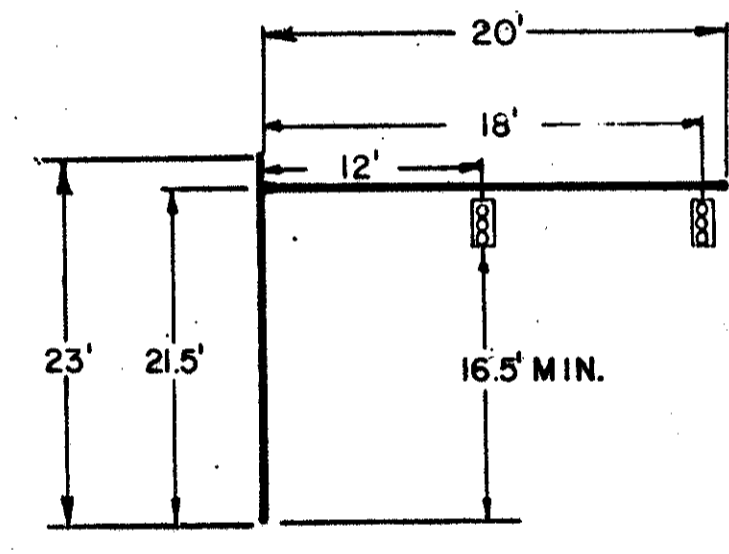


TYPICAL TWO-WAY LEFT TURN ARROWS

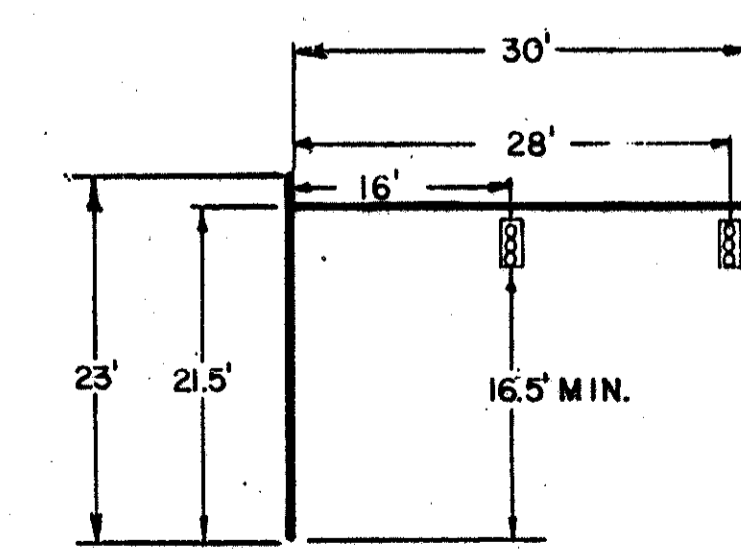


MAST ARM DIAGRAM

MAST ARM P1 SHEET 10

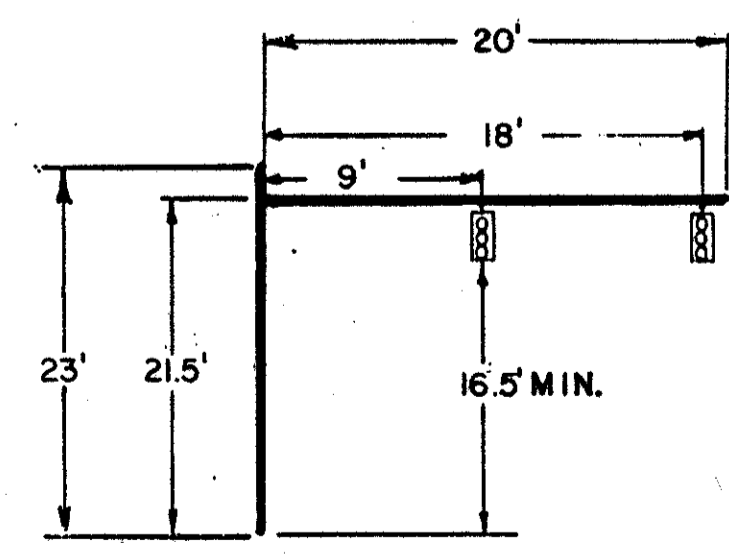


MAST ARM DIAGRAM



MAST ARM DIAGRAM

MAST ARM P2 SHEET 10



MAST ARM DIAGRAM



R-73-C 9" x 12"

TYPICAL SIGN FOR PED. PUSHBUTTONS

TRAFF-PRO CONSULTANTS INC.
WILLOUGHBY, OHIO

STATE OF OHIO
DEPARTMENT OF TRANSPORTATION

DETAILS

DESIGNED	DRAWN	TRACED	CHECKED	REVIEW	DATE	REVISED