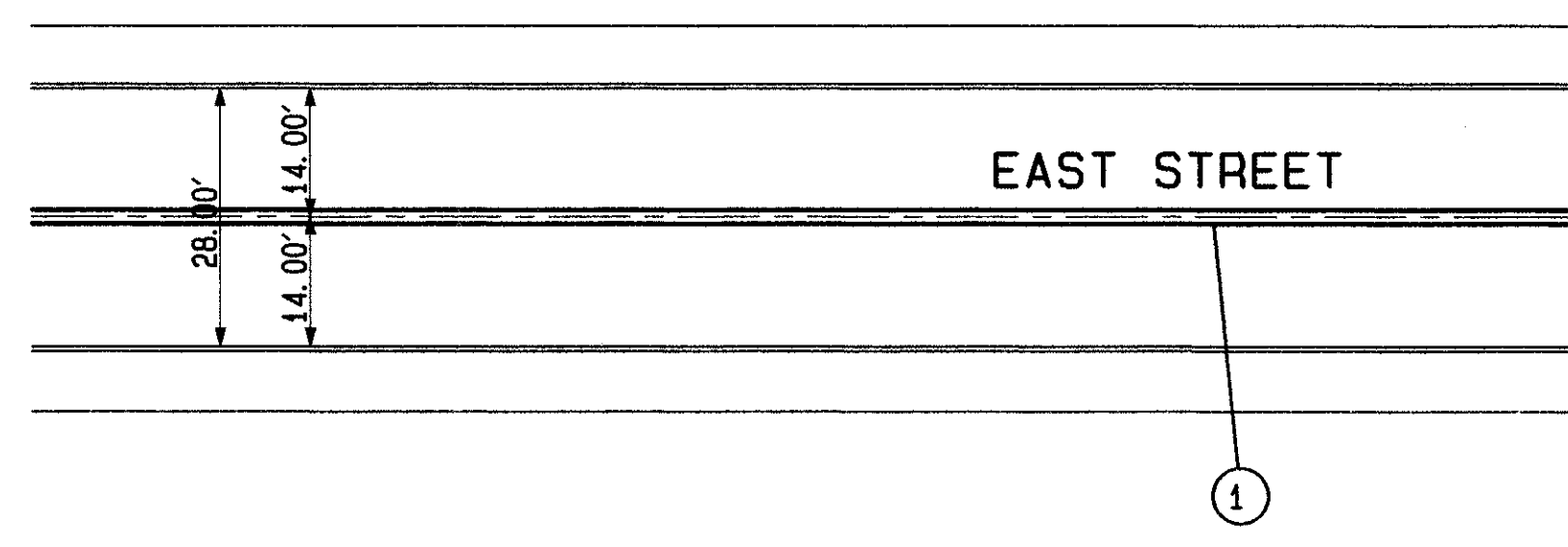
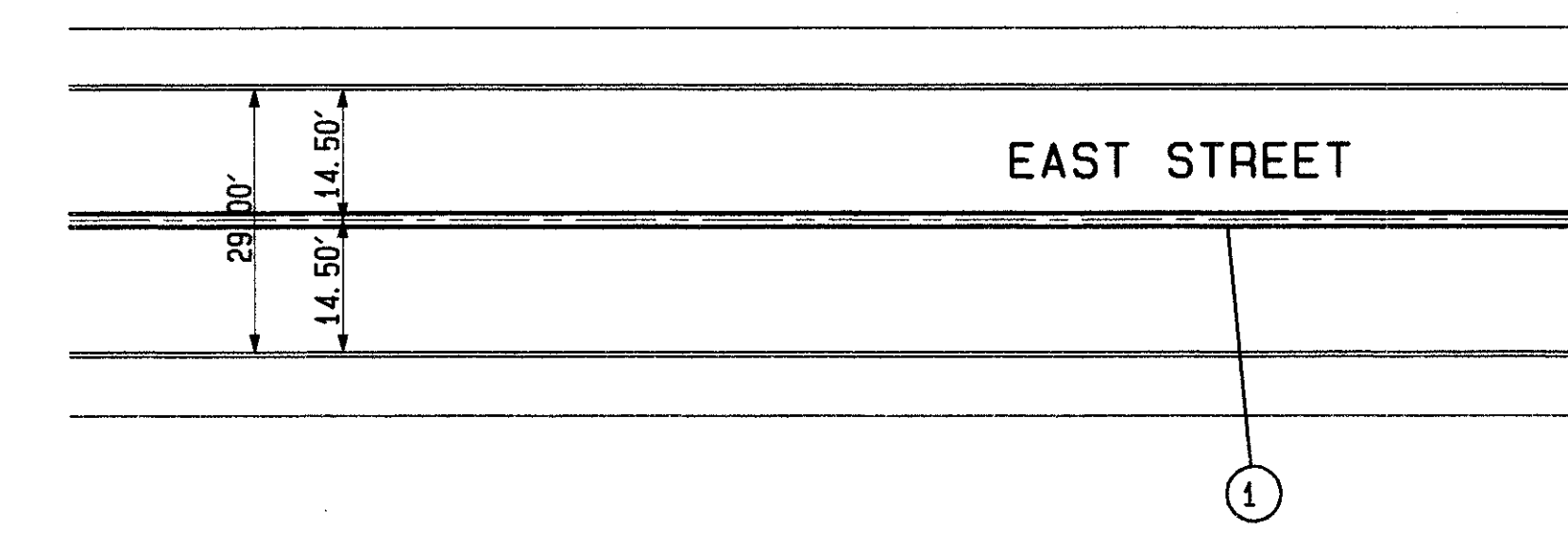


PLAN NO. 211

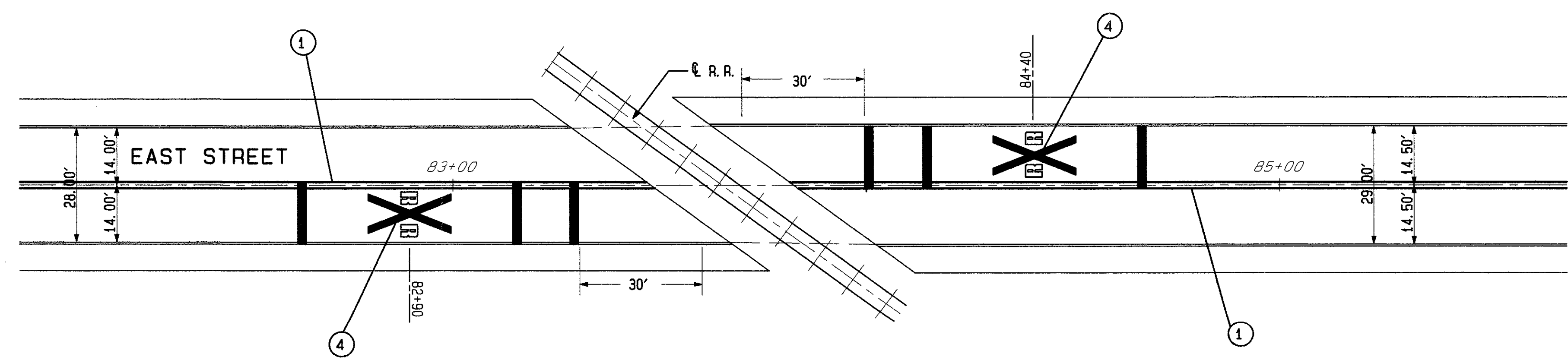
PAVEMENT MARKING DETAILS



NORMAL TWO LANE SECTION
EAST STREET
STA. 49+55.14 TO STA. 83+48.00



NORMAL TWO LANE SECTION
EAST STREET
STA. 83+82.00 TO STA. 96+14.36



NORMAL TWO LANE SECTION AT RAILROAD
EAST STREET

LEGEND

- ① ITEM 642 - DOUBLE YELLOW CENTERLINE, TYPE 2
- ② ITEM 642 - STOP LINE, TYPE 2
- ③ ITEM 642 - CROSSWALK LINE, TYPE 2
- ④ ITEM 642 - RAILROAD SYMBOL MARKING, TYPE 2

90483 TUE 01/19/93 07:58 AM JACK FILES: PVMK1.PLT