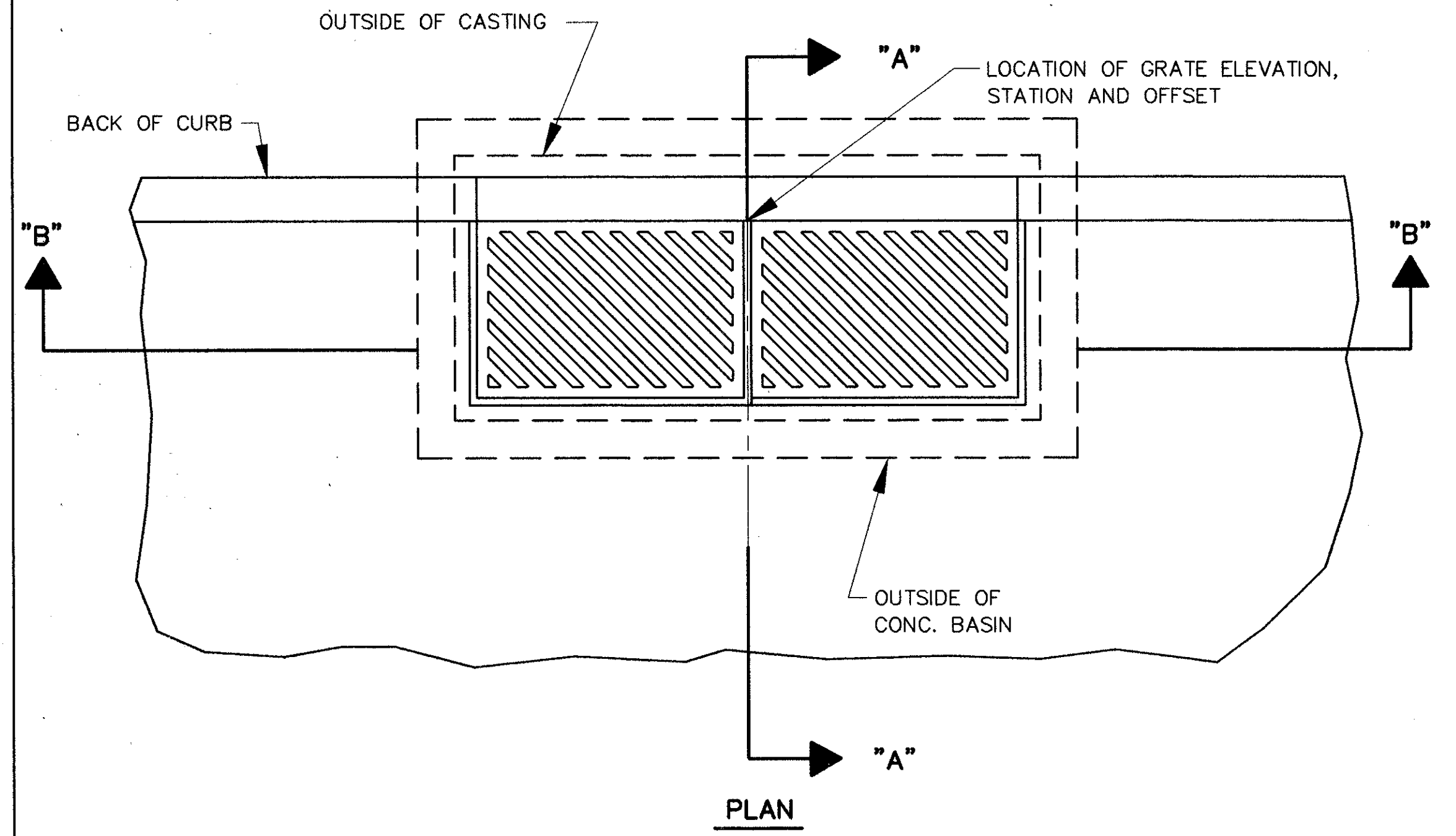
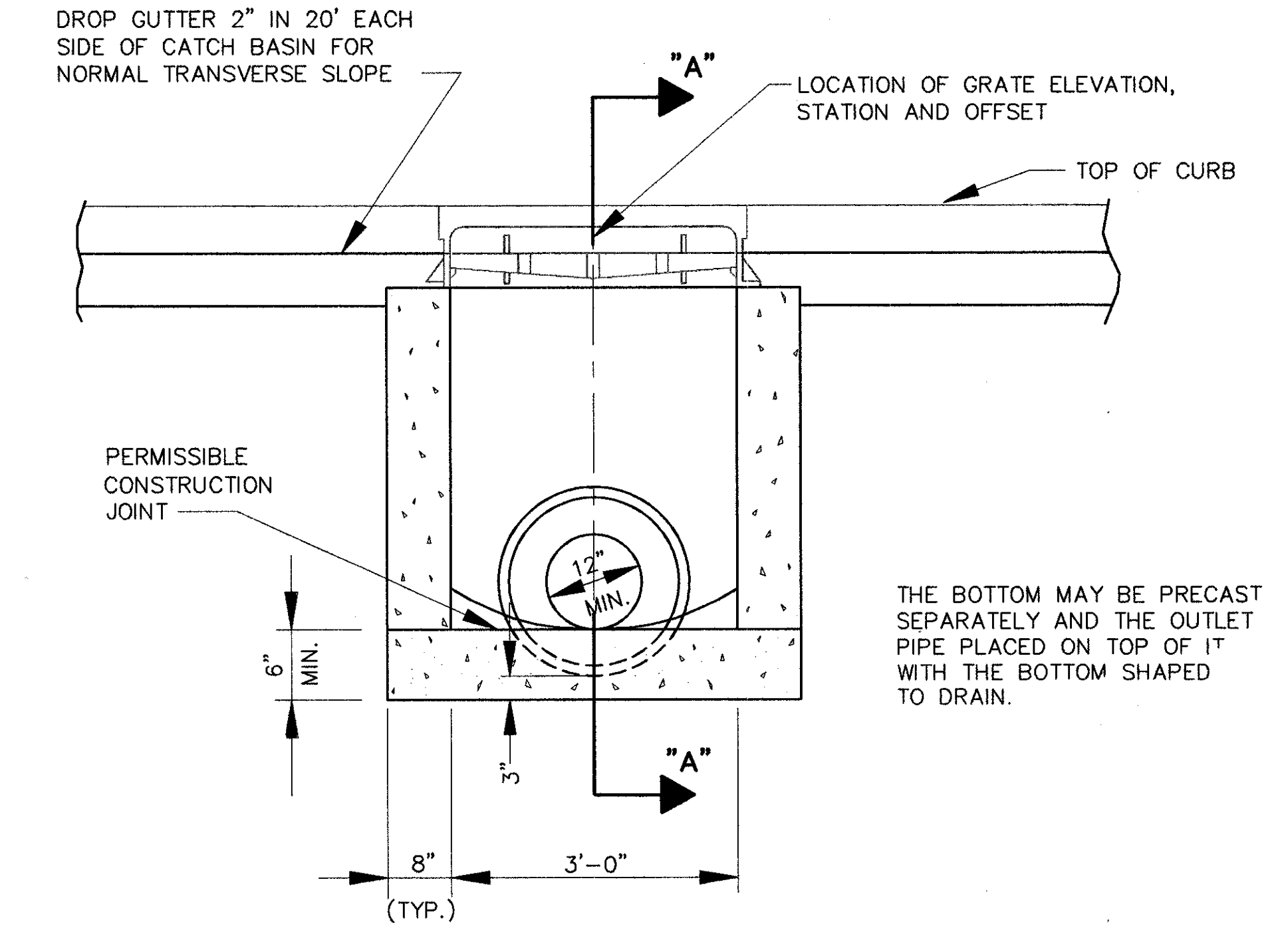
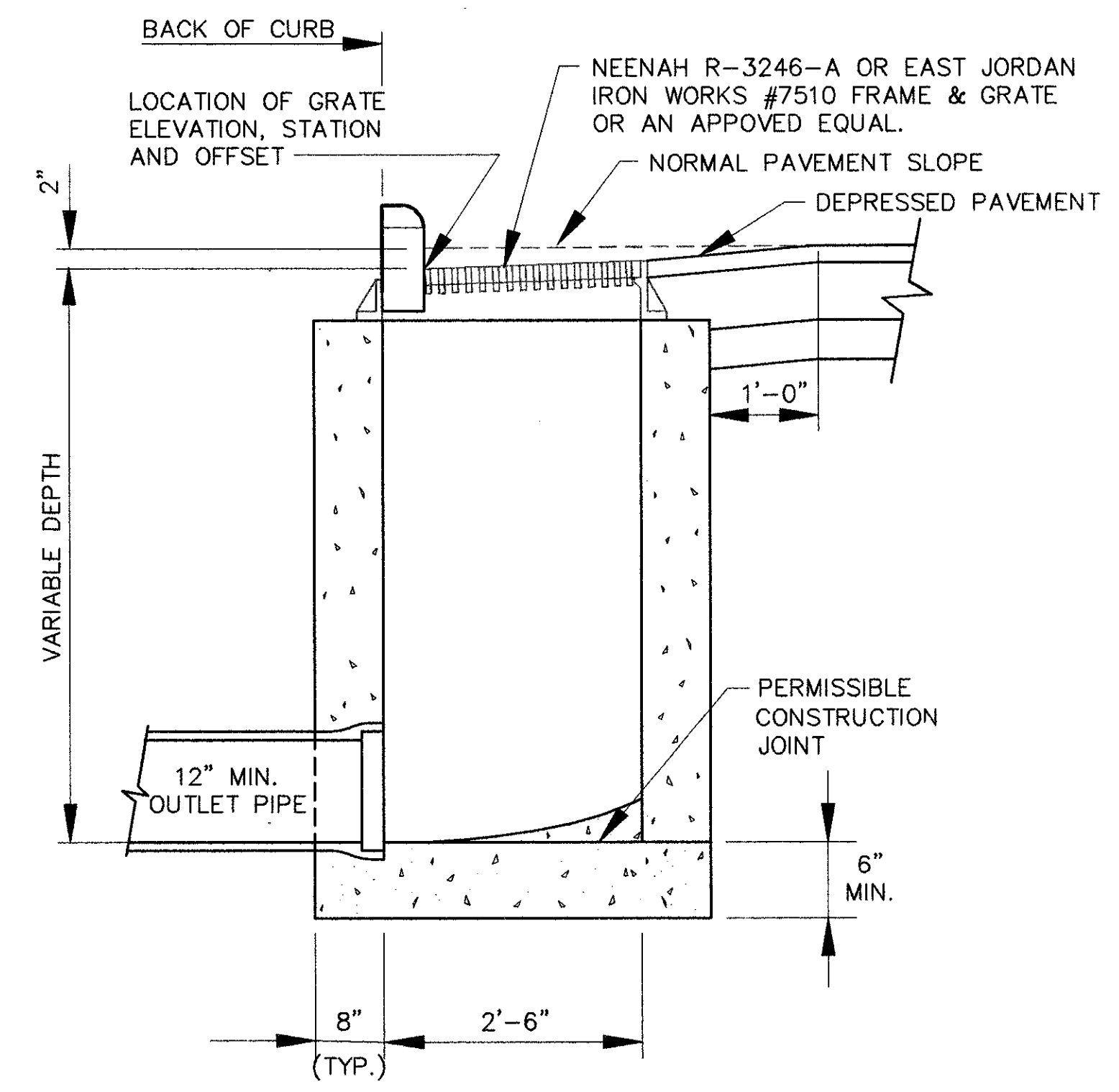
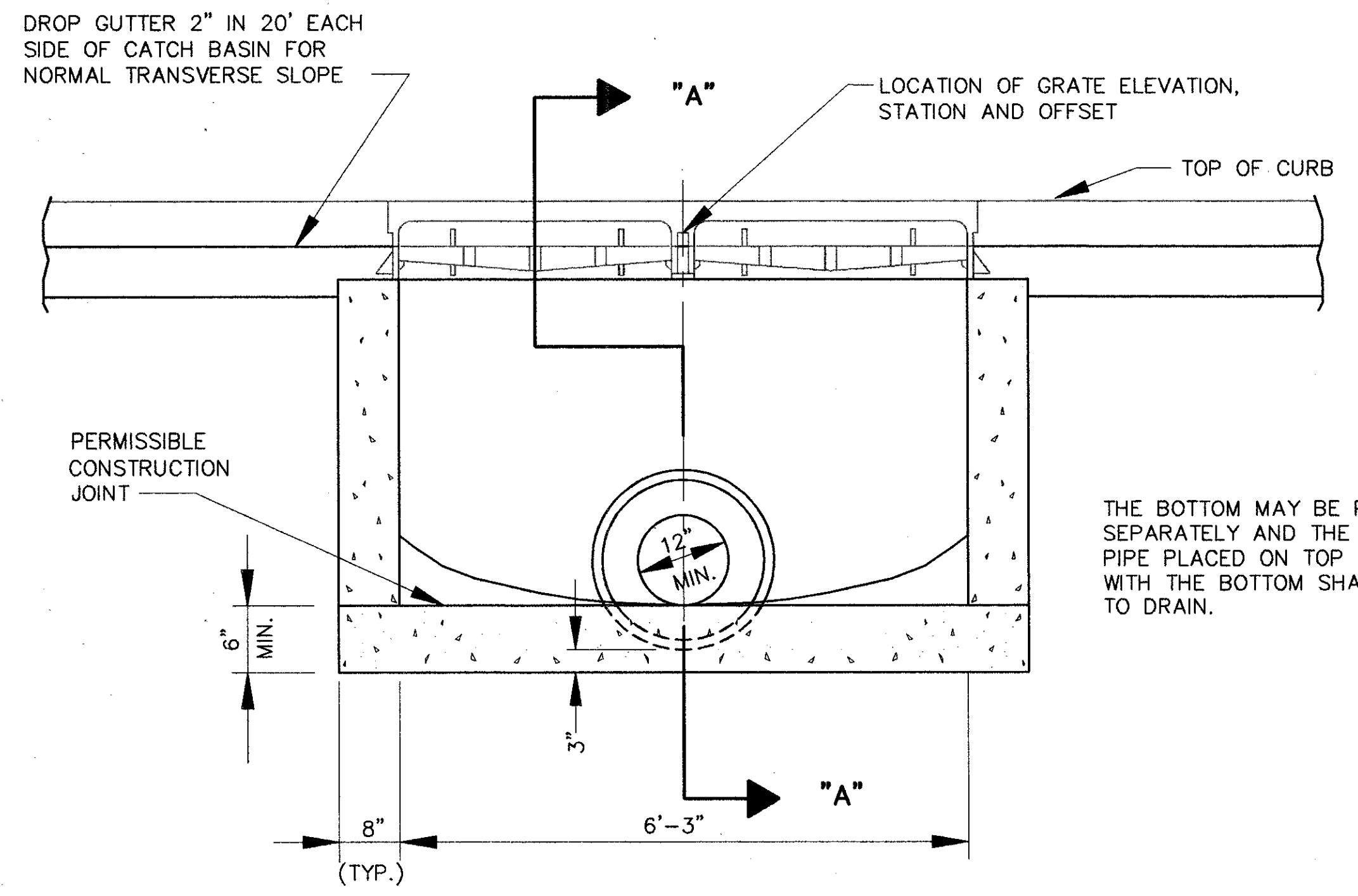
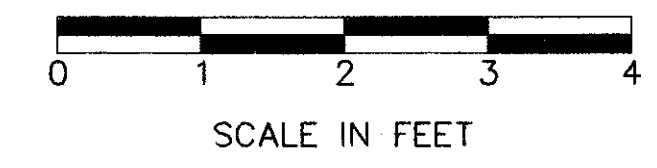


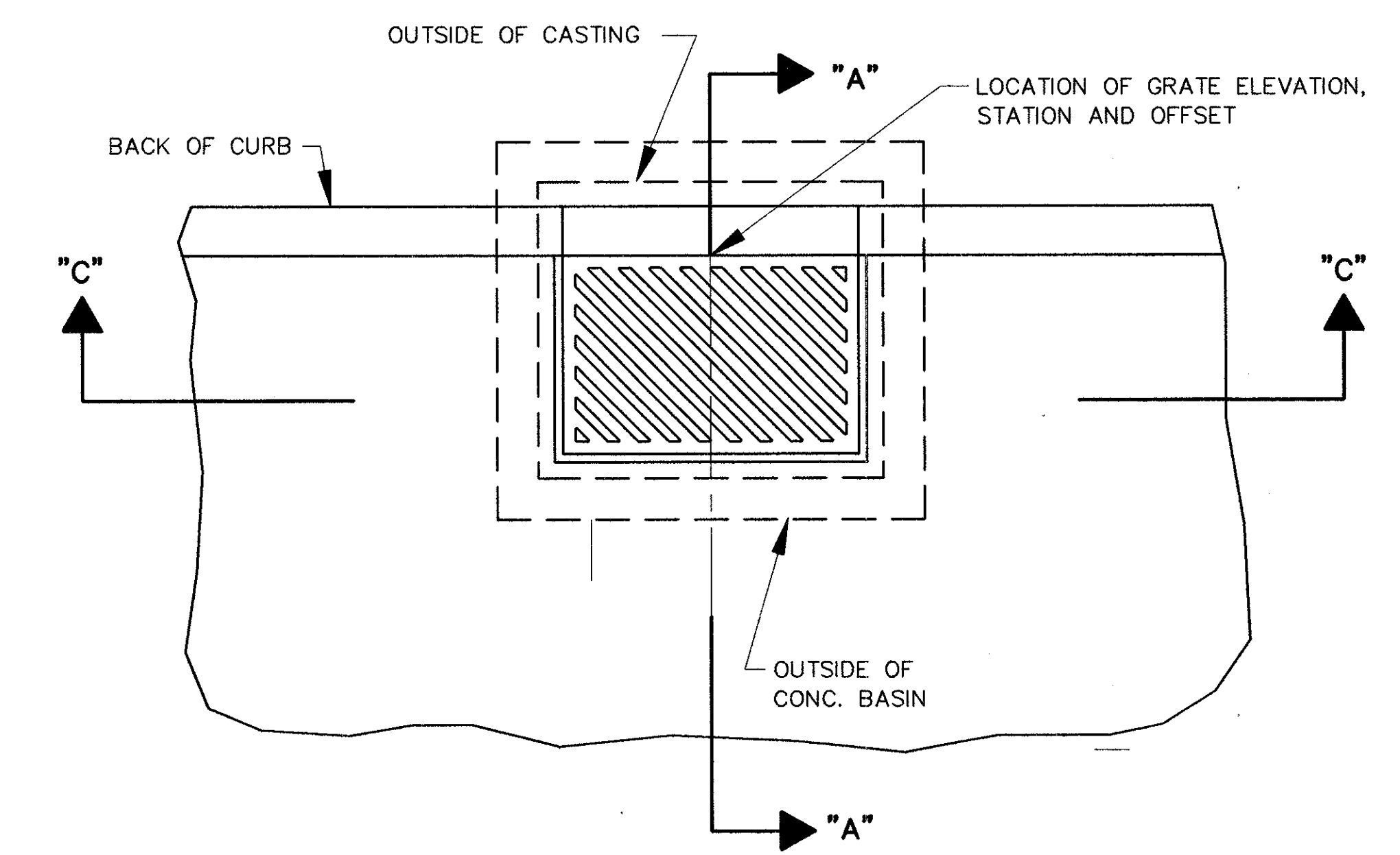
# DRAINAGE DETAILS

PLAN NO. 271



**CATCH BASIN, NO. 3 AS PER PLAN**

(FOR DETAILS NOT SHOWN, SEE STANDARD CONSTRUCTION DRAWING CB-3)



**CATCH BASIN, NO. 3A AS PER PLAN**

(FOR DETAILS NOT SHOWN, SEE STANDARD CONSTRUCTION DRAWING CB-3A)