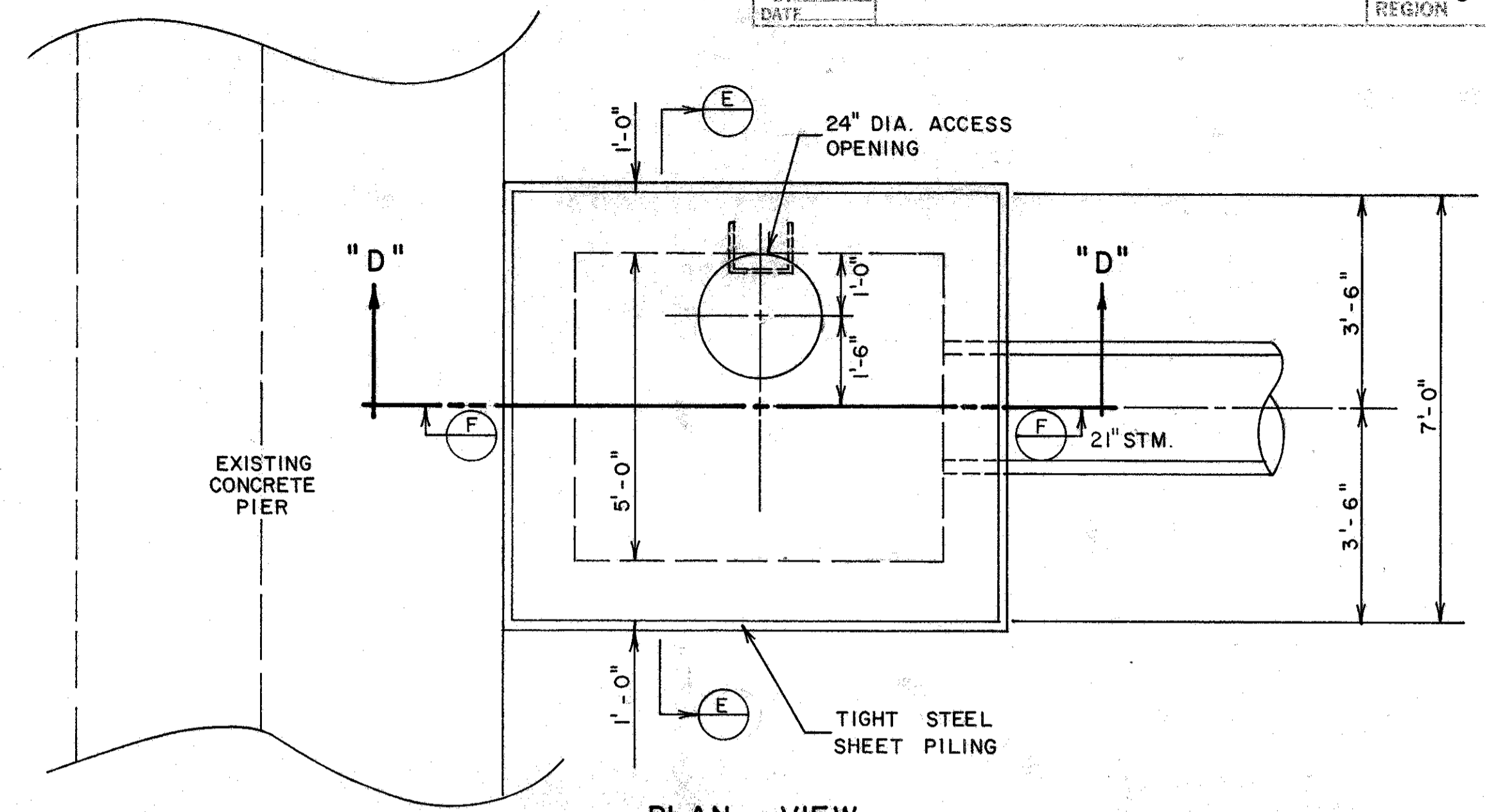
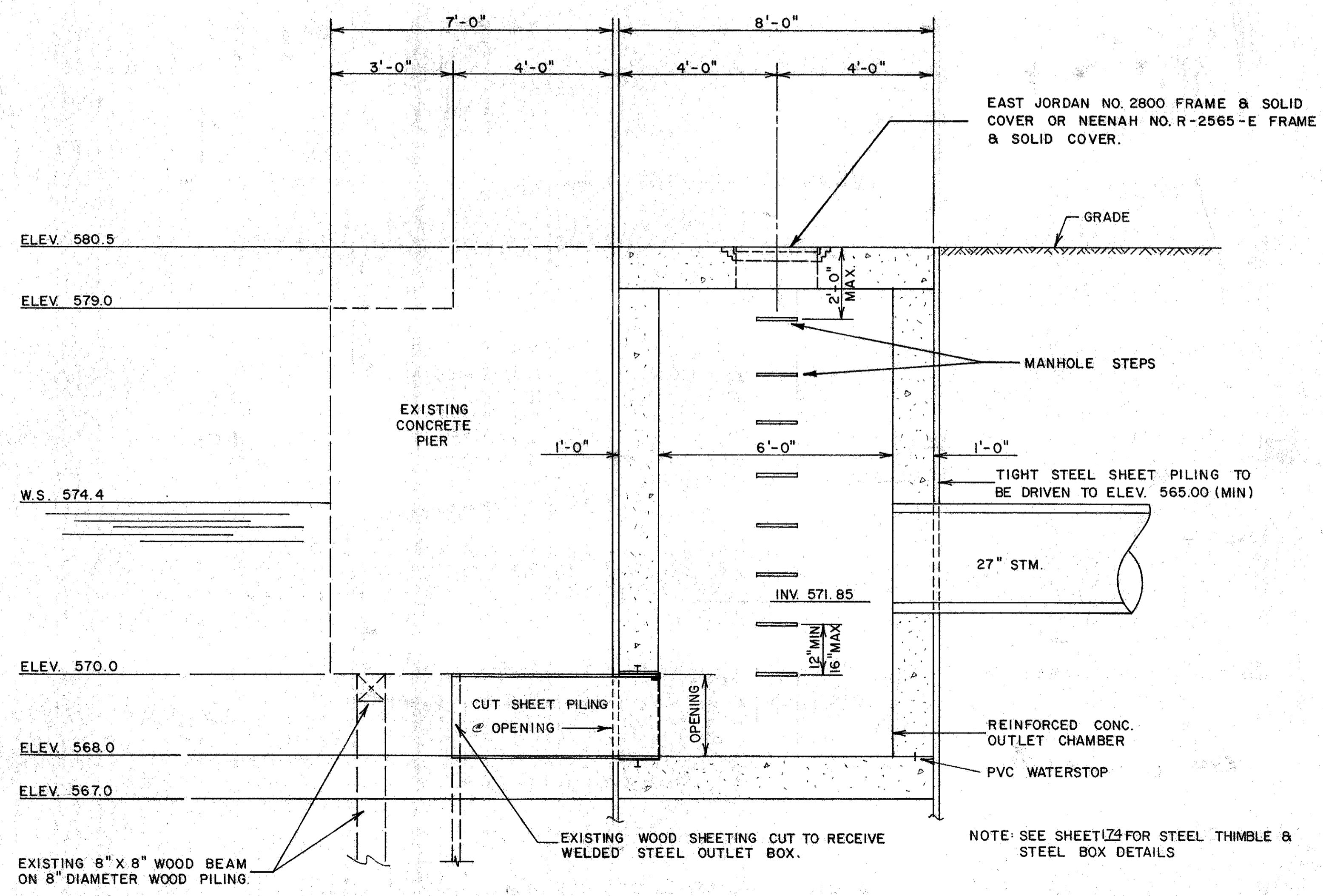


PLAN VIEW



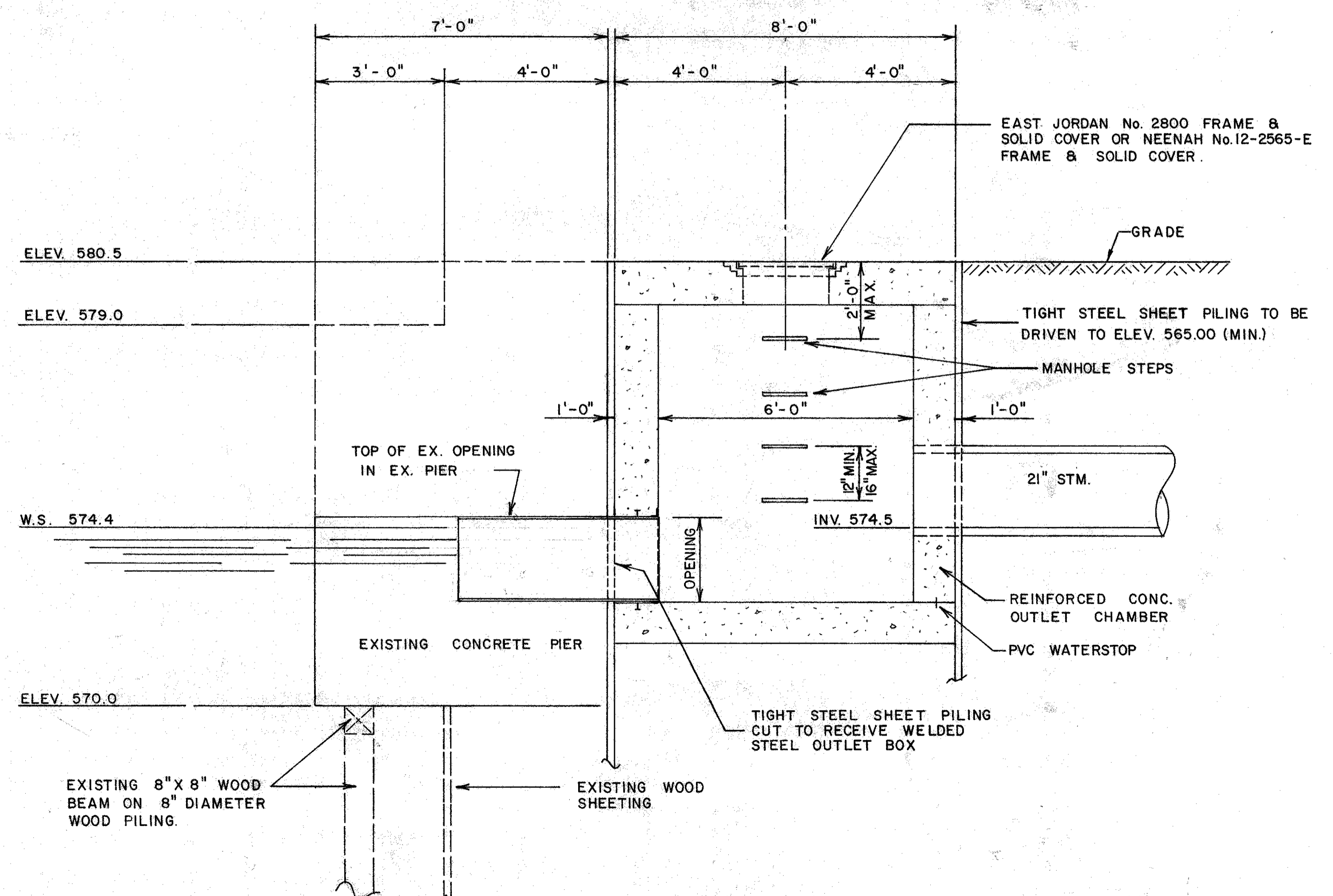
PLAN VIEW



SECTION "C" - "C"

OUTLET CHAMBER TYPE 3
STORM SEWER OUTLET STA. 123 + 71.5

SCALE: 1/2" = 1'-0"



SECTION "D" - "D"

OUTLET CHAMBER TYPE 1
STORM SEWER OUTLET STA. 119 + 58

SCALE: 1/2" = 1'-0"