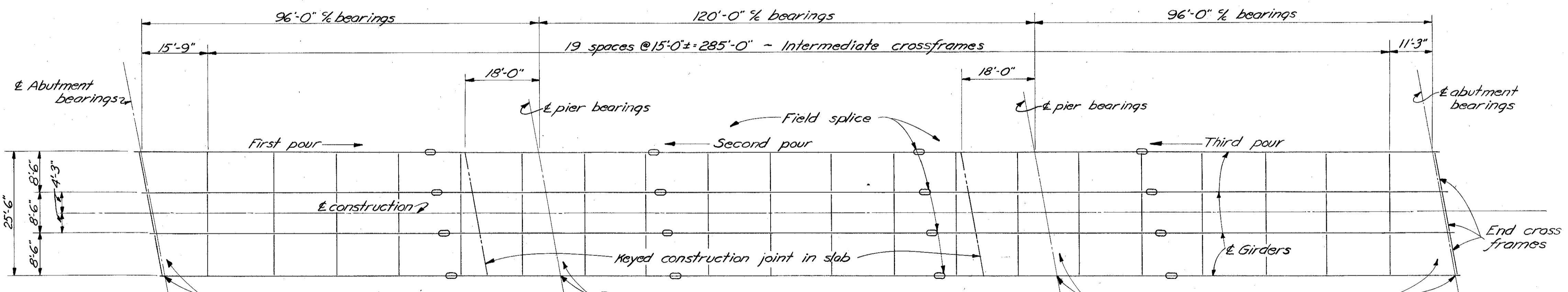
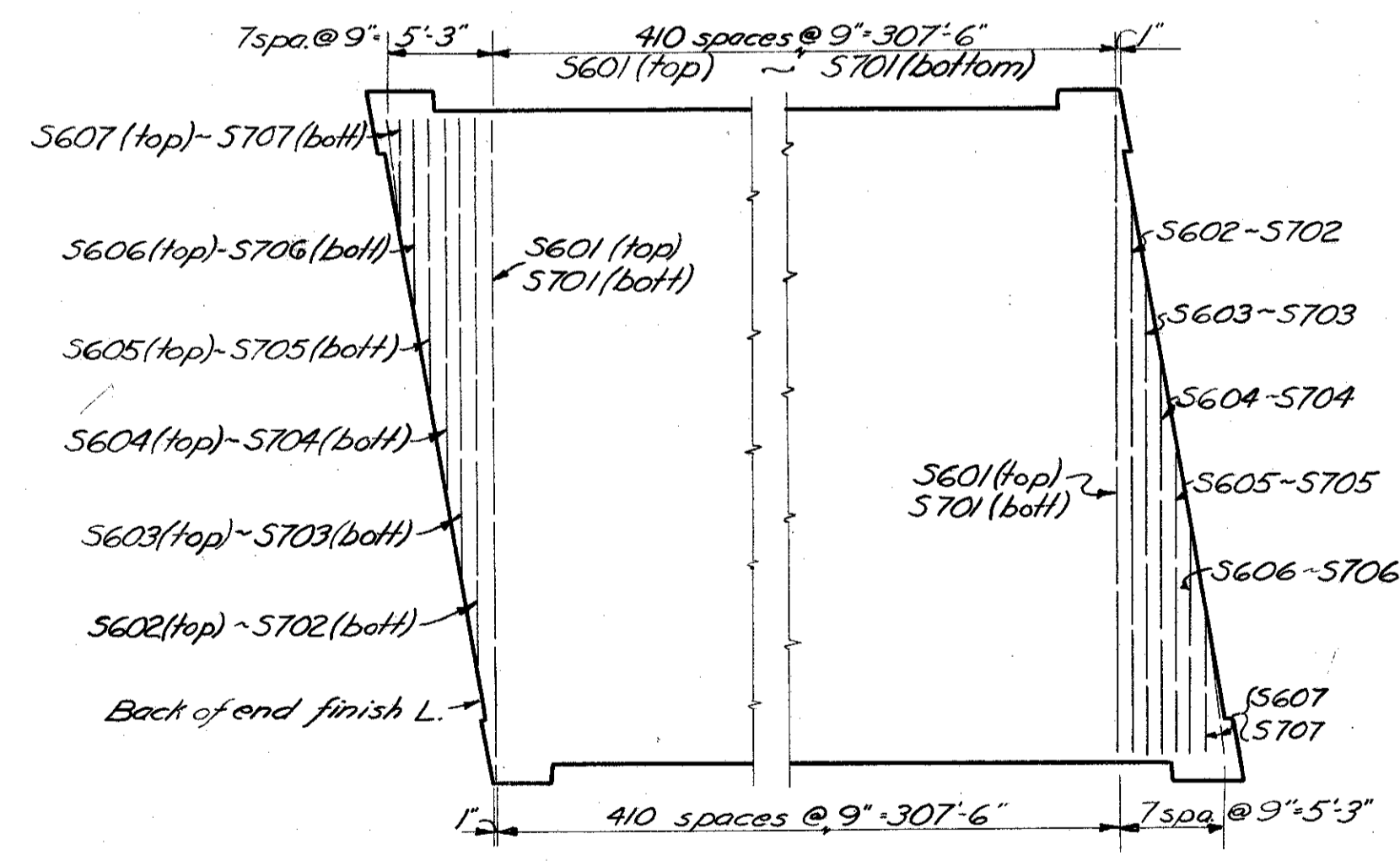


**TRANSVERSE SECTION THRU SUPERSTRUCTURE**

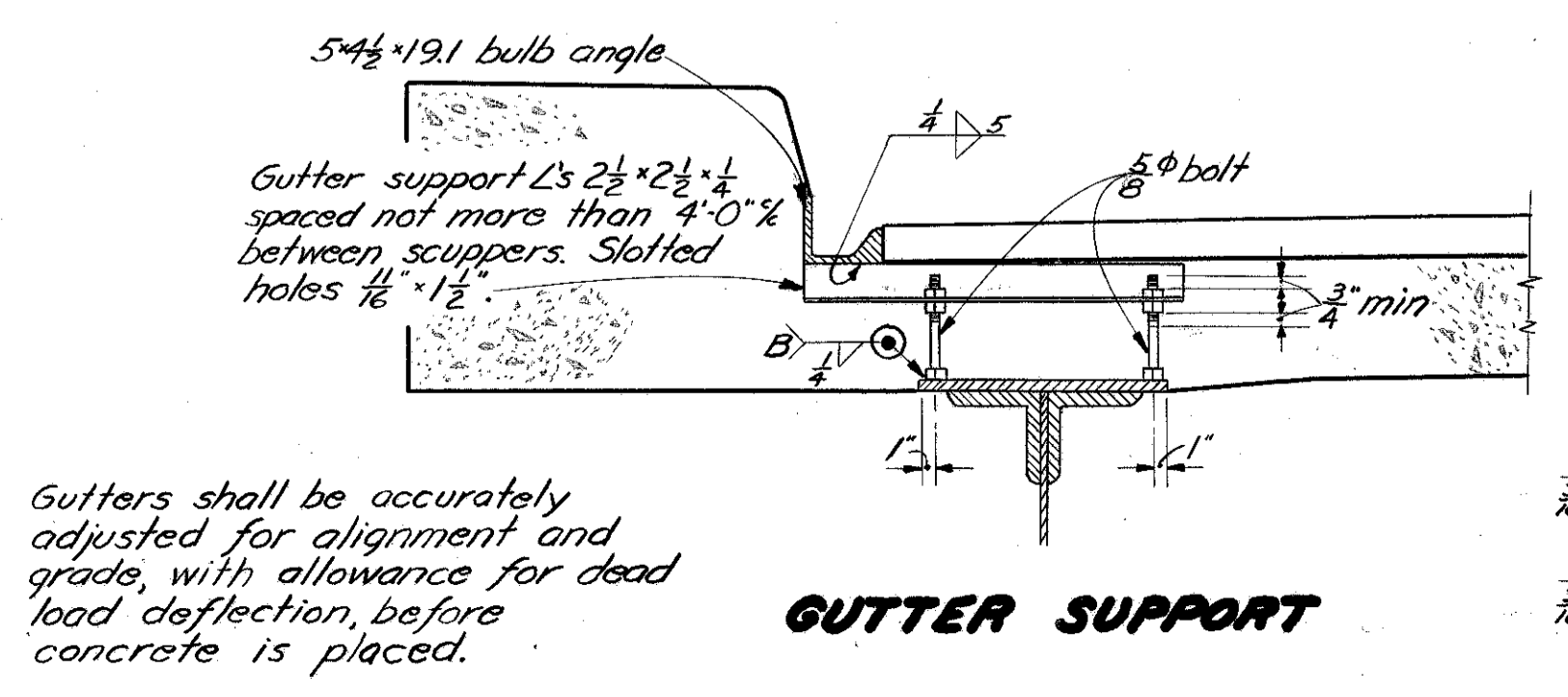
**TYPICAL DETAIL - ERECTION BOLT CONNECTION FOR DIAGONAL CROSS FRAME L'S**  
(At alternate lines of intermediate crossframes)



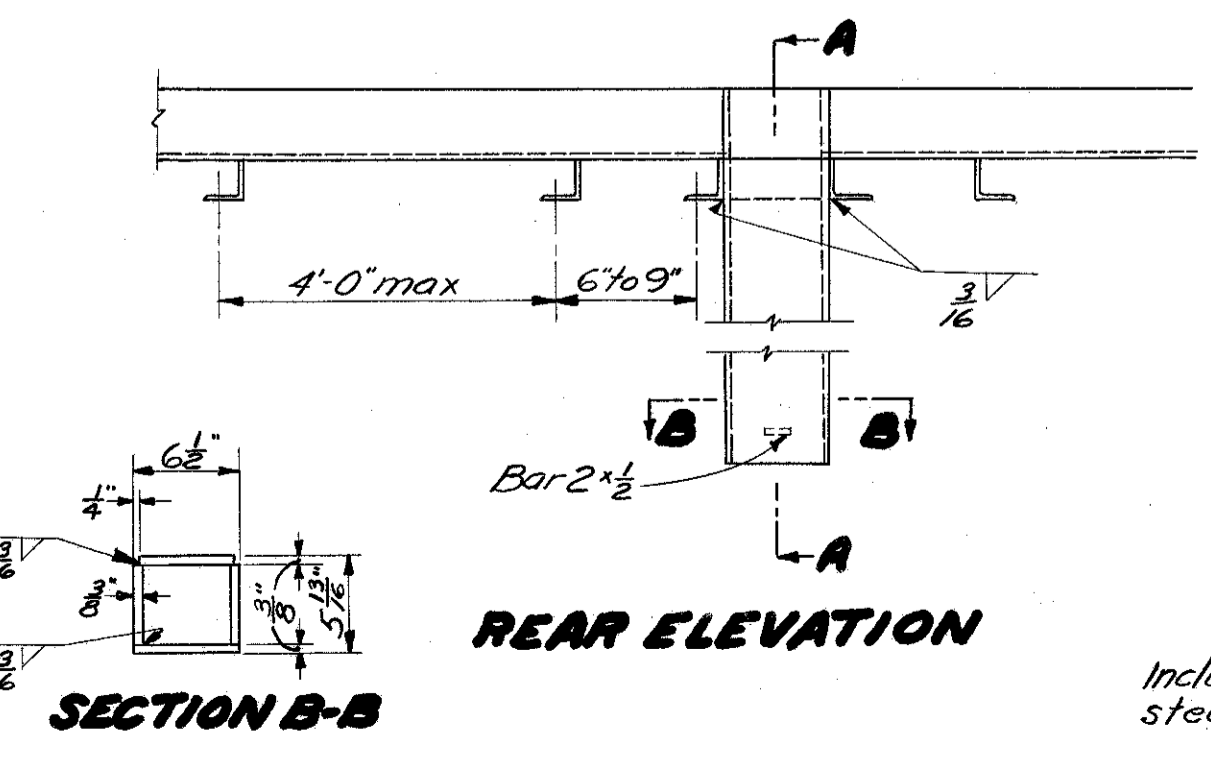
**STEEL FRAMING PLAN**  
(Slab pouring sequence shown)



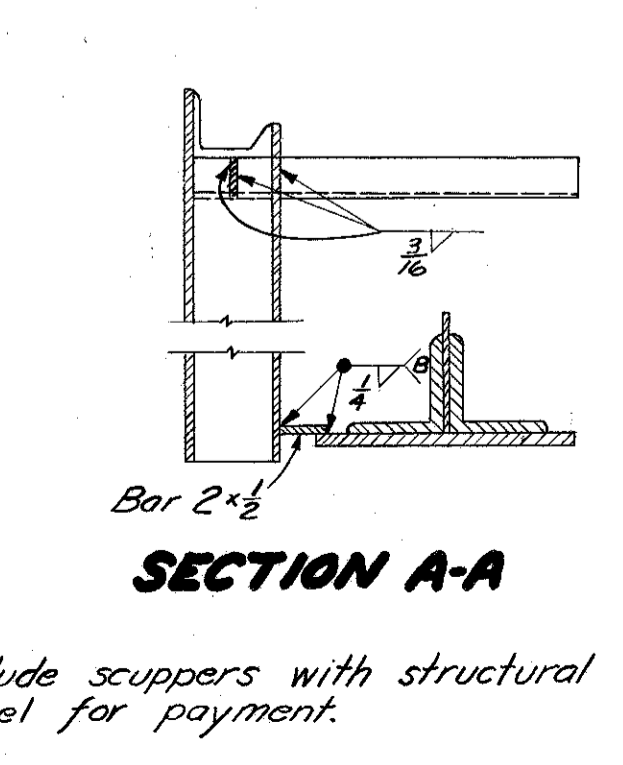
**PLAN OF SLAB REINFORCING STEEL**  
Longitudinal bars not shown



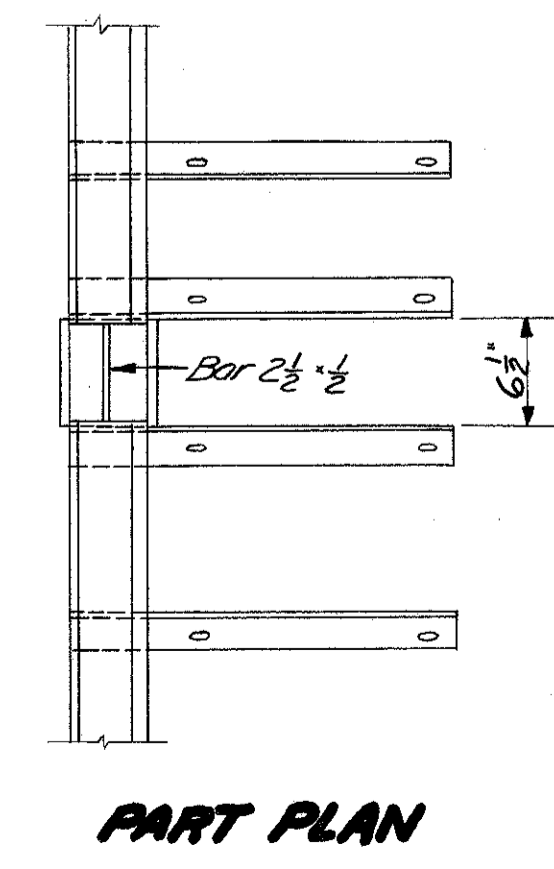
**GUTTER SUPPORT**



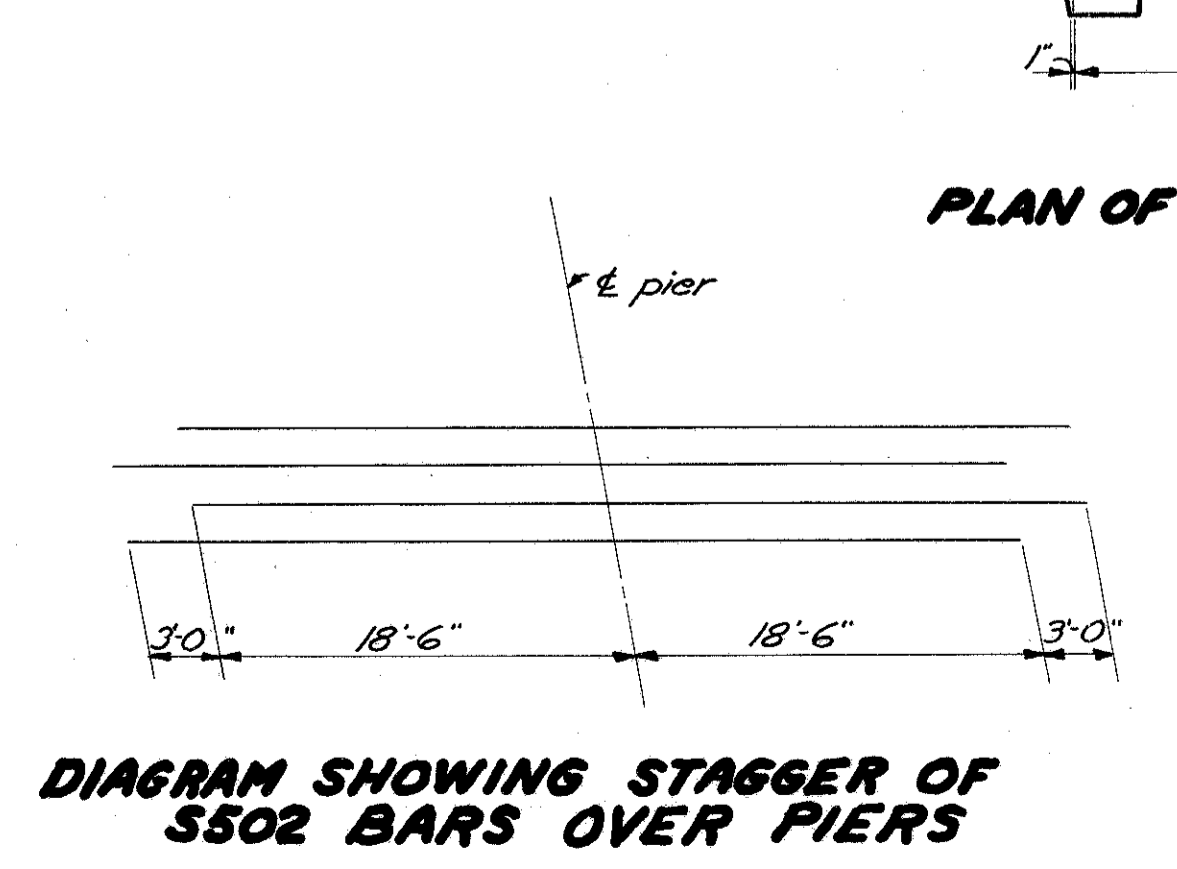
**REAR ELEVATION**



**SECTION A-A**



**PART PLAN**



**DIAGRAM SHOWING STAGGER OF S502 BARS OVER PIERS**

STATE OF OHIO DEPARTMENT OF HIGHWAYS DIVISION OF DESIGN AND CONSTRUCTION BUREAU OF BRIDGES					
<b>SUPERSTRUCTURE DETAILS</b>					
BRIDGE NO. LA-535-04 over GRAND RIVER LAKE CO.					
DESIGNED				DATE	
DRAWN				REVISED	
TRACED				DATE	
CHECKED				REVISED	
REVIEWED				DATE	
DATE				REVISED	
2-24-55				37+28.72 40+45.28	