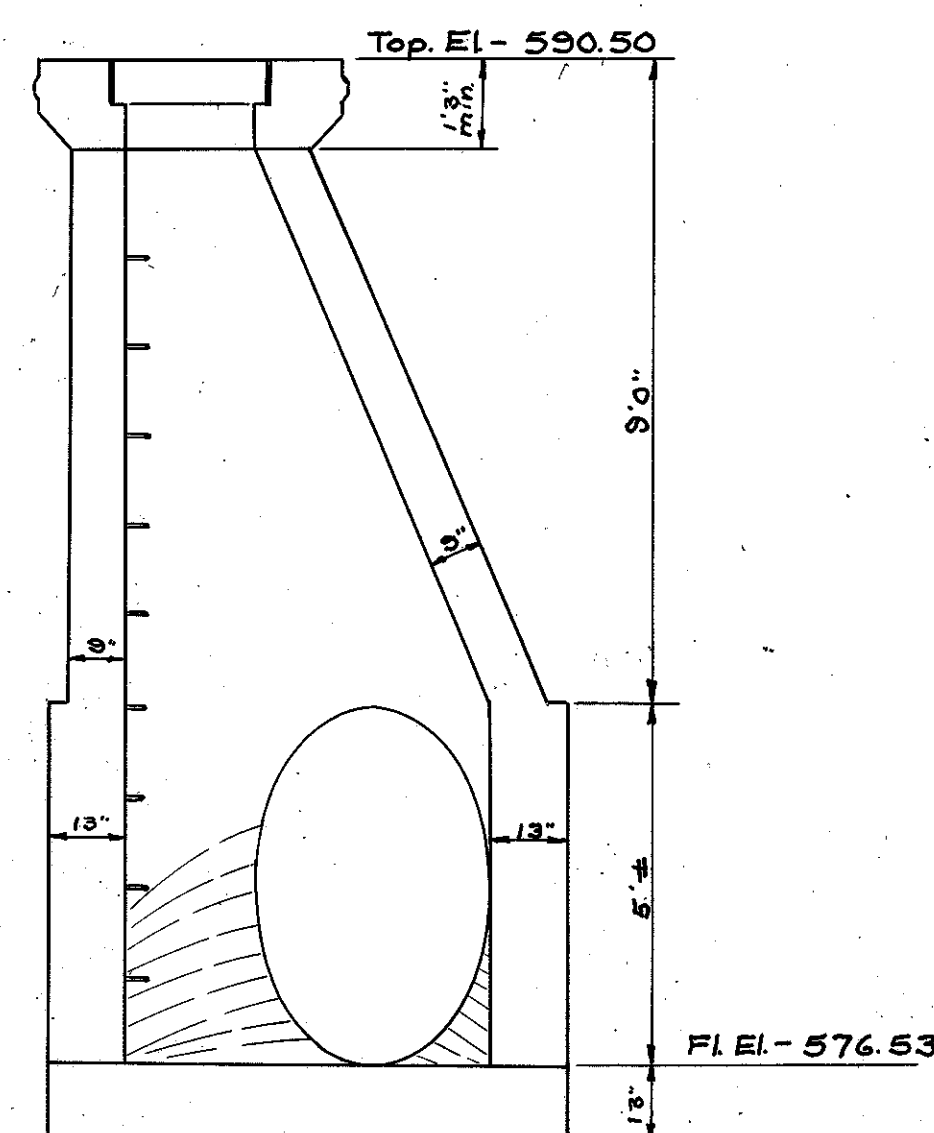
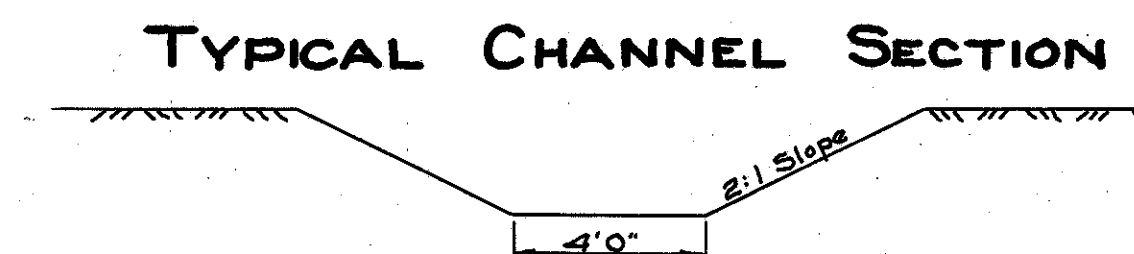
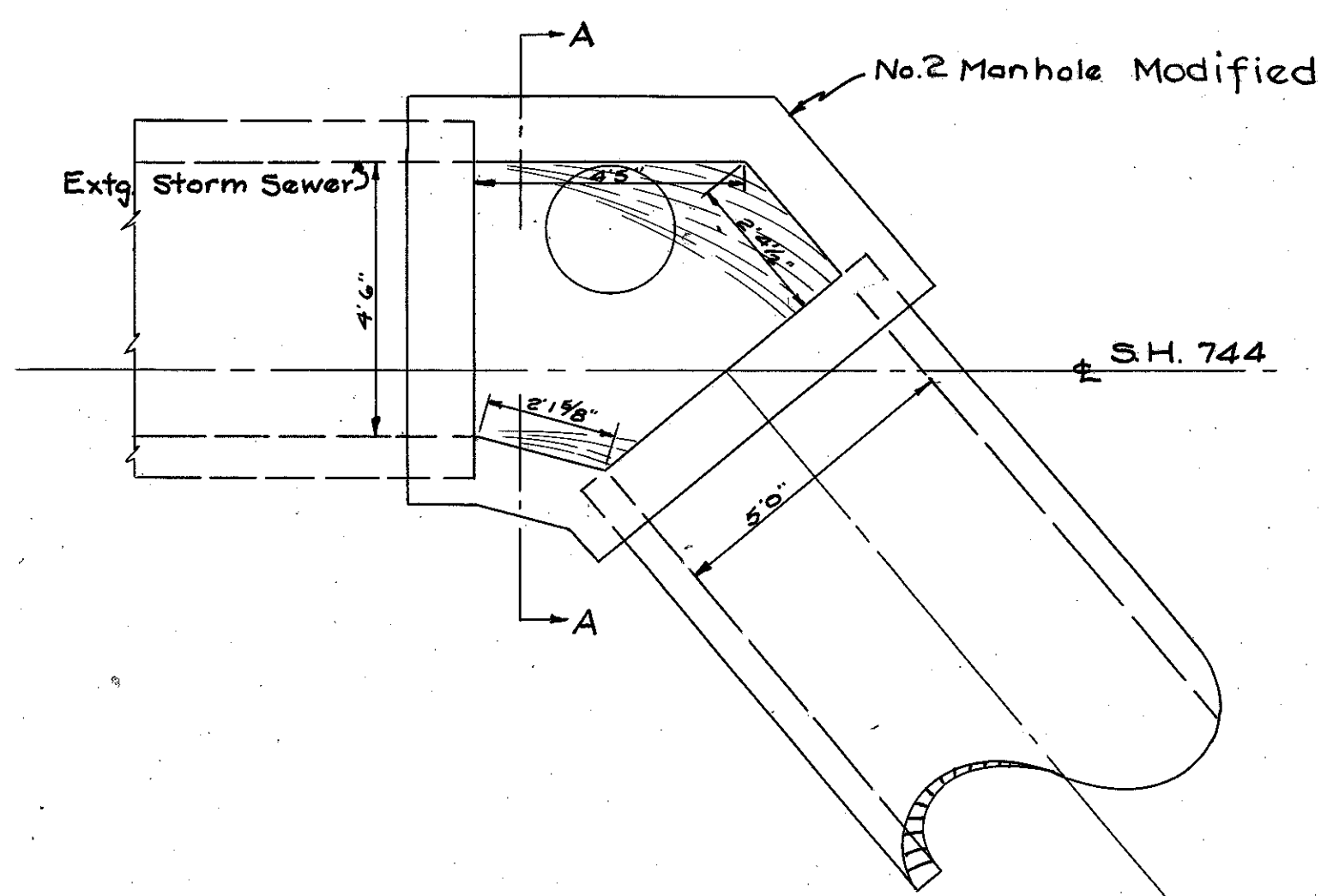
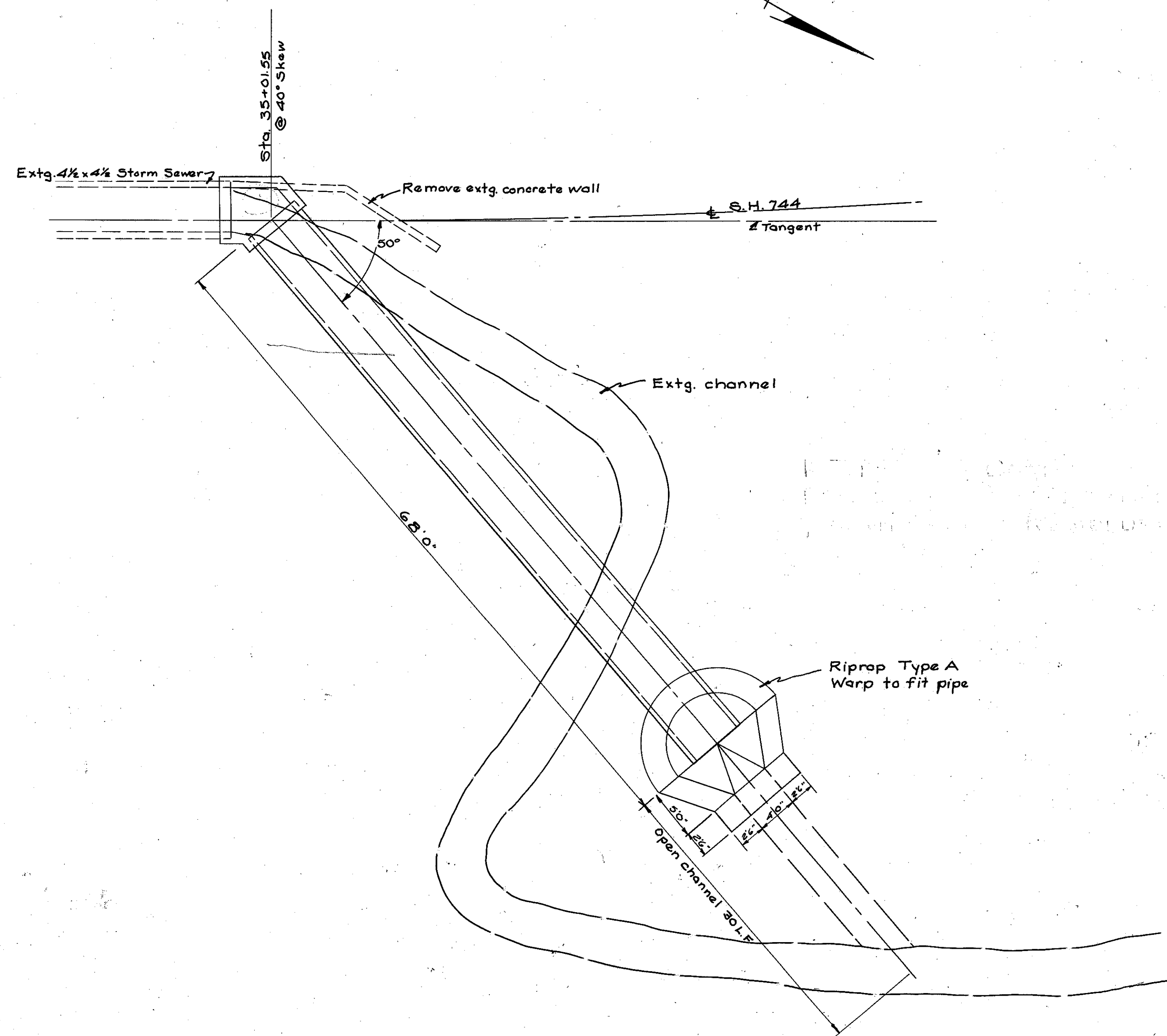


FED. RD. DIST. NO.	STATE	PROJECT	FISCAL YEAR
10	OHIO		1945

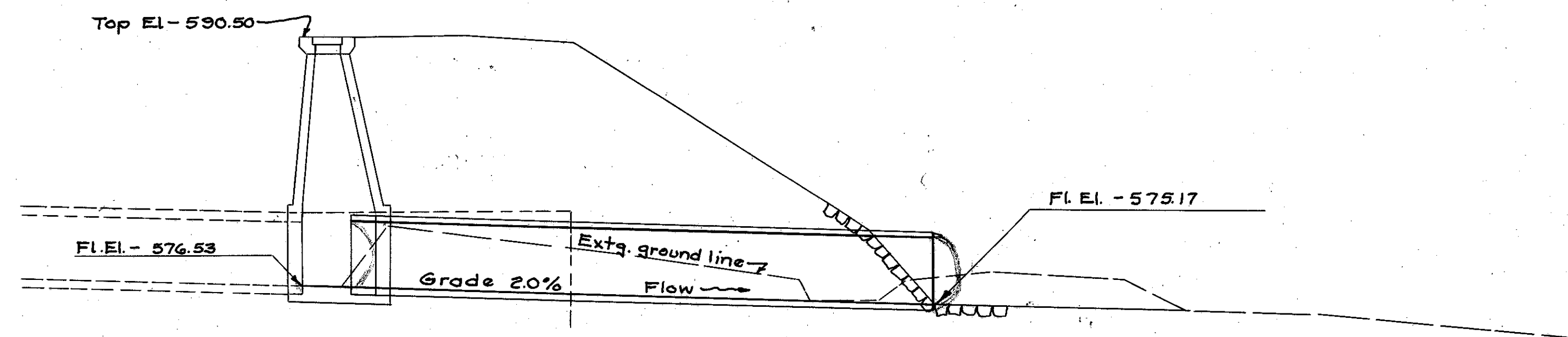
27.
28

LAKE COUNTY
S.H. 520 SEC. PAINESVILLE (PT)
S.H. 744 SEC. PAINESVILLE (PT)
& FAIRPORT (PT)



SECTION A-A
Scale 3/8" = 1'

Station	Channel Exc.	
	E.A.	C.Y.
0 + 98	0	6
574.85 0 + 80	18	12
577.1 0 + 68 End of Sewer	36	
Total	18	



DRAINAGE STRUCTURE C-3
STA. 35+01.55 CULVERT No. LA-535-
Scale 1/8" = 1'

CULVERT DATA
TYPE: Standard Pipe Culvert
SIZE: 60" by 68' @ 40° skew
STD DRWGS: S-27 PC-3 & I-B M.H. No. 2
WORK REQ'D: Remove extg. concrete wing wall. Build new No. 2 Manhole at end of extg. storm sewer. Build new 60" standard pipe culvert with riprap at rt. end. Excavate channel 30' Rt as shown.

ESTIMATED QUANTITIES

60" Standard Culvert Pipe	68 Lin. ft.
Structure Excavation	35 Cu. yds.
Channel Excavation	18 Cu. yds.
No. 2 Manhole (Modified)	1 Each
Riprap Type A 12" thick, grouted	17 Sq. yds.
Removal of portion of existing structure	5 Cu. yds.

Drawn by: MBR Traced by: MBR Checked by: