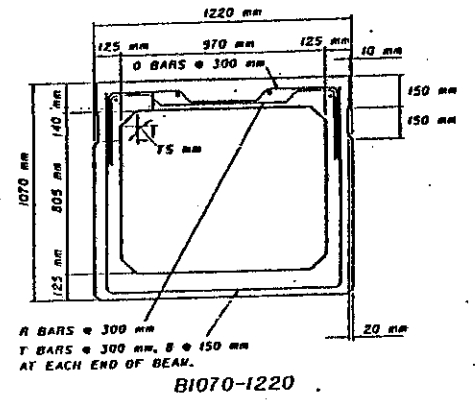
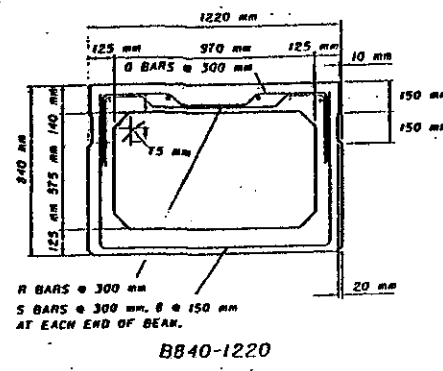
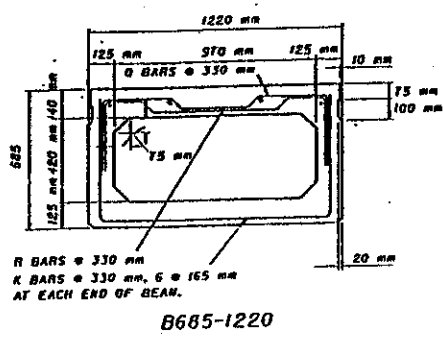
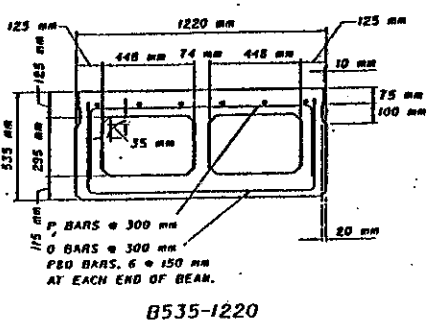
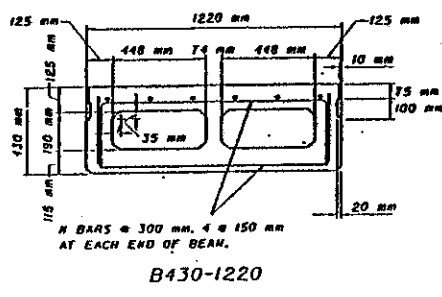
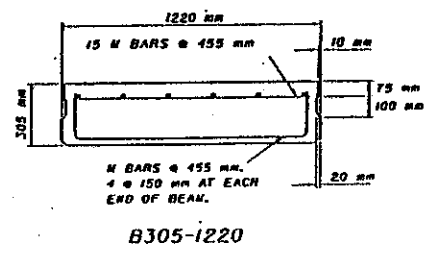
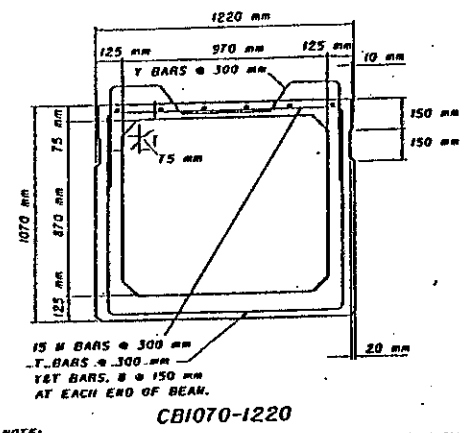
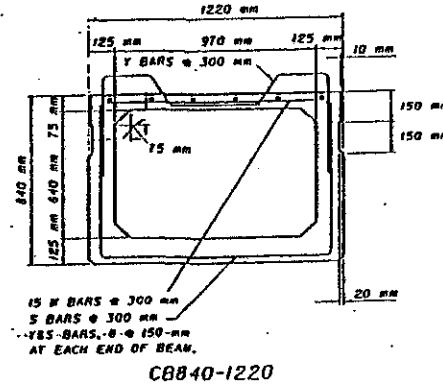
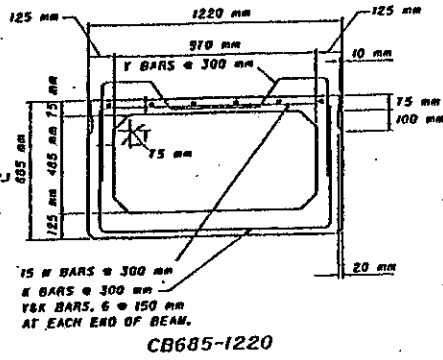
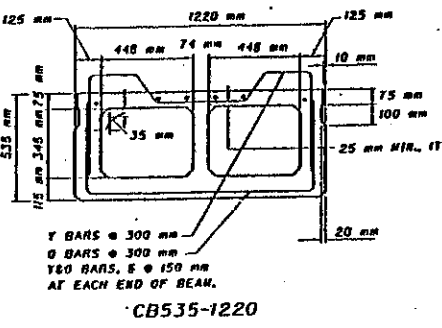
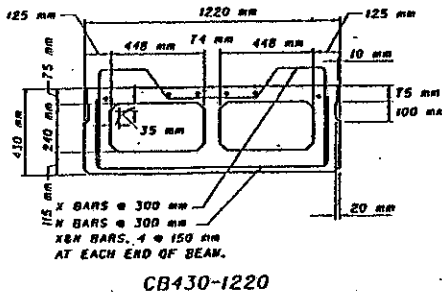
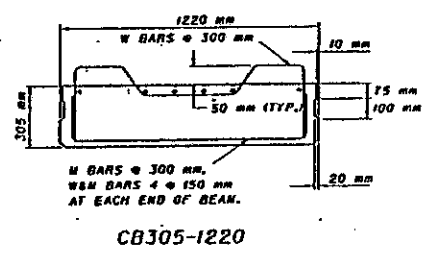


915 mm WIDE NON-COMPOSITE BEAMS



1220 mm WIDE NON-COMPOSITE BEAMS



1220 mm WIDE COMPOSITE BEAMS

DEPT REINFORCING BARS						BENDING DIAGRAMS	
MARK	TYPE	A	B	C	D	E	
A	1	785 mm	200 mm			205 mm	
B	2	785 mm	330 mm	250 mm	40 mm	205 mm	
C	2	785 mm	330 mm	100 mm	40 mm	505 mm	
D	1	785 mm	330 mm				
E	2	785 mm	430 mm	100 mm	40 mm	505 mm	
F	2	785 mm	430 mm	250 mm	40 mm	205 mm	
G	1	785 mm	430 mm				
H	1	785 mm	585 mm				
I	1	785 mm	735 mm				
J	1	785 mm	985 mm				
K	1	1090 mm	585 mm				
L	1	1090 mm	200 mm				
M	1	1090 mm	330 mm				
N	1	1090 mm	430 mm				
O	2	1090 mm	430 mm	330 mm	50 mm	330 mm	
P	2	1090 mm	430 mm	178 mm	50 mm	635 mm	
Q	1	1090 mm	735 mm				
R	1	1090 mm	985 mm				
S	2	1090 mm	295 mm	230 mm	100 mm	430 mm	
T	2	1090 mm	430 mm	230 mm	100 mm	430 mm	
U	2	1090 mm	530 mm	230 mm	100 mm	430 mm	
V	2	785 mm	300 mm	150 mm	100 mm	280 mm	
W	2	785 mm	430 mm	150 mm	100 mm	280 mm	
XX	2	785 mm	530 mm	150 mm	100 mm	280 mm	
YY	2	785 mm	530 mm	150 mm	100 mm	280 mm	

NOTE: ALL BARS ARE 15 #

NOTE: ALTERNATE TOP STIRRUPS TO LAP BOTTOM STIRRUPS AT EACH END OF BEAM WHERE TWO TYPES OF TOP STIRRUPS ARE PROVIDED.
 915 mm WIDE COMPOSITE BEAMS ARE SHOWN ON SHEET 4 OF 4.

MINIMUM TOP LONGITUDINAL REINFORCING STEEL
 915 mm WIDE NON-COMPOSITE & COMPOSITE BEAMS: 4-15 # BARS.
 1220 mm WIDE NON-COMPOSITE BEAMS: B305 THRU B535, 6-15 # BARS
 B685 THRU B1070, 4-15 # BARS

1220 mm WIDE COMPOSITE BEAMS: 6-15 # BARS
 SEE PROJECT PLANS FOR ANY ADDITIONAL LONGITUDINAL REINFORCING STEEL BARS REQUIRED.
 ALL REINFORCING STEEL ARE GRADE 400 BARS

FABRICATOR'S SHOP DRAWINGS SHALL SHOW COMPLETE DETAILS OF BEAM REINFORCING.

STATE OF OHIO
 DEPARTMENT OF TRANSPORTATION
 BUREAU OF BRIDGES AND STRUCTURAL DESIGN

STANDARD
**PRESTRESSED CONCRETE
 BOX BEAM BRIDGE
 DETAILS**

APPROVED: *Richard P. Engel*
 DATE: 12/19/94
 ENGINEER OF BRIDGES

PREPARED: MRG
 DRAWN: REF
 CHECKED: SEM
 REVIEWED: LNW

DRAWING NO. PS80-1-93W
 SHEET NO. 3
 OF 4 SHEETS