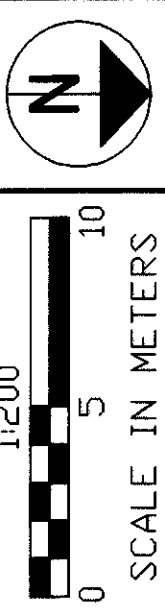
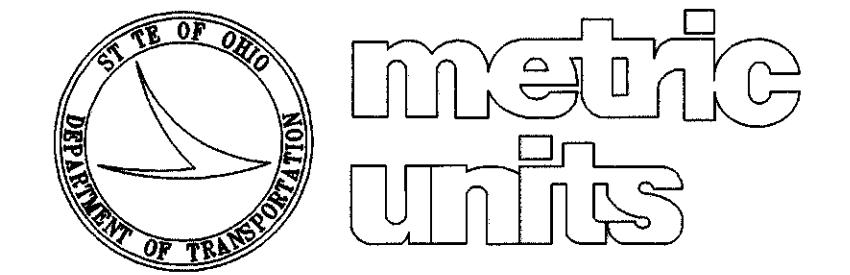


CENTERLINE MONUMENTS TO BE SET AFTER CONSTRUCTION

STATION	LOCATION	MONUMENT ASSEMBLY, AS PER PLAN
STA. 8+014.148	☐	1
STA. 8+140.000	☐	1
TOTAL		2

# LAK-528-8.095 (5.03)

LAKE COUNTY, OHIO  
VILLAGE OF MADISON  
TOWNSHIP 11 N, RANGE 6 W  
HARVEY'S LOT NO.'S 18, 71 & 72

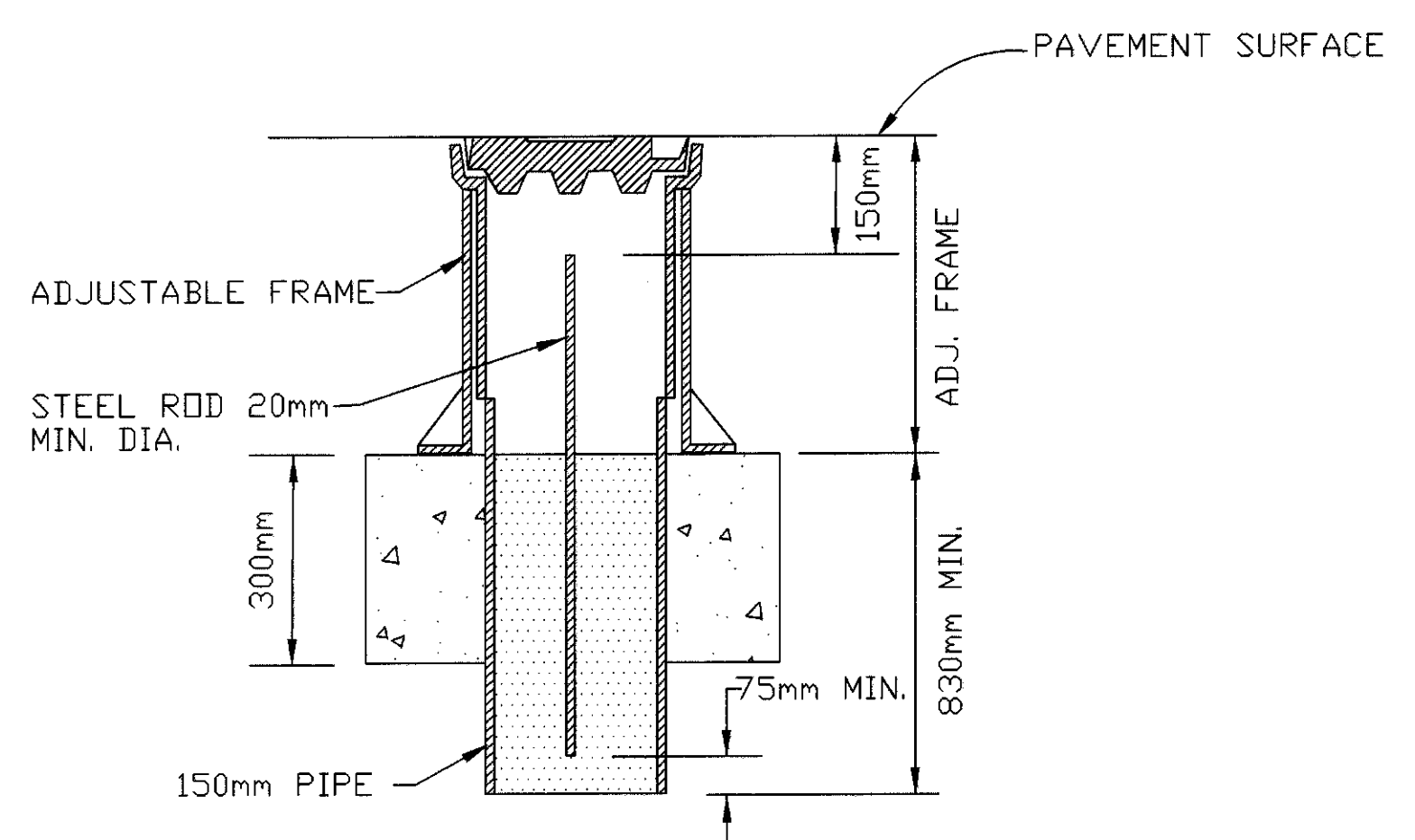
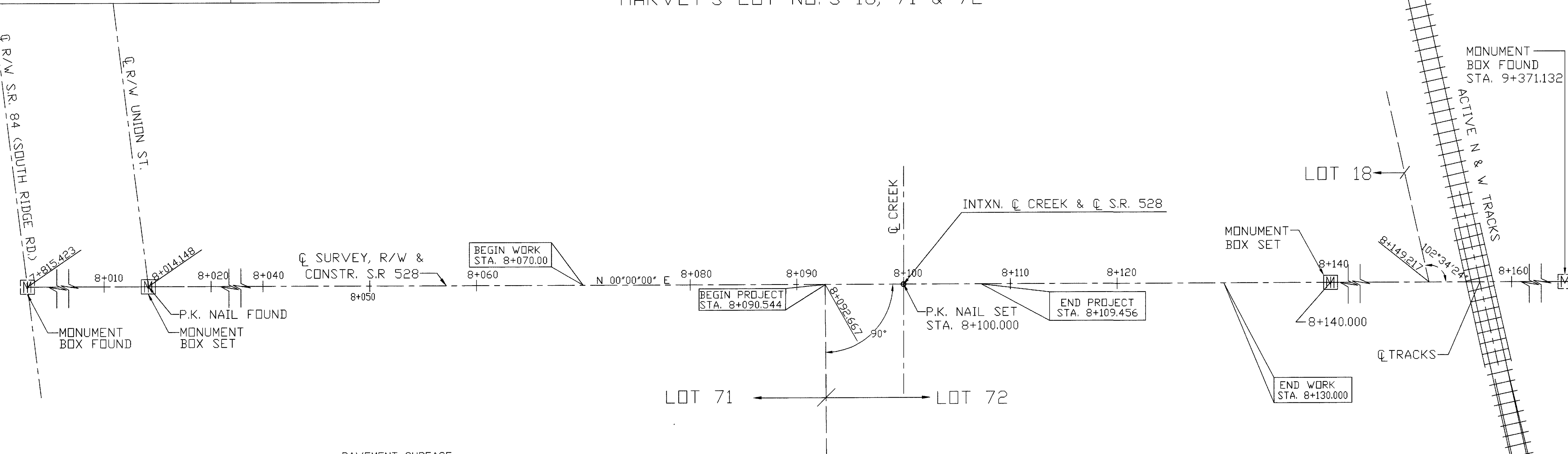


PID NO. 12833

CENTERLINE SURVEY PLAT

LAK-528-8.095 (5.03)

1 / 4  
30 / 33



ADJUSTABLE CENTERLINE MONUMENT DETAILS

DETAIL OF MONUMENT ASSEMBLY, AS PER PLAN

THE PROPOSED RIGHT OF WAY SHALL BE REFERENCED FROM THE CENTERLINE OF SURVEY.

THE PLACING OF THE MONUMENTS SHALL BE UNDER THE DIRECTION OF A REGISTERED LAND SURVEYOR AND ARE TO BE SET AS SHOWN BY THE HIGHWAY CONTRACTOR AT THE TIME OF CONSTRUCTION. ANY ALTERATIONS, WITH PRIOR APPROVAL OF THE OHIO DEPARTMENT OF TRANSPORTATION, SHALL BE NOTED AND ODOT SHALL BE NOTIFIED OF THE NEW LOCATIONS.

- MONUMENT LEGEND**
- EXISTING IRON PIN FOUND
  - 19mm (3/4") IRON PIN SET WITH I.D. CAP
  - ☐ PROPOSED CENTERLINE MONUMENT
  - ☐ EXISTING CENTERLINE MONUMENT
  - P.K. NAIL FOUND
  - P.K. NAIL SET

NOTE: IN THE EVENT OF A DISCREPANCY BETWEEN A METRIC VALUE AND (ENGLISH) EQUIVALENT, THE METRIC VALUE TAKES PRECEDENCE.

NOTE: THE CENTERLINE OF RIGHT-OF-WAY ALIGNMENT WAS DETERMINED FROM EXISTING PROPERTY SURVEY MONUMENTATION FOUND ON STATE ROUTE 528.

**BASIS FOR BEARINGS**

ALL BEARINGS SHOWN ARE FOR PROJECT USE ONLY. THE BEARING OF N 00°00'00" E FOR THE CENTERLINE IS TAKEN FROM EXISTING RECORDS AND DEEDS.

RECEIVED \_\_\_\_\_, 19 \_\_\_\_  
RECORDED \_\_\_\_\_, 19 \_\_\_\_  
BOOK \_\_\_\_\_ PAGE \_\_\_\_  
\_\_\_\_\_  
COUNTY RECORDER

I HEREBY CERTIFY THAT THIS PLAT IS A TRUE DELINEATION OF A SURVEY MADE FOR THE OHIO DEPARTMENT OF TRANSPORTATION IN 1996 BY CENTRAL ENGINEERING INC.

BY Donald J. Jewel SURVEYOR No. 5880  
DONALD J. JEWEL  
DATE Dec 30 1996

528CL