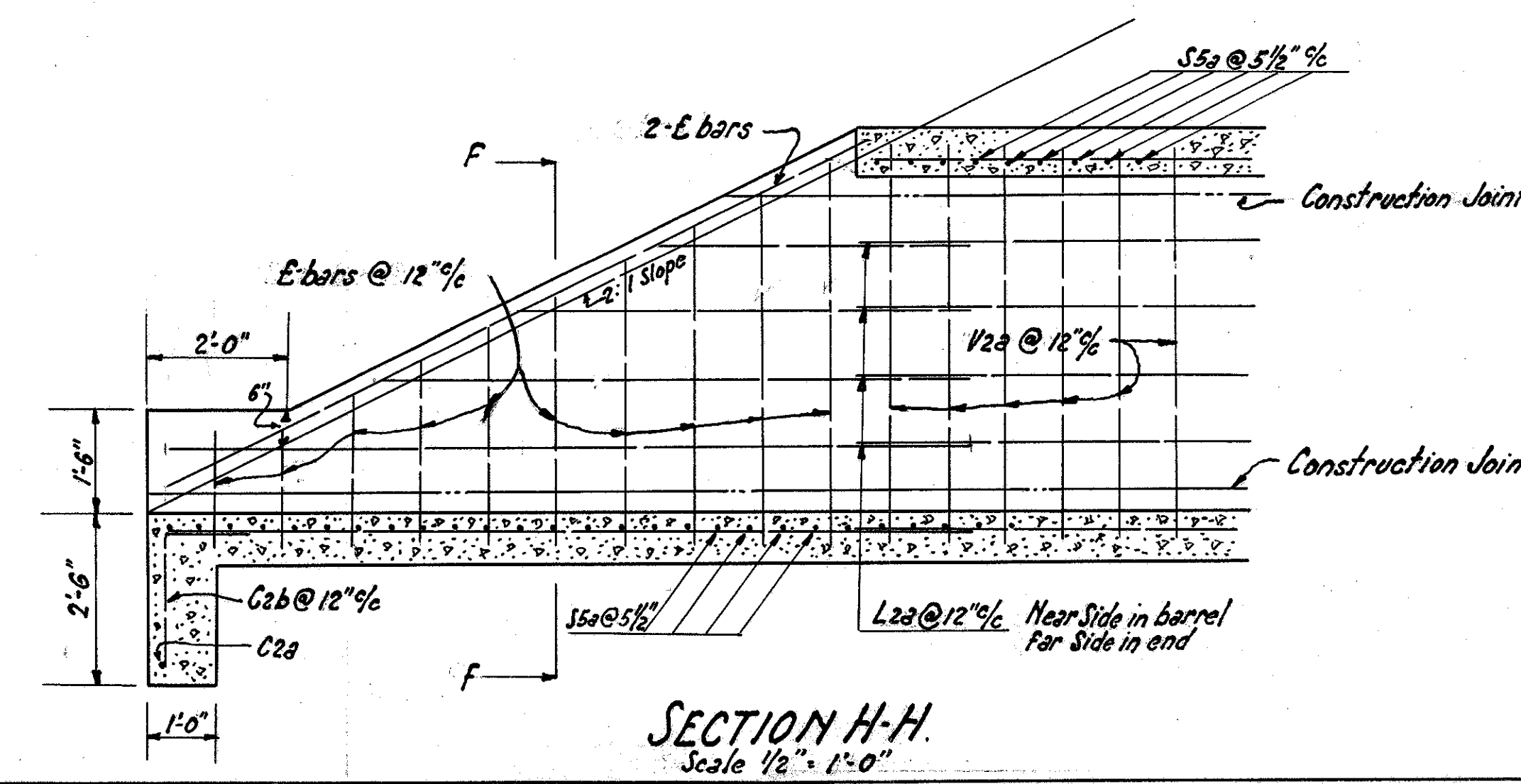
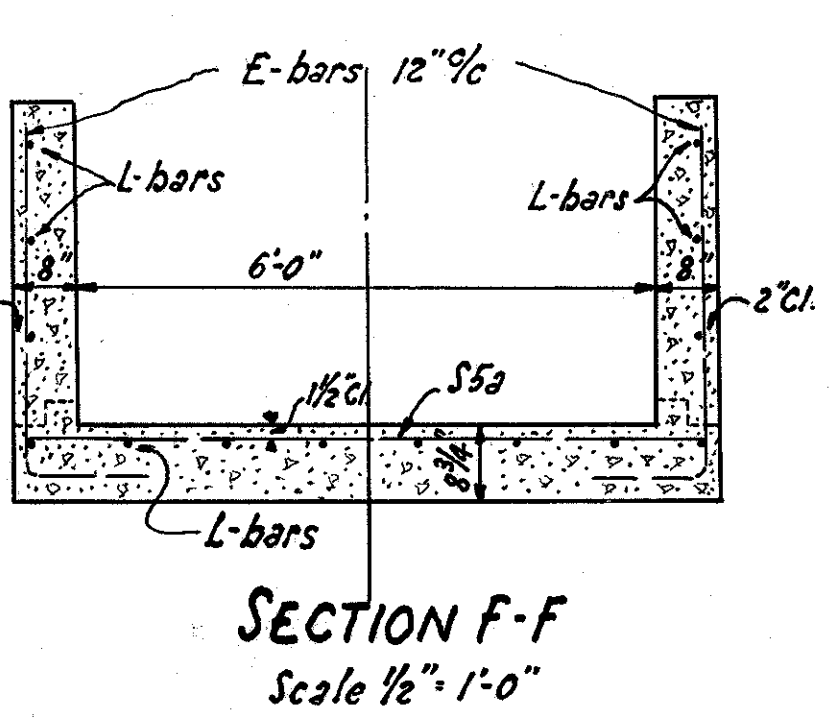
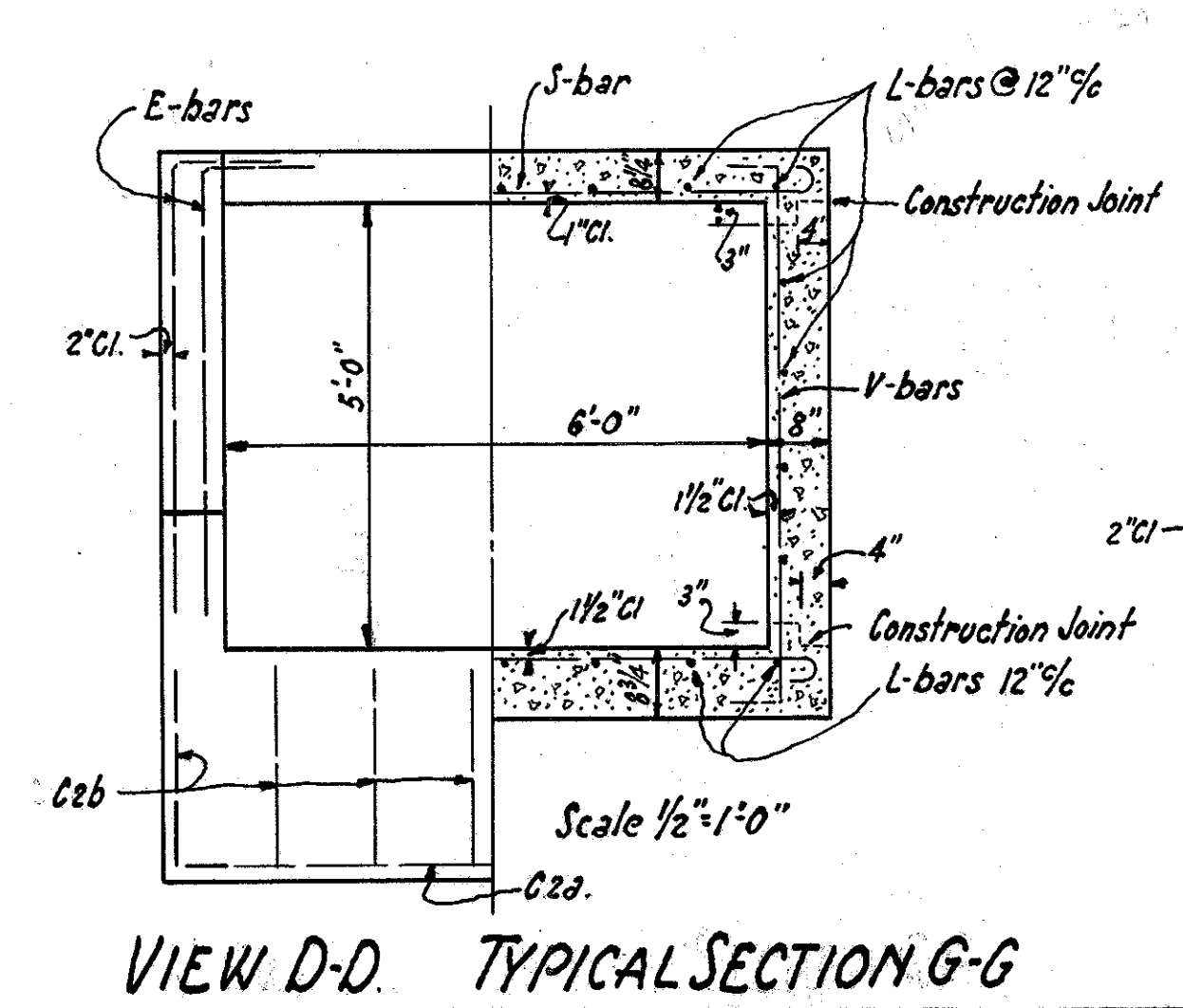
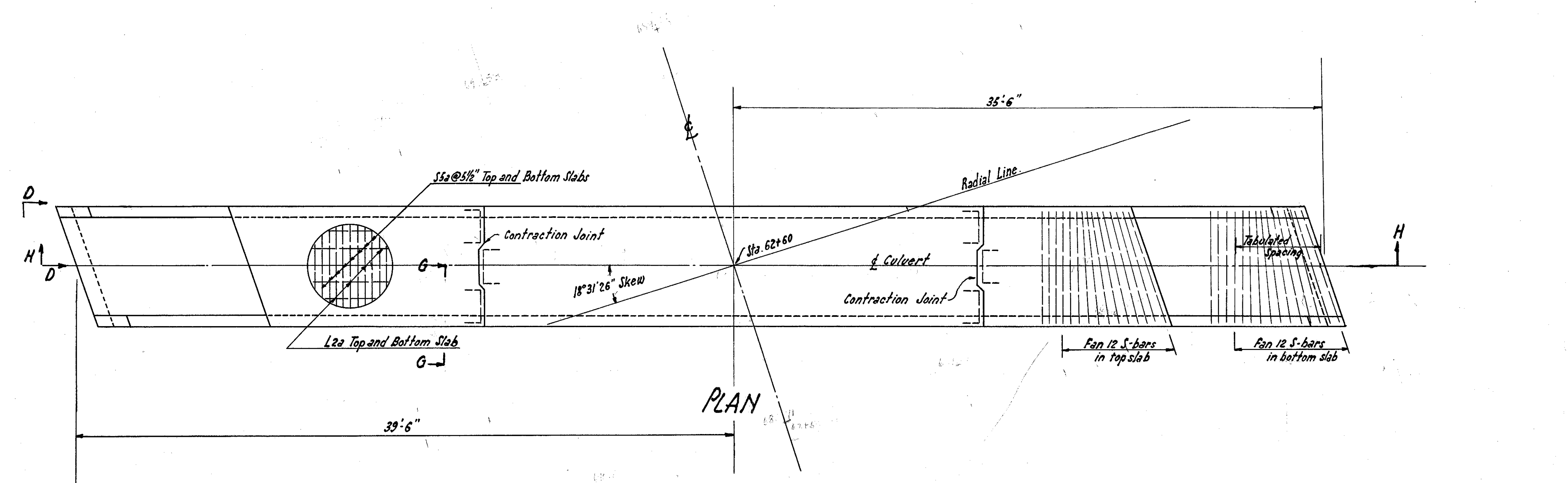
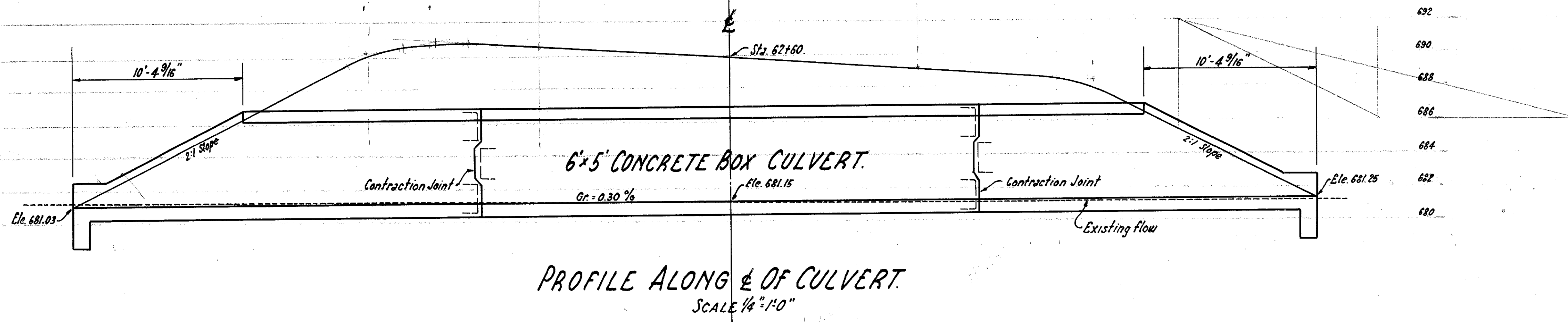
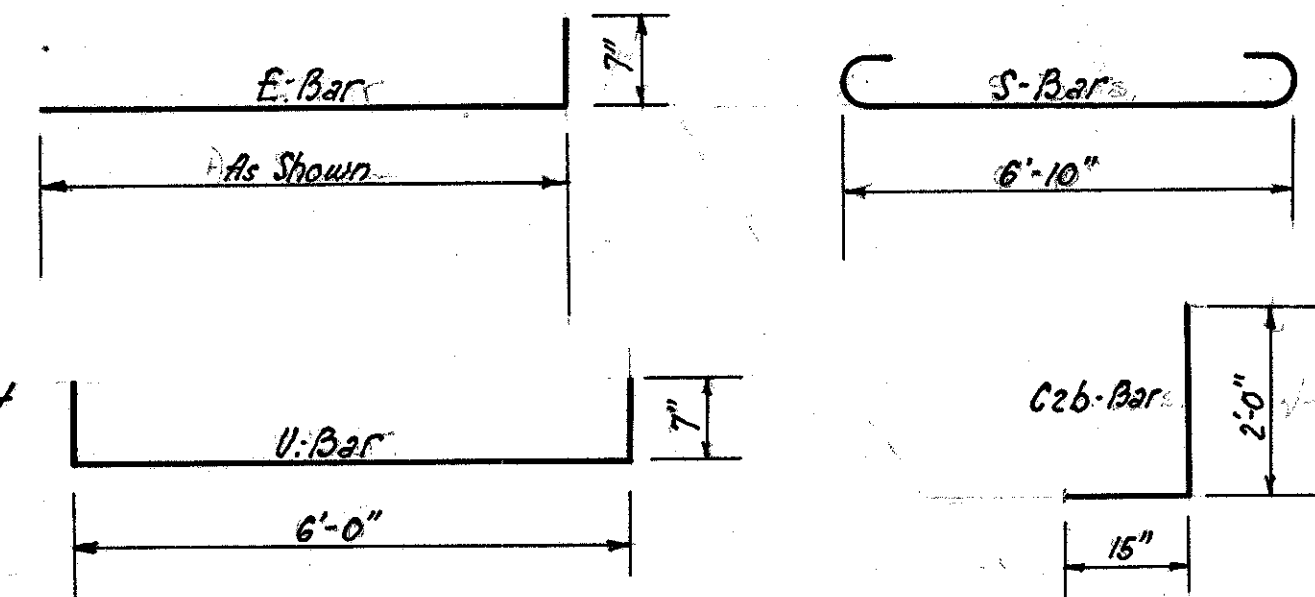


LAKE COUNTY  
LAK 5.28-5.79



REINFORCING STEEL						
Mark	Size	No	Length	Total	Weight	Shape
S-Bar	3/4"	281	8'-2"	2292.96'	3,444.026	Bend
L-Bar	1/2"	7	53'-9"	376.25	251.335	Straight
"	1/2"	15	34'-3"	813.75	543.585	"
"	1/2"	18	11'-9"	211.50	141.282	"
"	1/2"	4	8'-9"	35.00	23.38	"
"	1/2"	4	6'-9"	27.00	18.036	"
L-Bar	1/2"	4	4'-9"	19.00	12.692	Straight
E-Bar	1/2"	4	6'-4"	25.32	16.914	Bend
"	1/2"	4	5'-10"	23.32	15.578	"
"	1/2"	4	5'-4"	21.32	14.242	"
"	1/2"	4	4'-10"	19.32	12.906	"
"	1/2"	4	4'-4"	17.32	11.569	"
"	1/2"	4	3'-10"	15.32	10.234	"
"	1/2"	4	3'-4"	13.32	8.898	"
"	1/2"	4	2'-10"	11.32	7.562	"
"	1/2"	8	2'-4"	18.64	12.452	"
E-Bar	1/2"	8	11'-6"	92.00	61.456	Bend
V-Bar	1/2"	108	8'-6"	1026.00	685.368	Bend
Cb-Bar	1/2"	14	3'-3"	45.50	30.394	Bend
Ca-Bar	1/2"	2	7'-2"	14.34	9.578	Straight
Ka-Bar	1/2"	24	4'-0"	96.00	64.128	Bend
Kb-Bar	1/2"	24	3'-9"	90.00	60.120	Bend
Total					5,455.735 Pounds	
					Use 5,456 Pounds	

Reinforcing Steel 5,456 Pounds.  
Class "C" Concrete 42.61 Cu.Yds  
Excavation for Structures 20 Cu.Yds.



State of Ohio  
Department of Highways

**CULVERT DETAILS.**  
6'x5' CONCRETE BOX CULVERT.  
STATION 62+60 LAK 528-5.79  
STD. BOX CULVERT DRAWING S.B.C-45

Designed	Drawn	Traced	Checked	Reviewed	Date	Revised