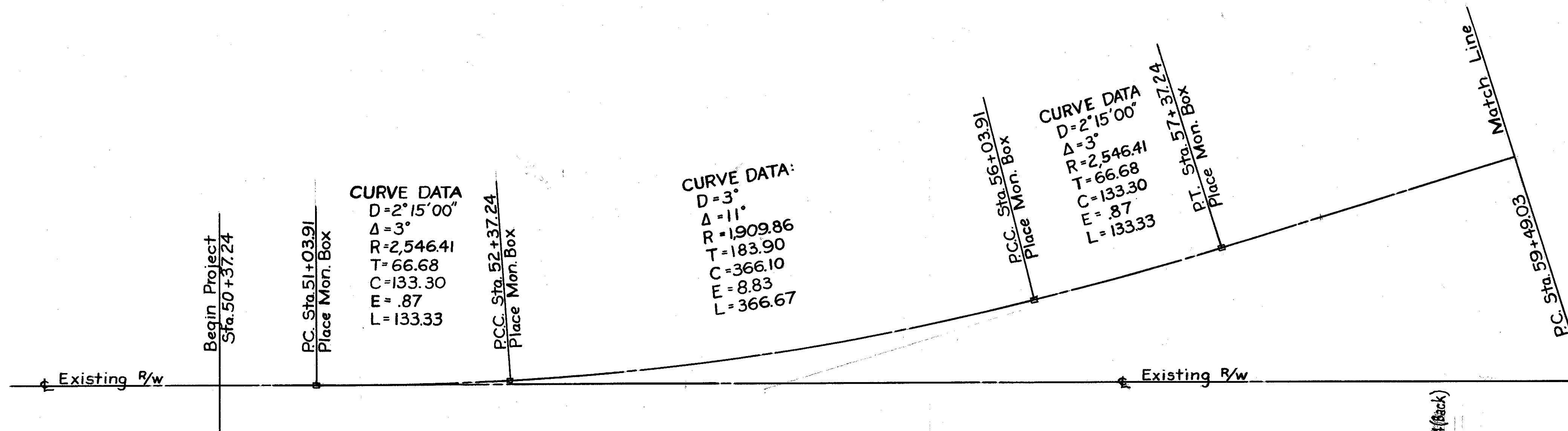


MONUMENT BOX LOCATIONS ON SUBSTITUTE CENTERLINE

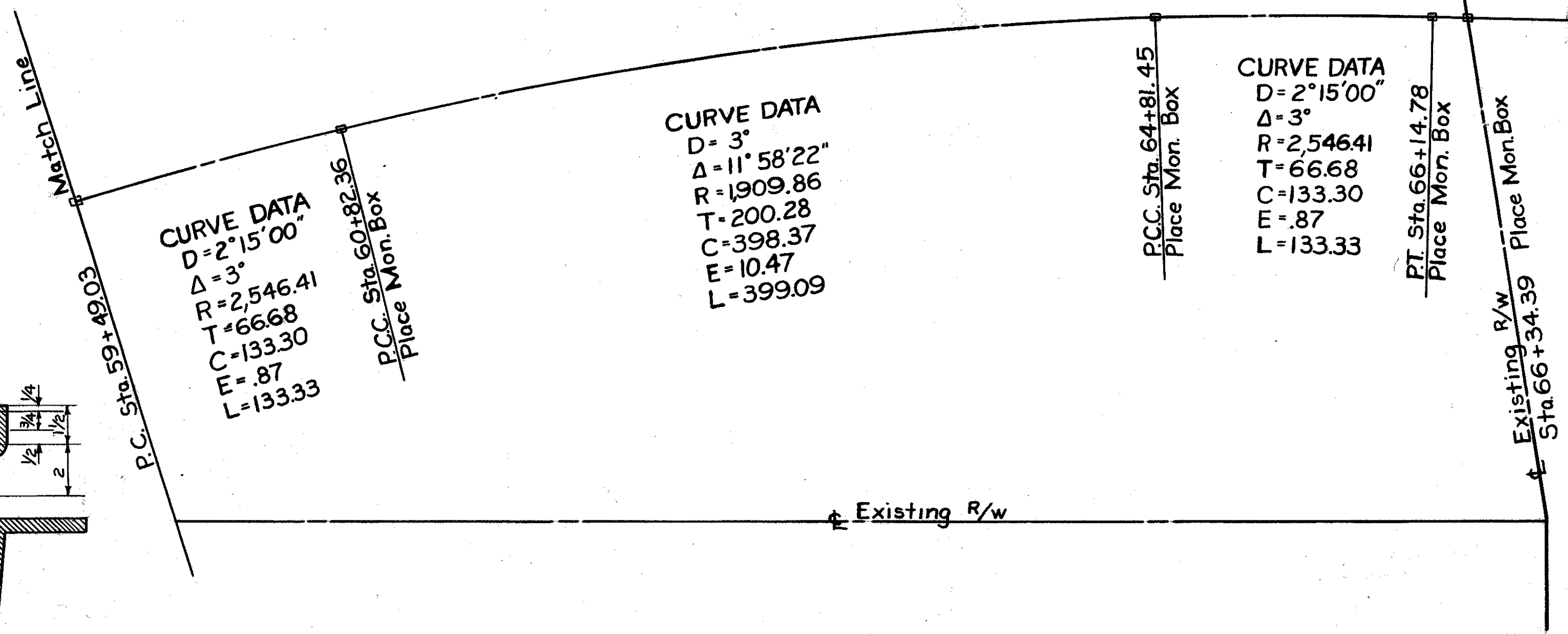
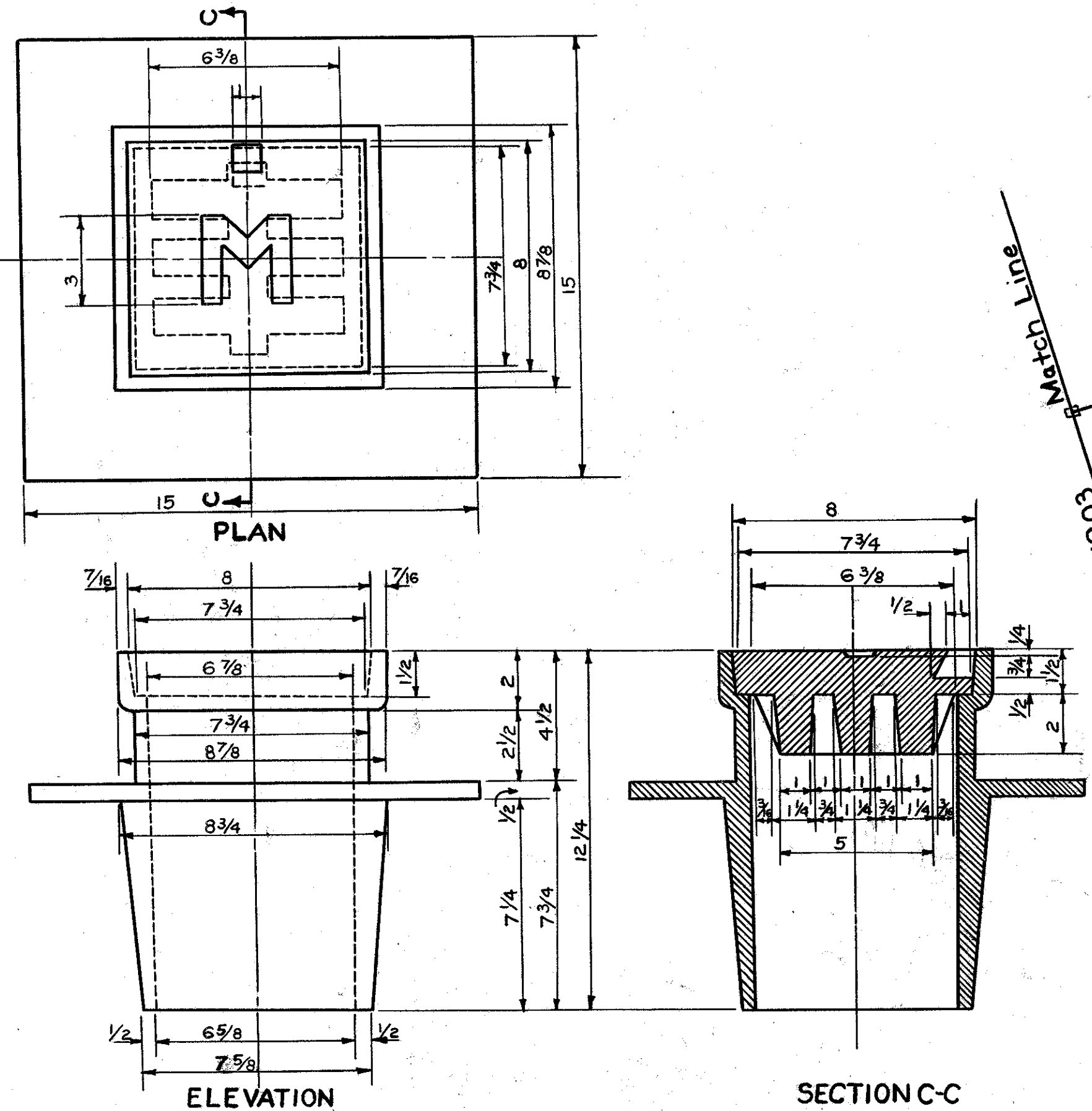
FED. RD. DIVISION	STATE	FEDERAL AID PROJECT	TYPE FUNDS
2	OHIO	S-34 (2)	POST WAR

7
17

LAKE COUNTY
LAK. 528 -579



MONUMENT BOX IN PAVED AREAS



NOTE:
Place Monuments on Substitute & as Shown. This & to be used for Right of Way purposes only.

MONUMENT BOXES	
Station	Monument Boxes Item I-8 Each
Sta. 51+03.91	1
Sta. 52+37.24	1
Sta. 56+03.91	1
Sta. 57+37.24	1
Sta. 60+82.36	1
Sta. 64+81.45	1
Sta. 66+14.78	1
Sta. 66+34.39	1
Sta. 59+49.03	1
Total	9