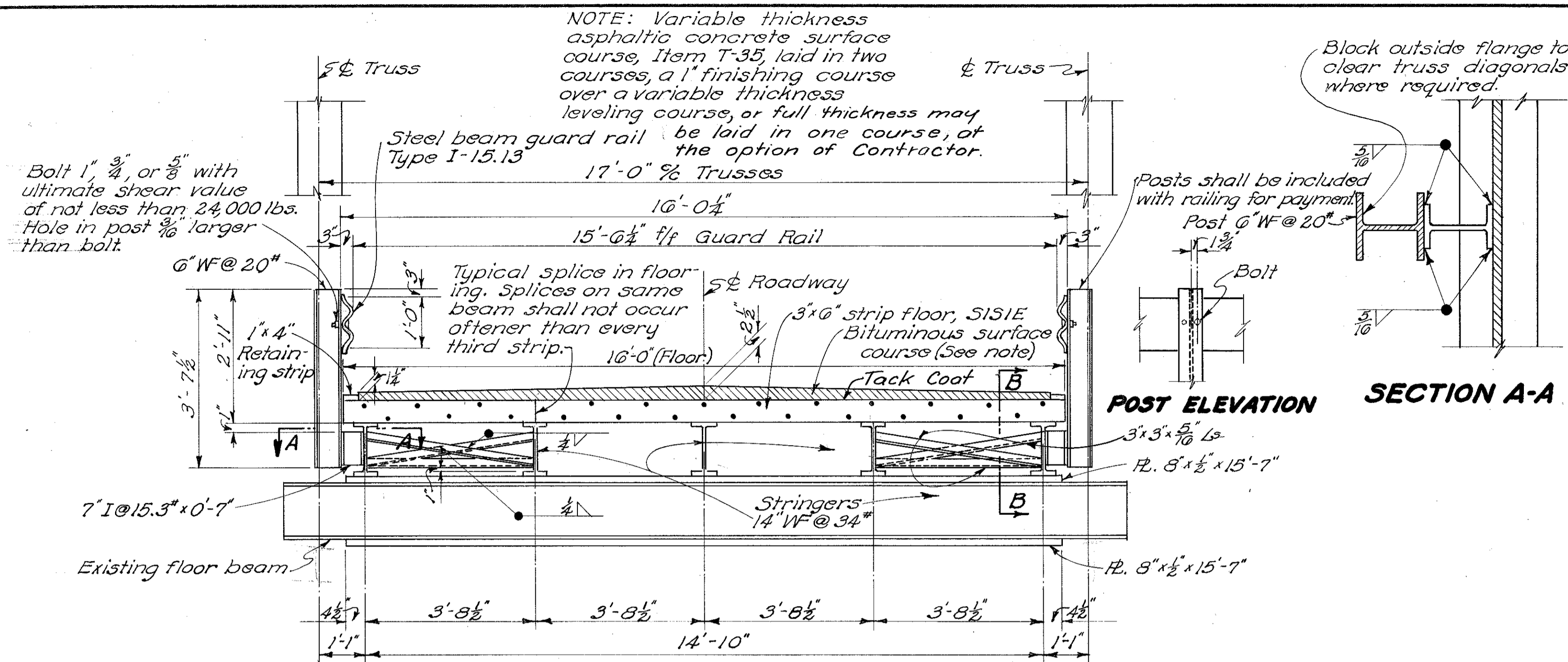


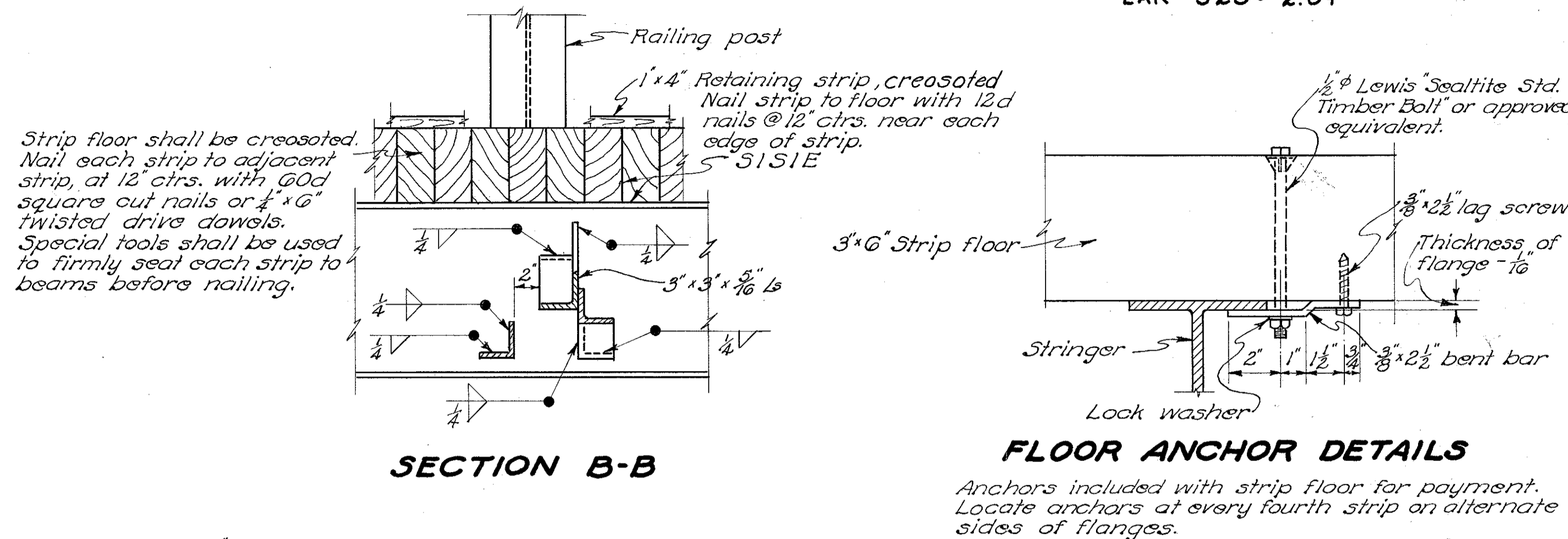
FED. RD. DIVISION	STATE	PROJECT	TYPE FUNDS
2	OHIO	HIF	1950

5  
5

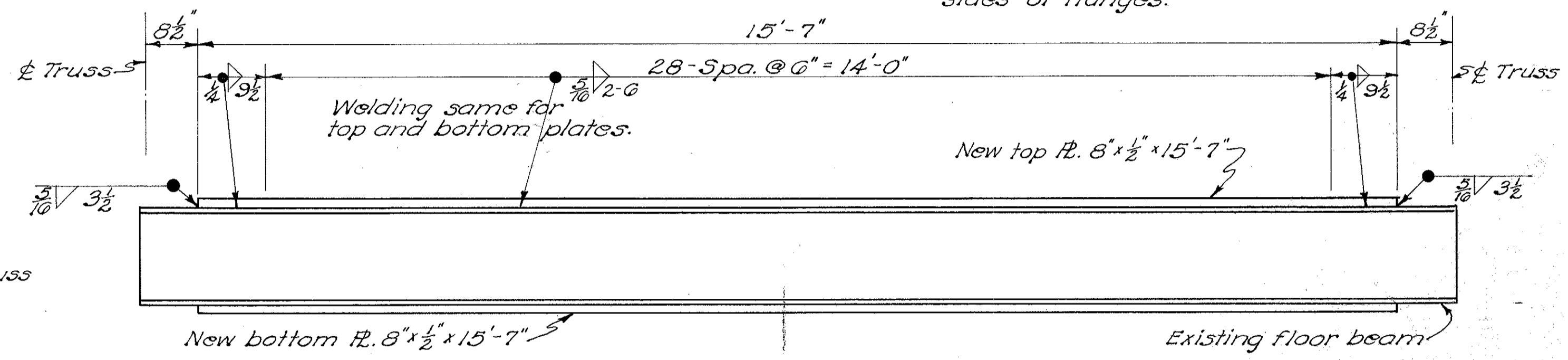
LAKE COUNTY  
LAK-528-2.09



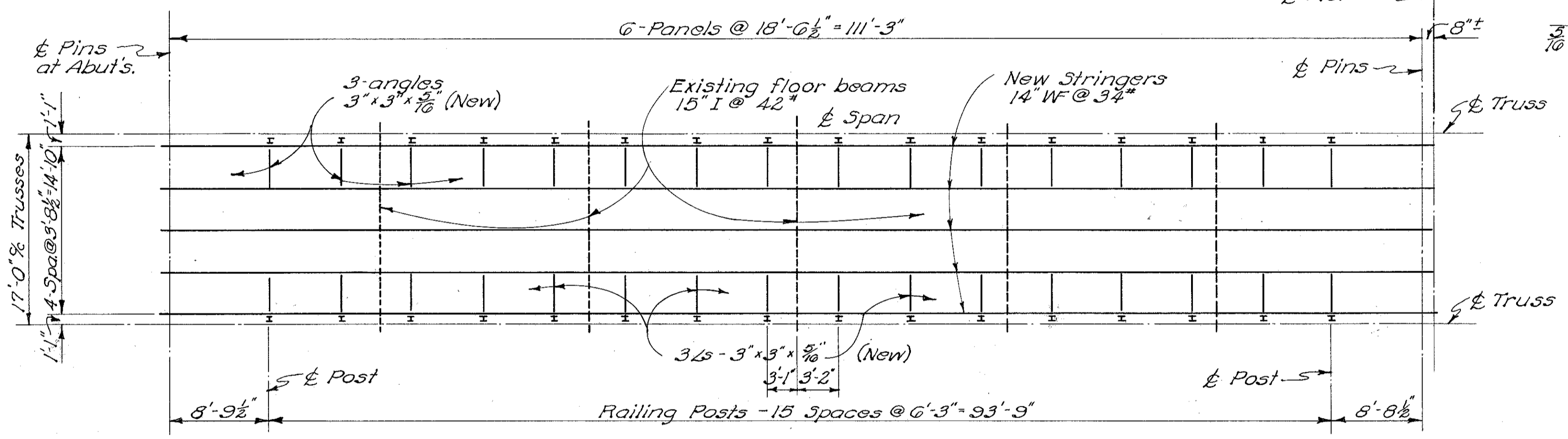
**TRANSVERSE SECTION**



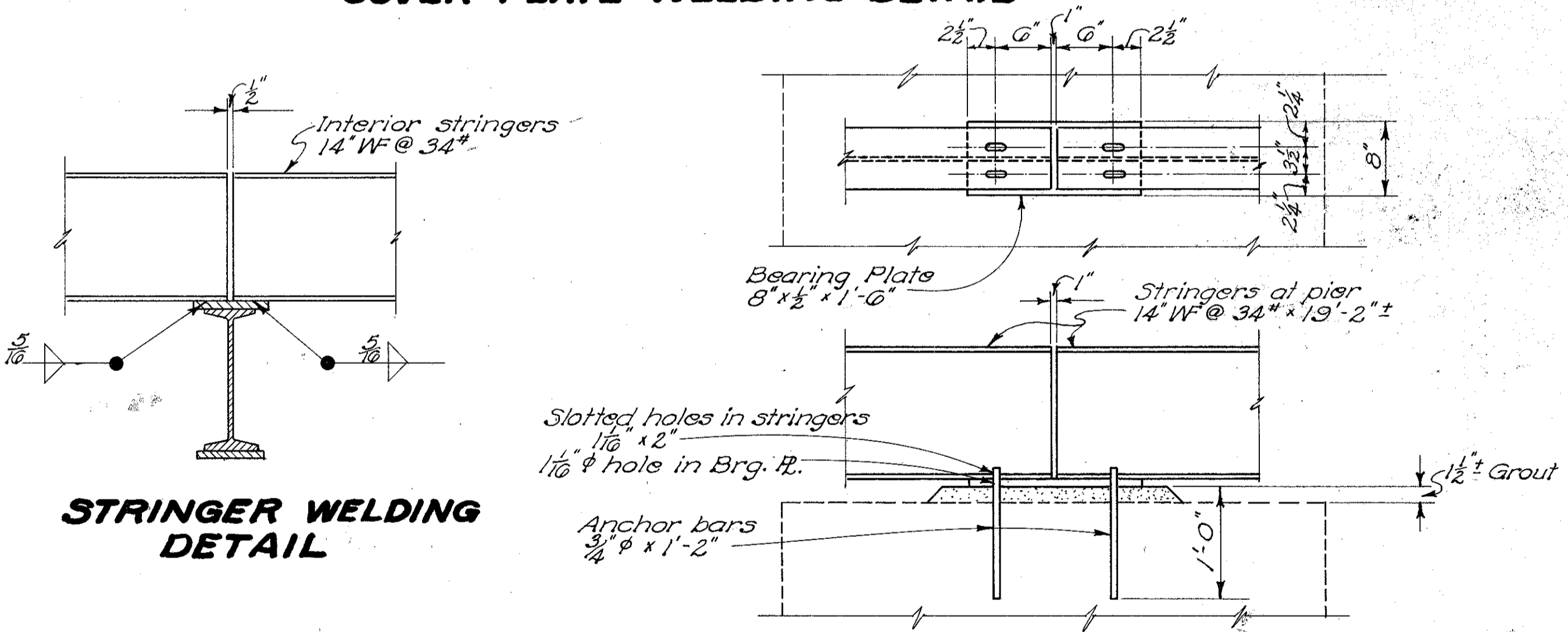
**FLOOR ANCHOR DETAILS**



**COVER PLATE WELDING DETAIL**

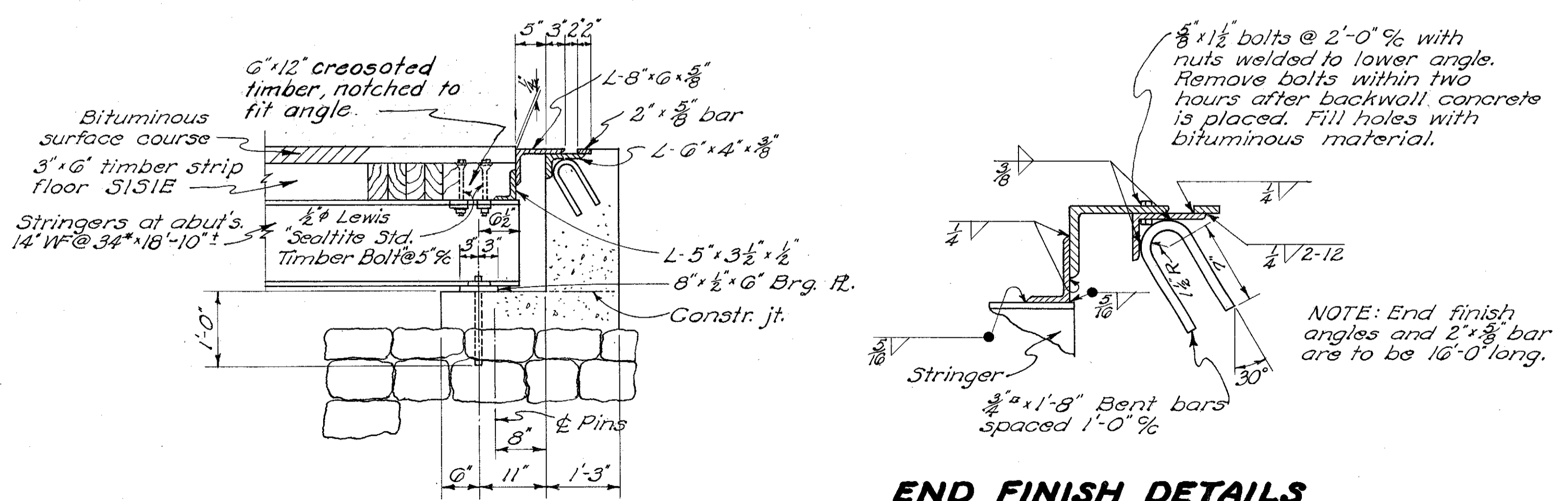


**STRUCTURAL PLAN**

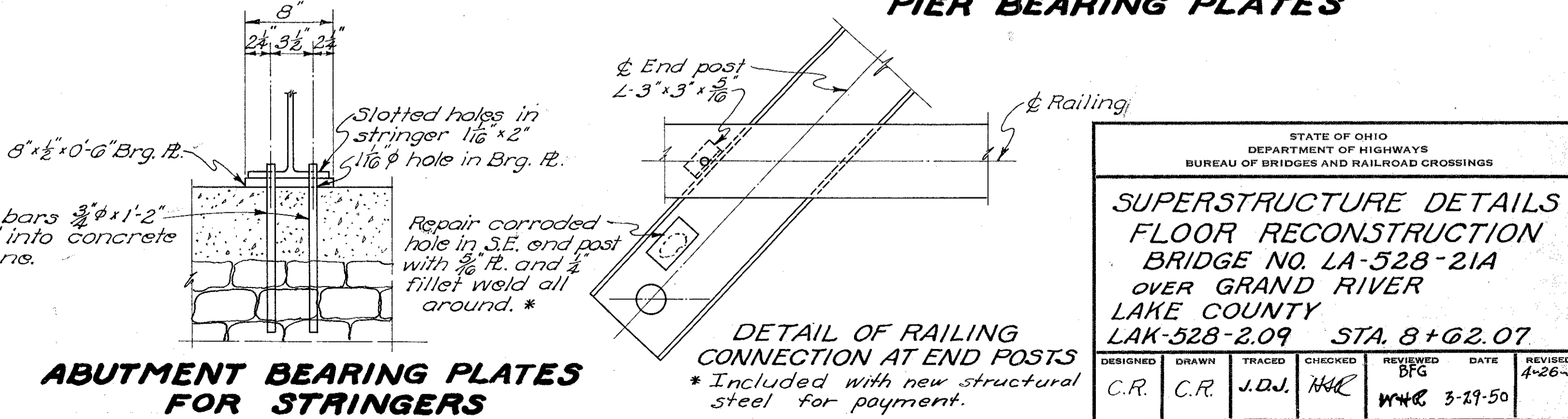


**STRINGER WELDING DETAIL**

**PIER BEARING PLATES**



**END FINISH DETAILS**



**ABUTMENT BEARING PLATES FOR STRINGERS**

**DETAIL OF RAILING CONNECTION AT END POSTS**

NOTE: Any welding designated on the plans as field welding may be done in the shop at the option of the Contractor.

STATE OF OHIO DEPARTMENT OF HIGHWAYS BUREAU OF BRIDGES AND RAILROAD CROSSINGS						
<b>SUPERSTRUCTURE DETAILS</b>						
<b>FLOOR RECONSTRUCTION</b>						
<b>BRIDGE NO. LA-528-21A</b>						
<b>OVER GRAND RIVER</b>						
<b>LAKE COUNTY</b>						
<b>LAK-528-2.09 STA. 8+62.07</b>						
DESIGNED	DRAWN	TRACED	CHECKED	REVIEWED	DATE	REVISED
C.R.	C.R.	J.D.J.	HAR	BFG	3-29-50	4-26-50