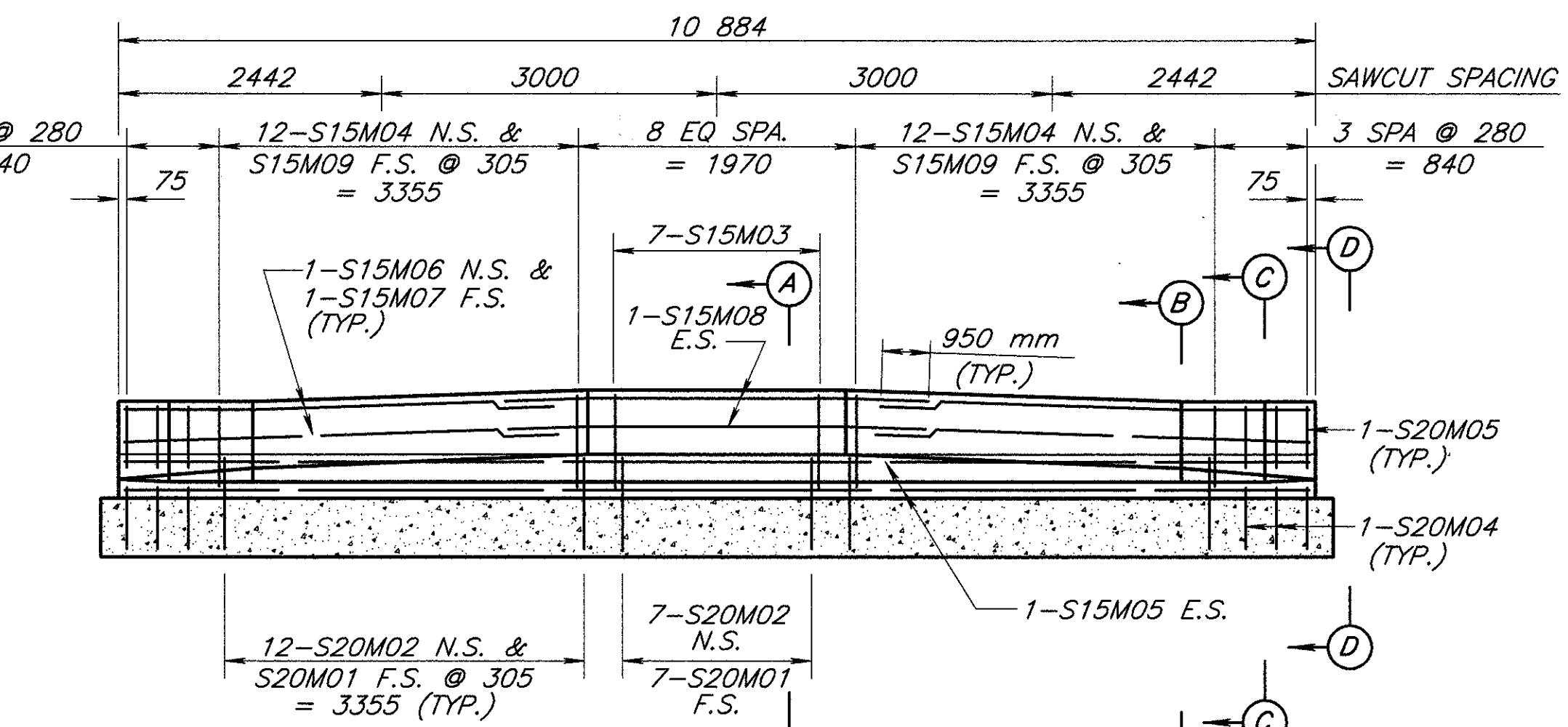
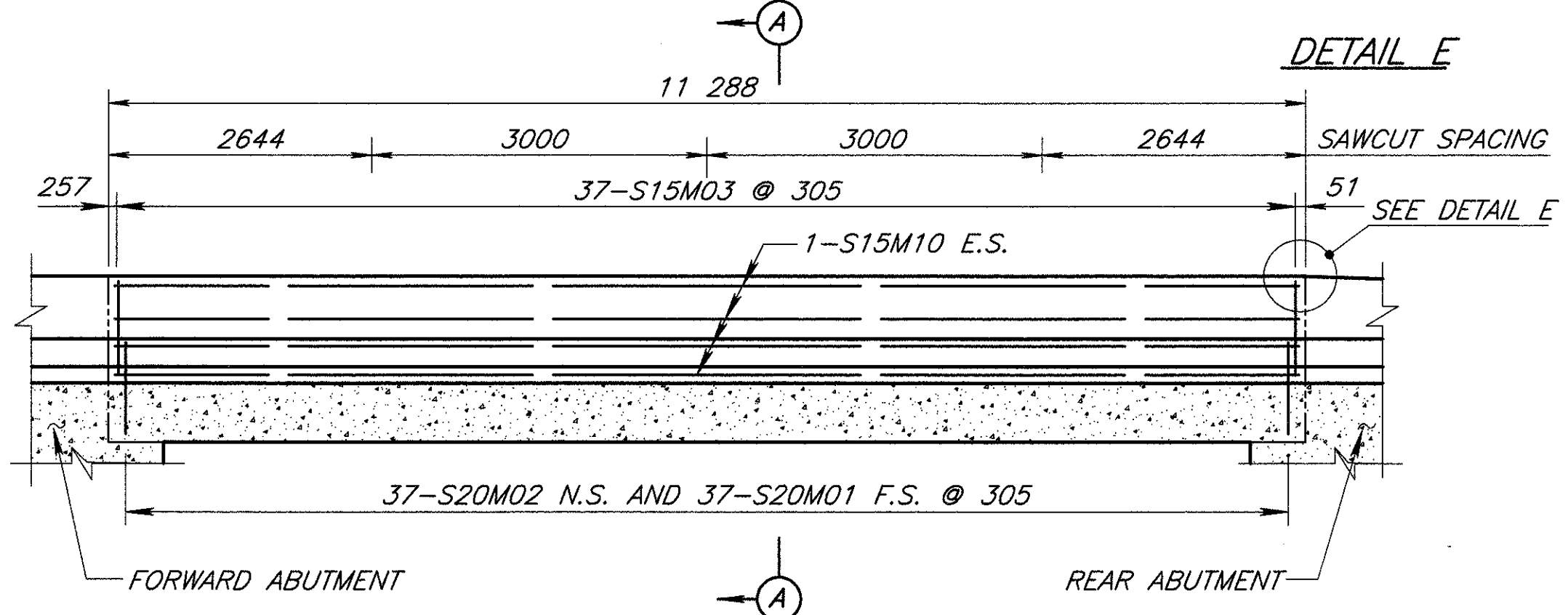


SLAB PLAN

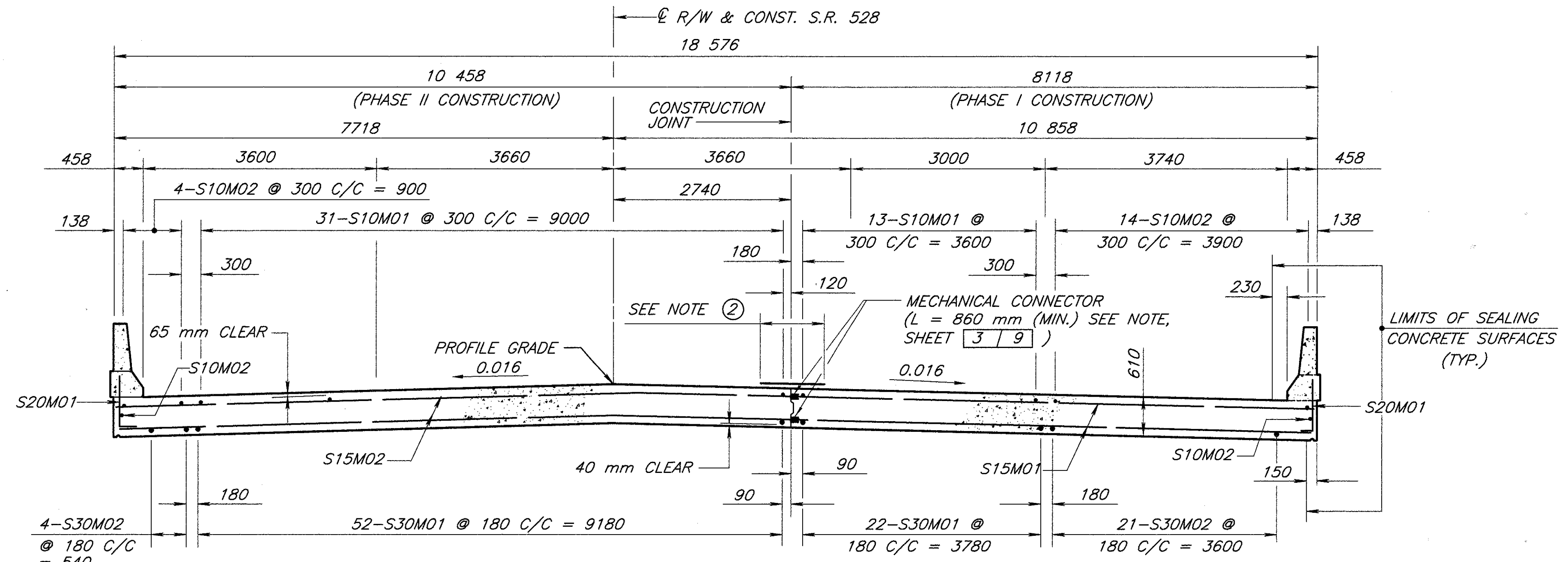
SCREED ELEVATIONS			
OFFSET	REAR ABUTMENT	MID-SPAN	FORWARD ABUTMENT
7260 LEFT	204.068	204.096	204.062
℄ S.R. 528	204.183	204.221	204.177
10 400 RIGHT	204.015	204.043	204.008



LEFT PARAPET ELEVATION  
(LOOKING WEST)  
(GUARDRAIL NOT SHOWN)

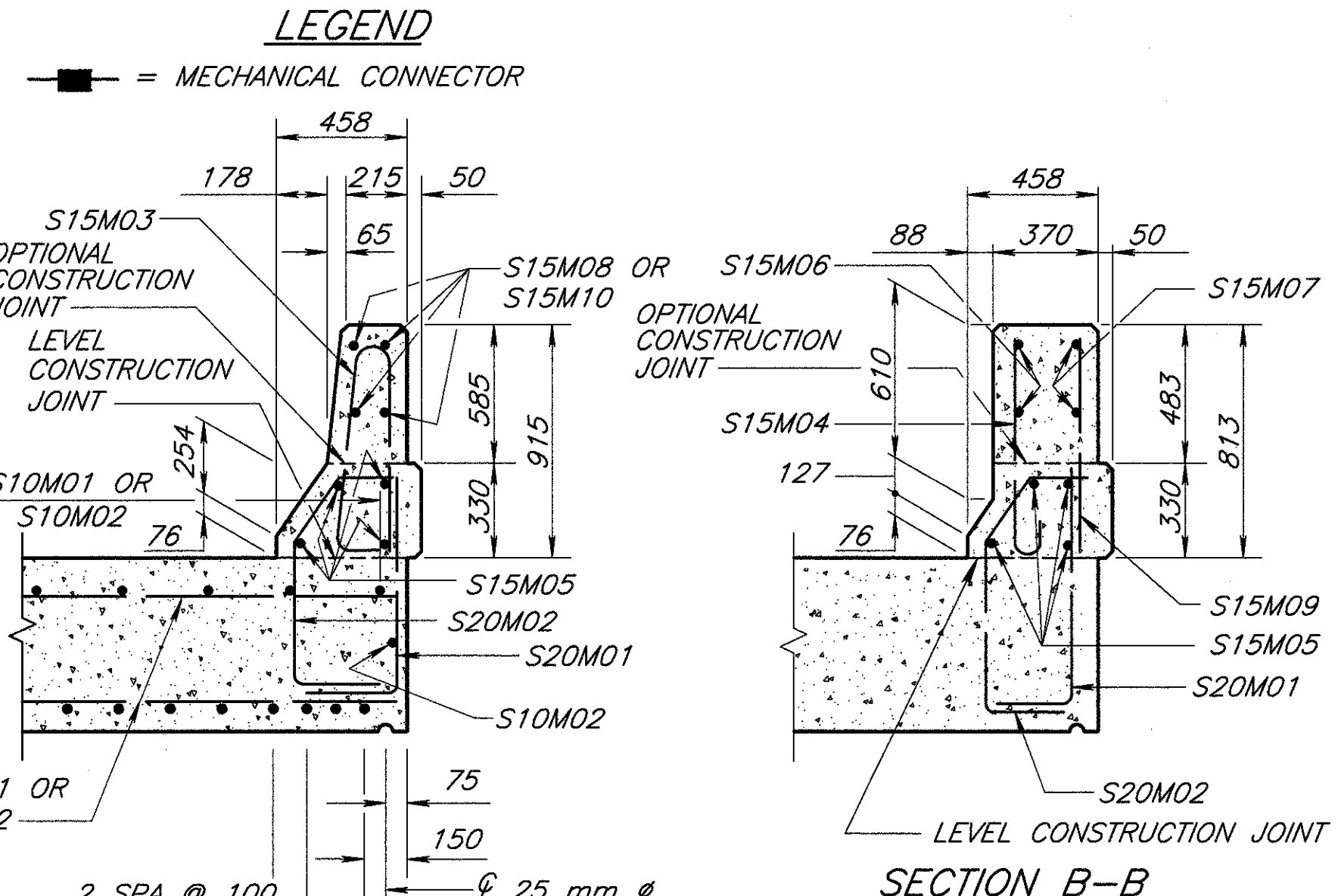


RIGHT PARAPET ELEVATION  
(LOOKING EAST)

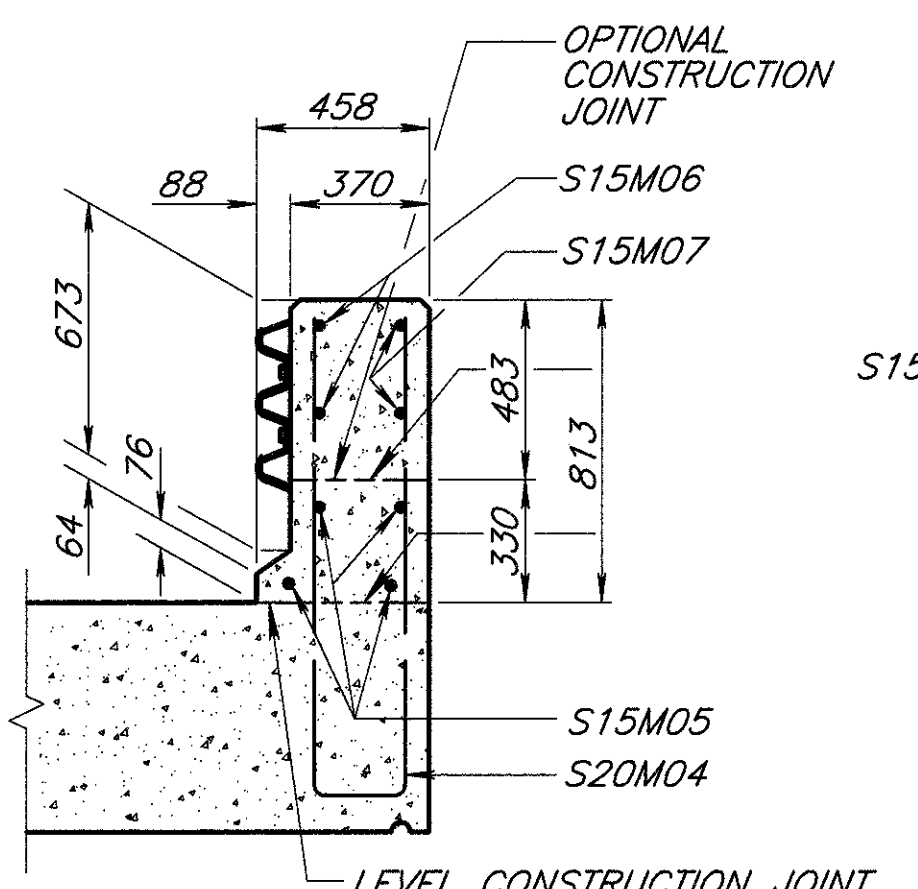


TRANSVERSE SECTION

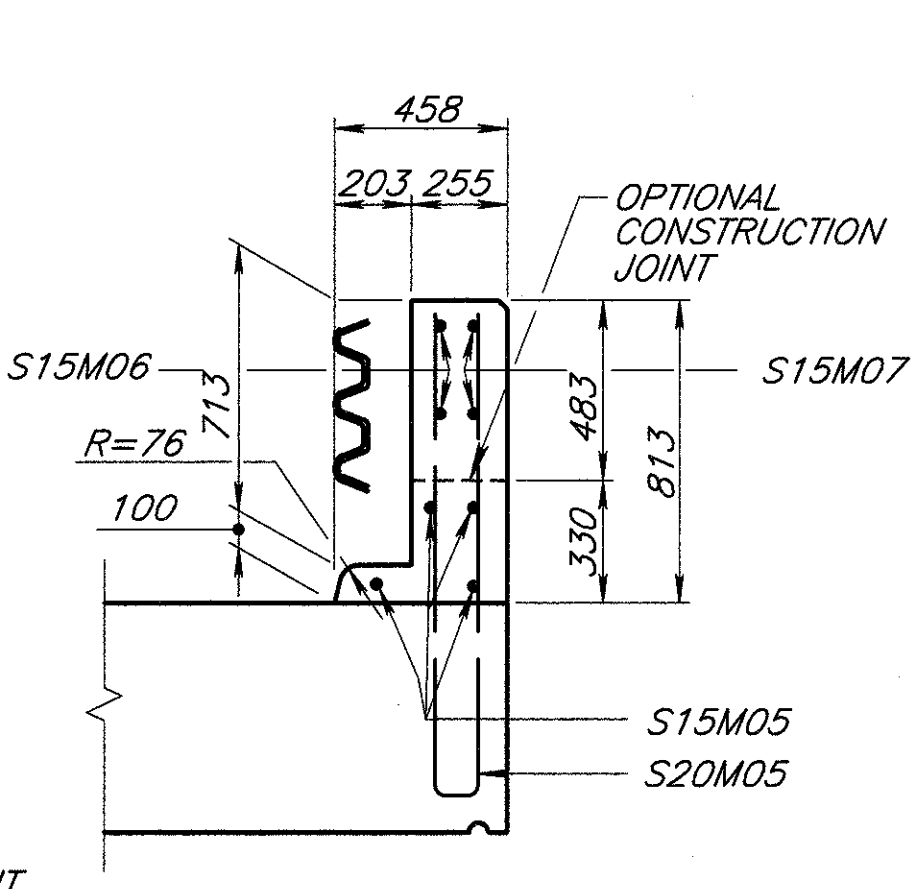
- NOTES**
- SCREED ELEVATIONS SHOWN ARE FOR THE DECK SLAB SURFACE. ALLOWANCE HAS BEEN MADE TO COMPENSATE FOR SLAB AND FALSEWORK DEFLECTIONS.
  - CONSTRUCTION JOINTS SHALL BE SEALED WITH HIGH MOLECULAR WEIGHT METHACRYLATE (HMWM) RESIN IN ACCORDANCE WITH PROPOSAL NOTE. RESIN SHALL BE 600 mm CENTERED ON THE CONSTRUCTION JOINT.
  - FOR ADDITIONAL NOTES AND DETAILS, SEE STANDARD DRAWING SB-06-94M.
  - FOR SECTION X-X, SEE SHEET 7 | 9.



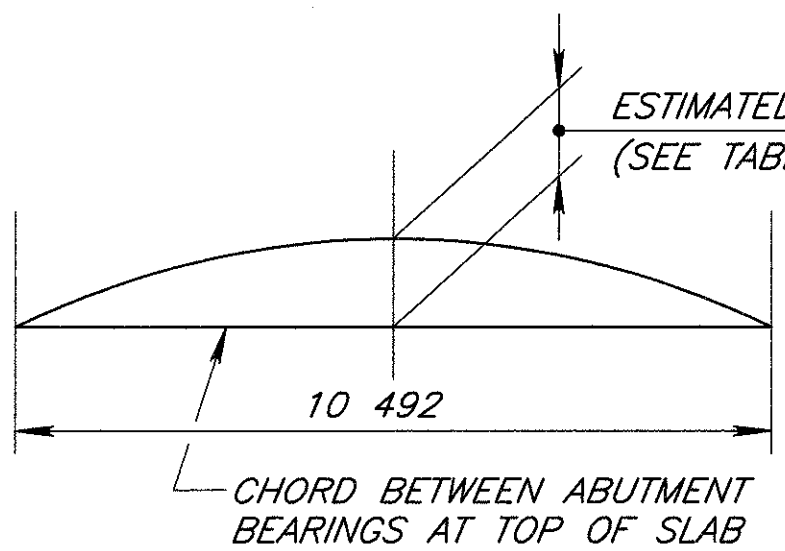
SECTION A-A



SECTION C-C



SECTION D-D



CAMBER DIAGRAM

	1/2 POINT	
	SLAB EDGE	MID-BRIDGE
SLAB DEFLECTION	18	18
FALSEWORK DEFLECTION	13	23
REQUIRED CAMBER	31	41



DESIGN AGENCY  
MCCOY ASSOCIATES, INC.  
367 GHENT ROAD, SUITE 1A  
AKRON, OHIO 44333

REVIEWED DATE  
JSK 12-31-96

DRAWN WEB  
CHECKED SAM

DESIGNED HK  
STRUCTURE FILE NUMBER  
4306139

SLAB PLAN AND TRANSVERSE SECTION  
BRIDGE NO. LAK-528-11024  
LAK-528-0685 (ENGLISH)  
OVER McMAKIN CREEK

LAK-528-11.024