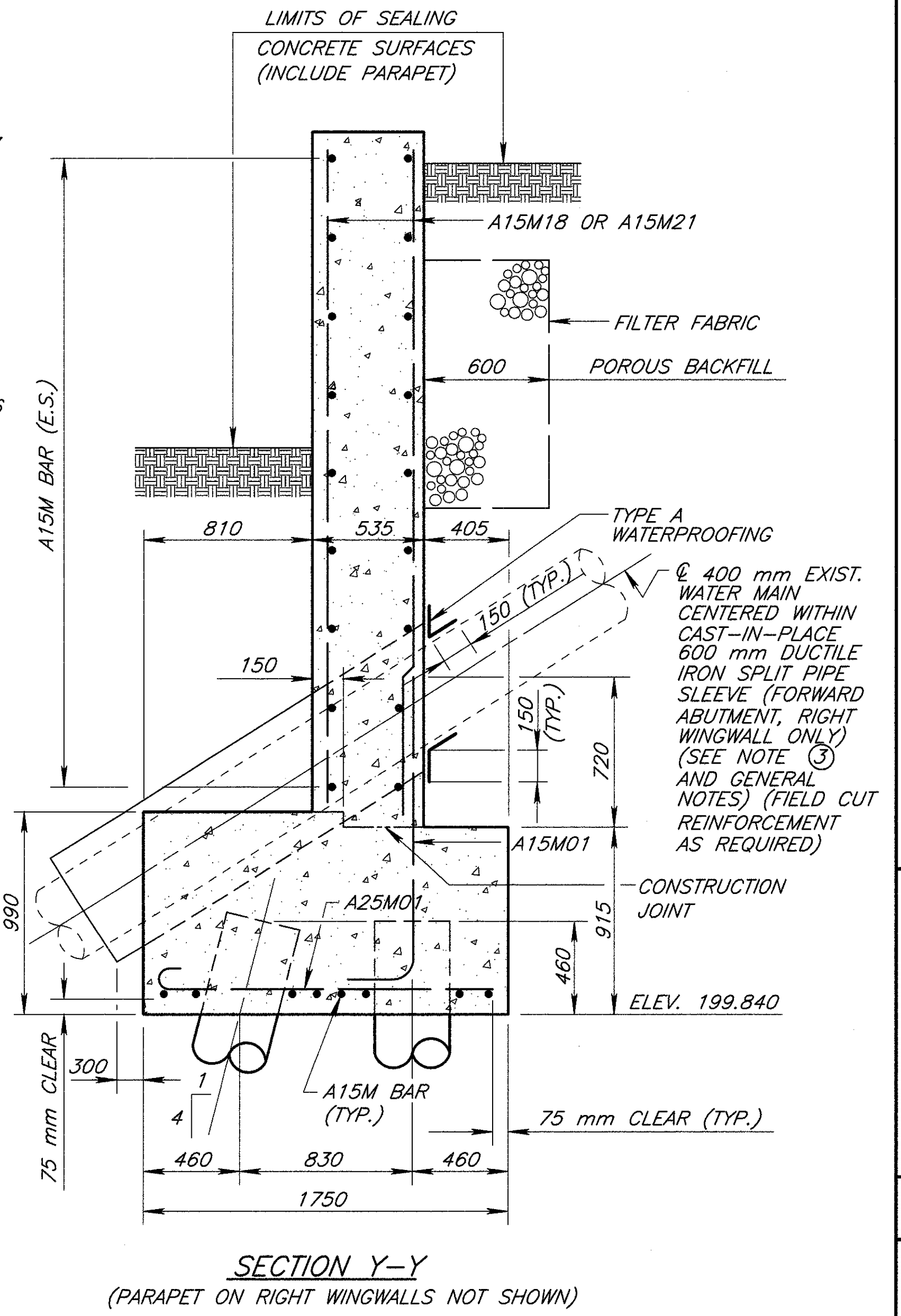
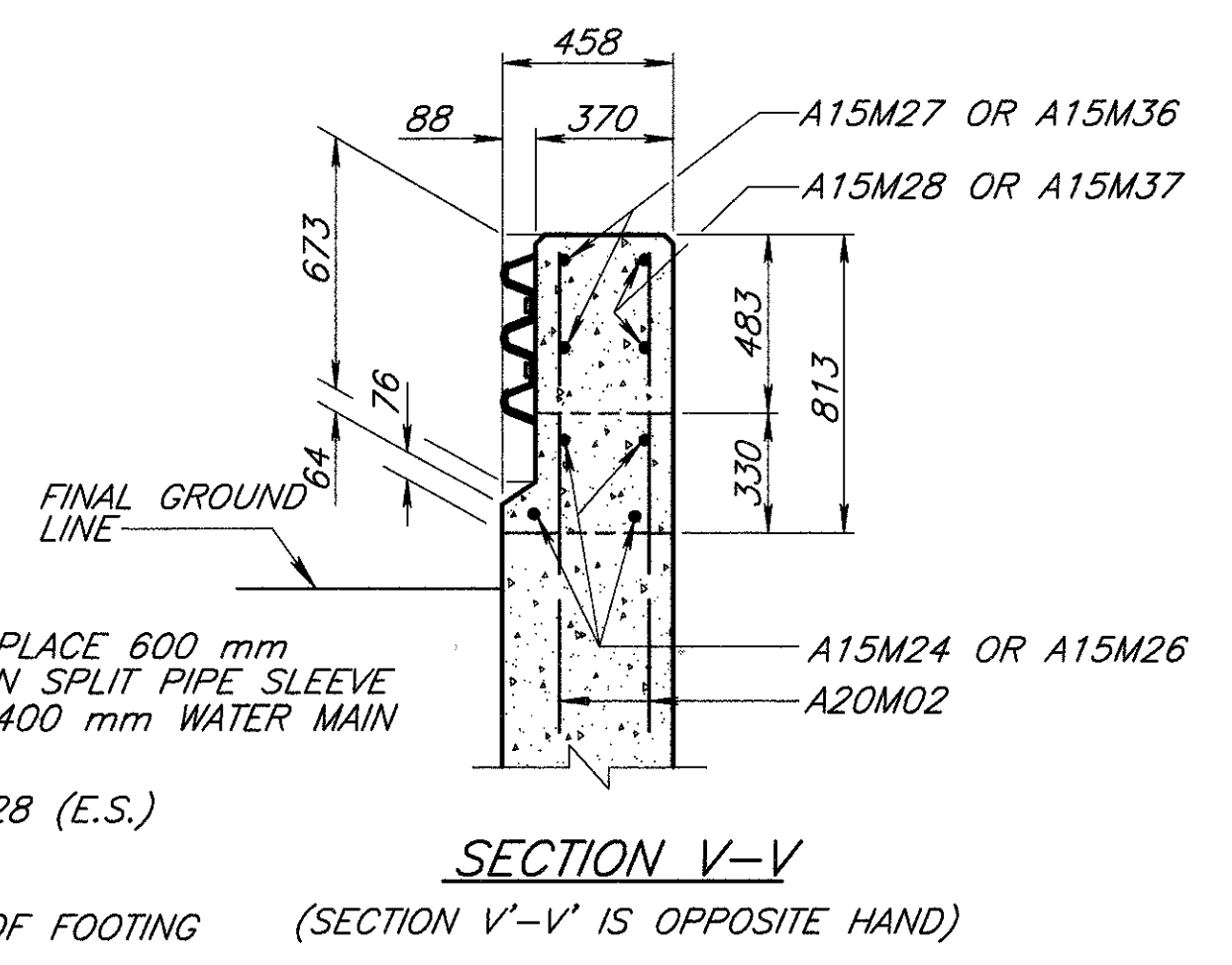
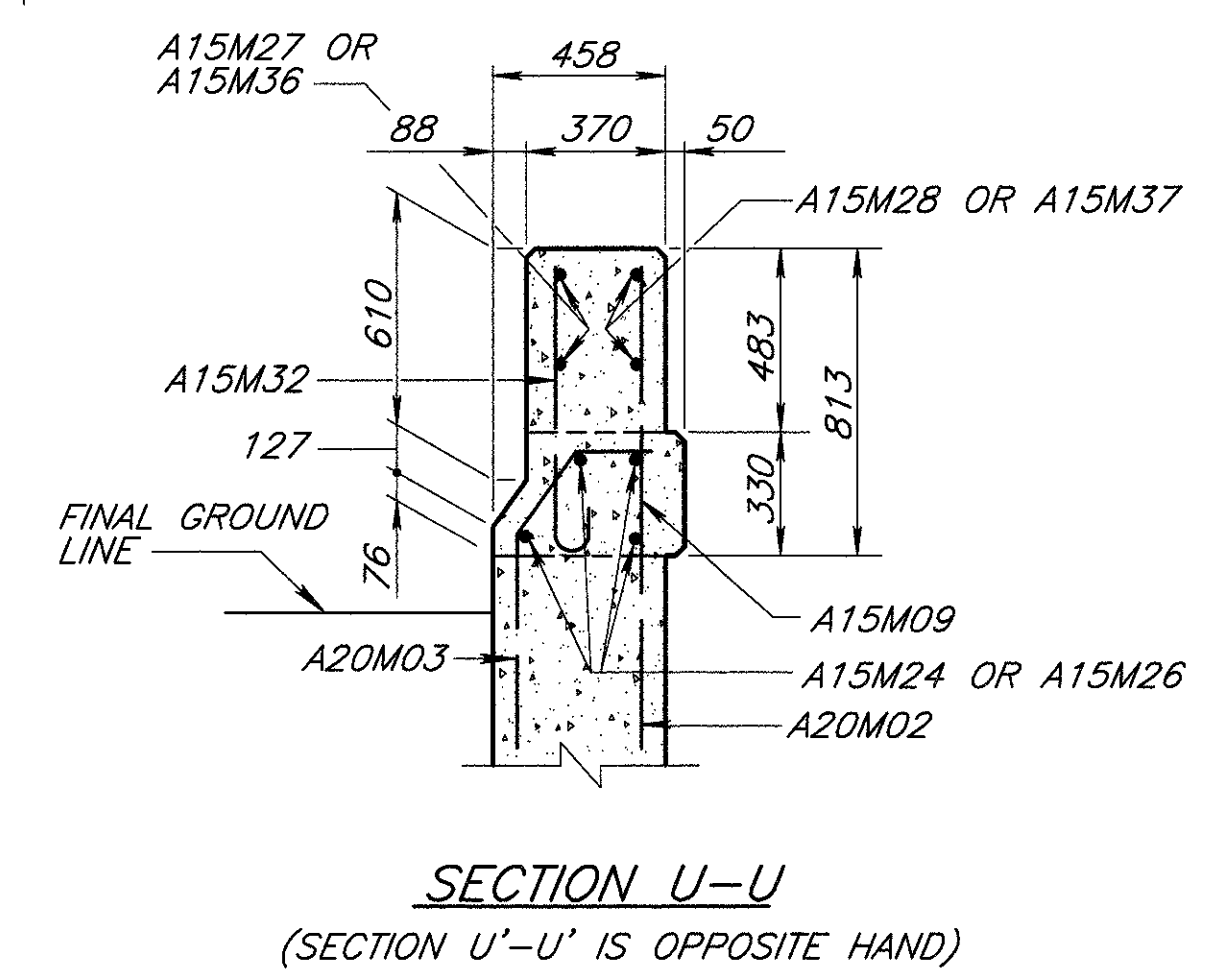
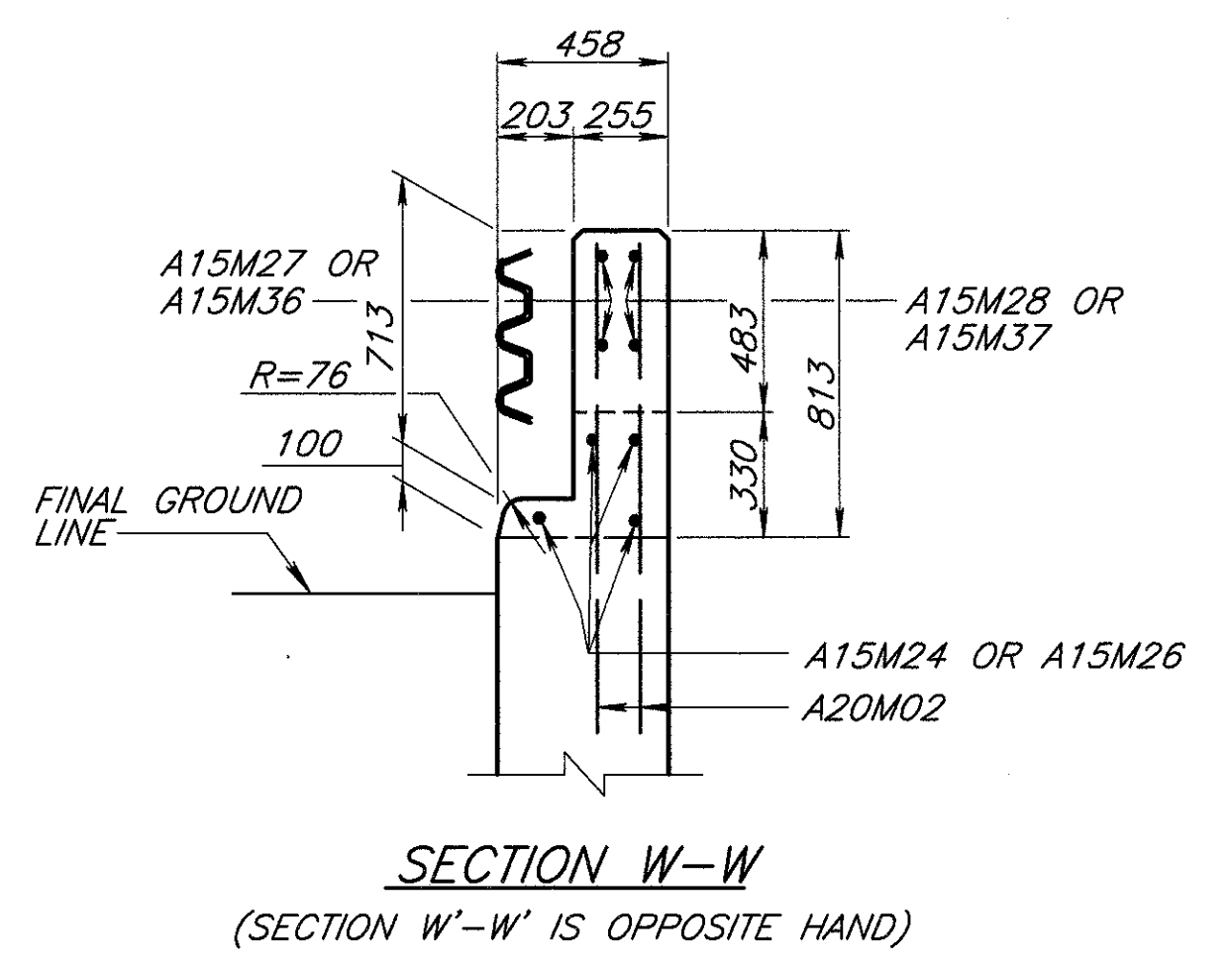
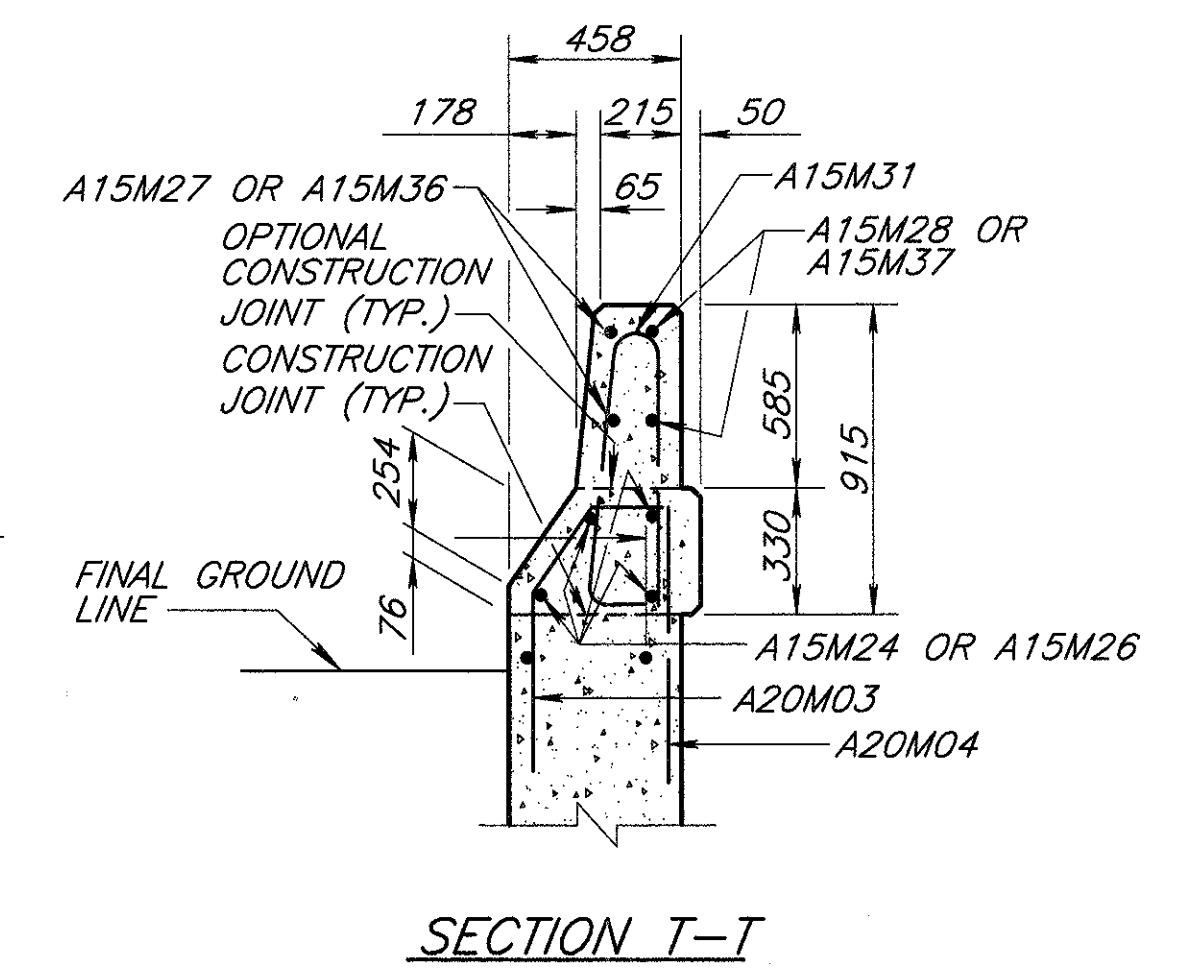
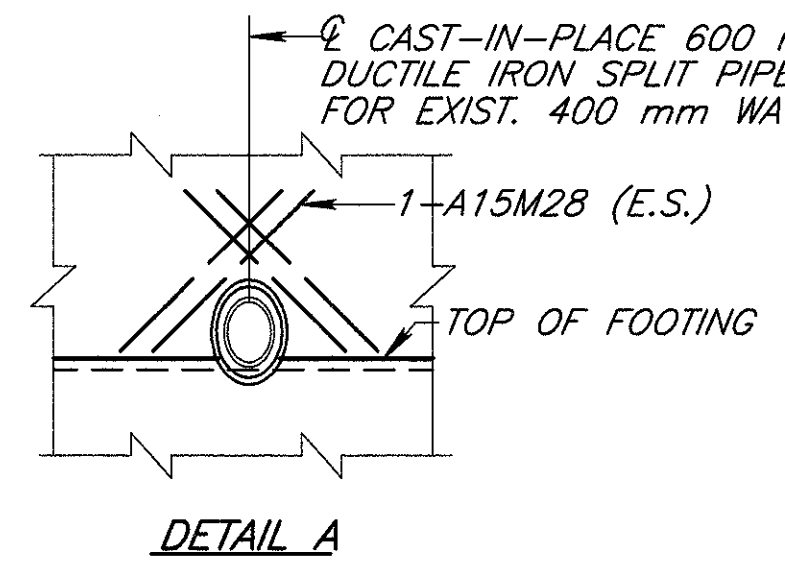
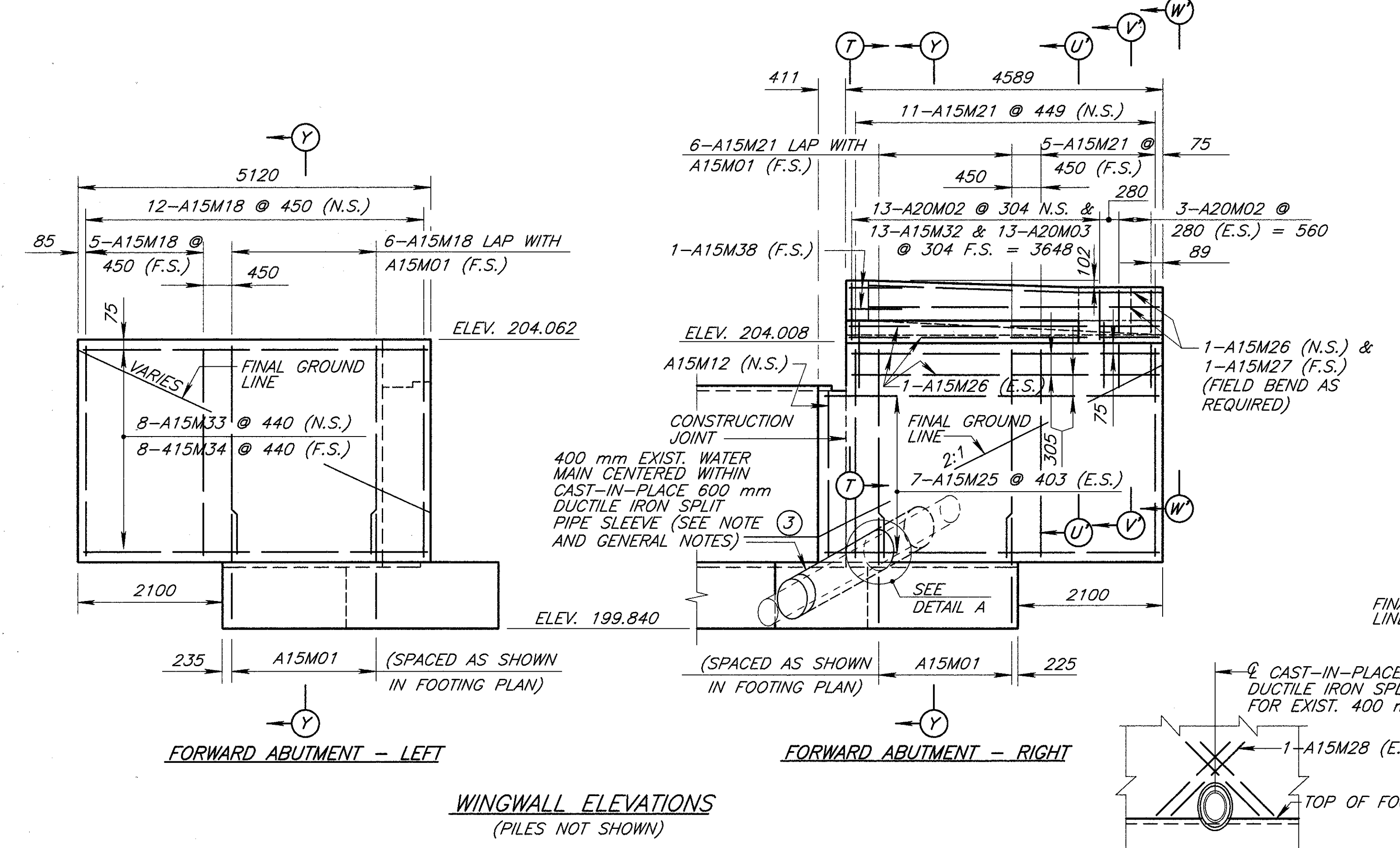
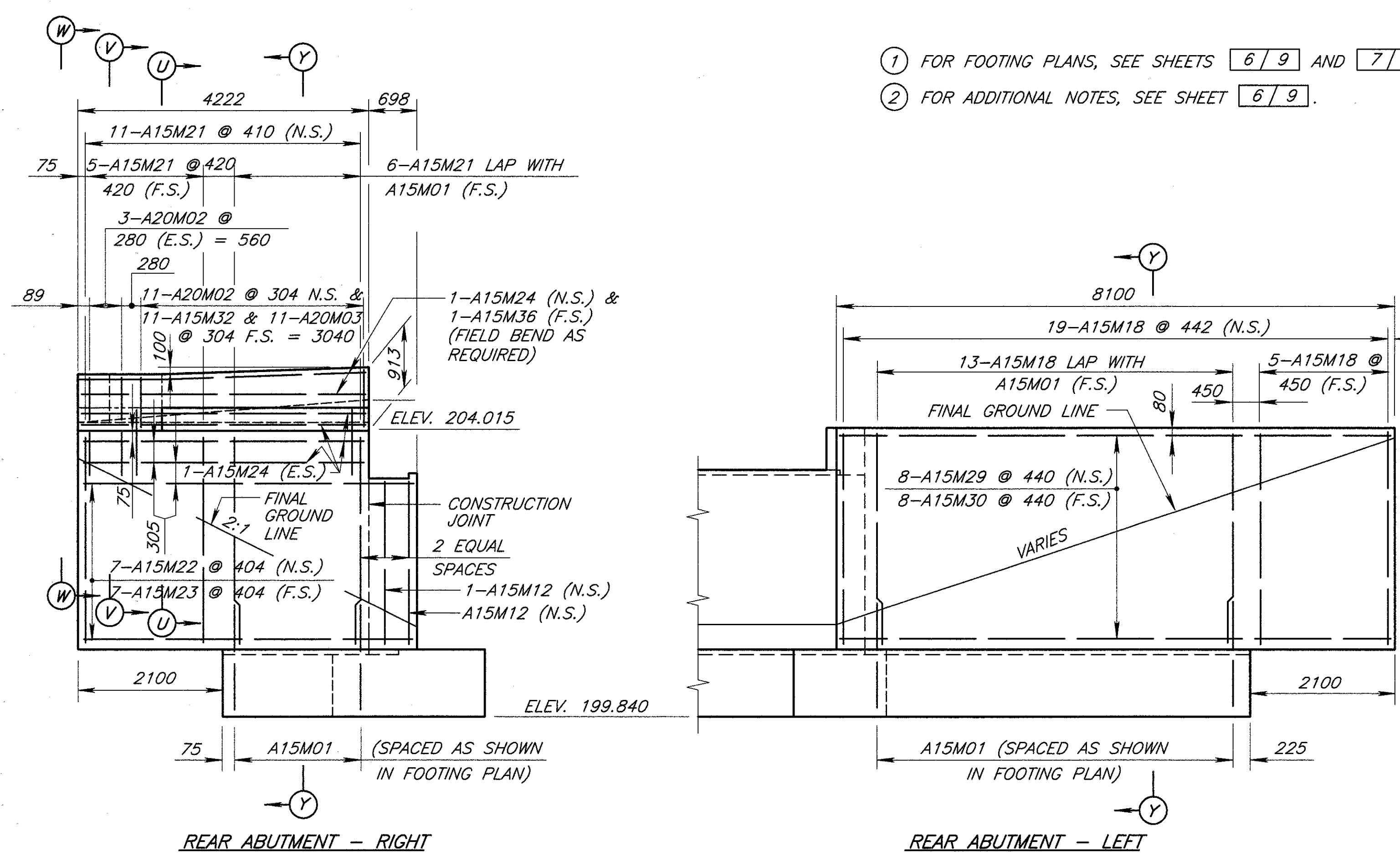


NOTES

- ① FOR FOOTING PLANS, SEE SHEETS 6/9 AND 7/9.
- ② FOR ADDITIONAL NOTES, SEE SHEET 6/9.
- ③ THE 600 mm SPLIT PIPE SLEEVE SHALL BE DUCTILE IRON, 10 mm THICK, 3400 mm LONG (ANSI CLASS 50). PIPE SLEEVE SHALL BE CLAMPED OR BOLTED CLOSED. TYPE A WATERPROOFING SHALL BE PLACED TO PROHIBIT THE LOSS OF POROUS BACKFILL THROUGH OPEN CAVITY. PAYMENT FOR ALL THE MATERIALS, EQUIPMENT AND LABOR NECESSARY TO INSTALL THE SPLIT PIPE SLEEVE SHALL BE CONSIDERED INCIDENTAL AND INCLUDED IN ITEM SPECIAL, HIGH PERFORMANCE CONCRETE, SUBSTRUCTURE.



WINGWALL ELEVATIONS
 (PILES NOT SHOWN)

FILE NAME: ABUTDET