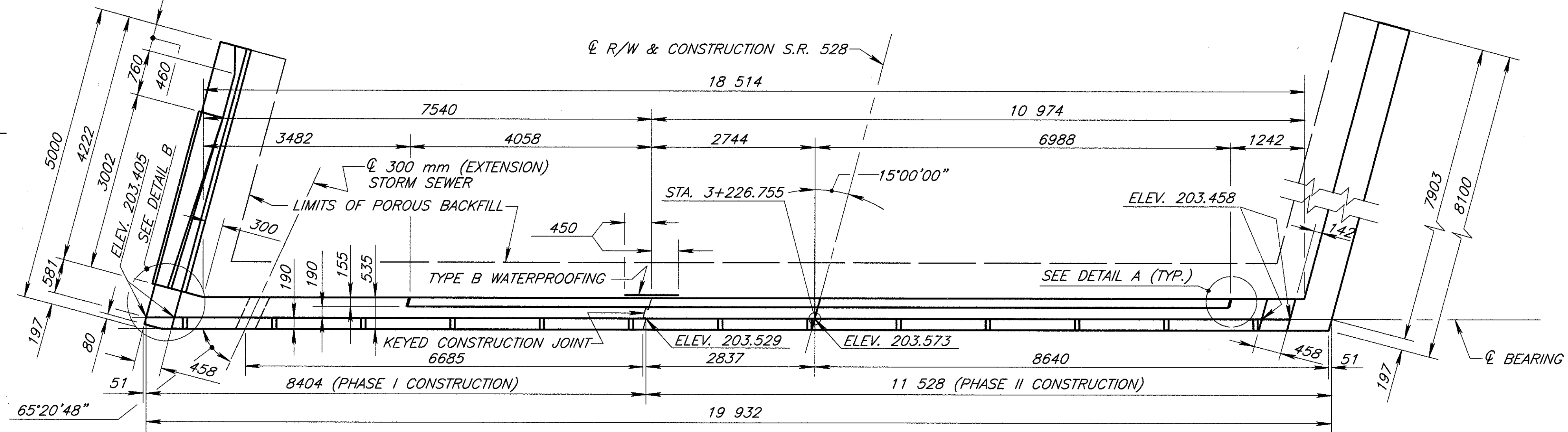
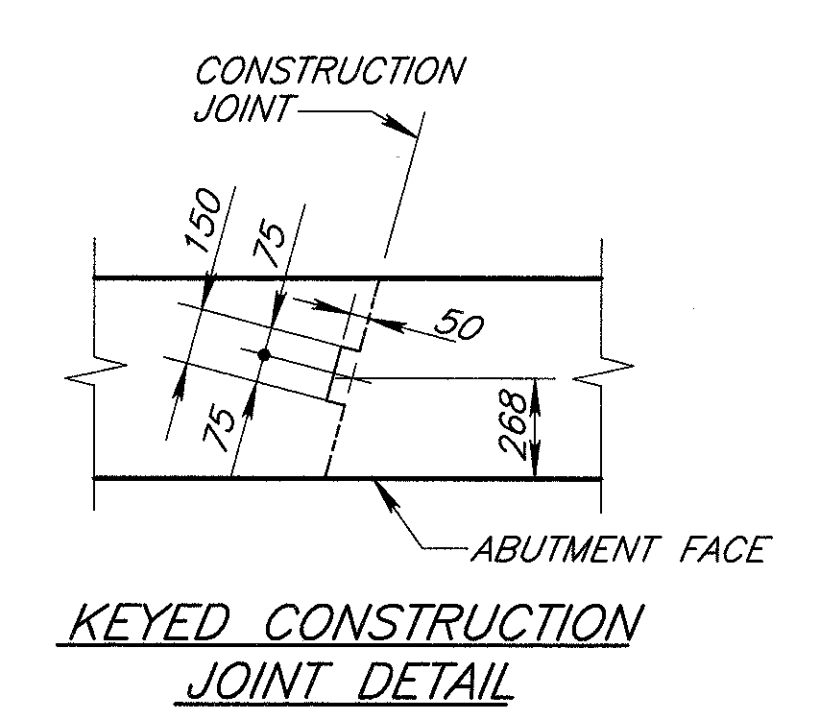
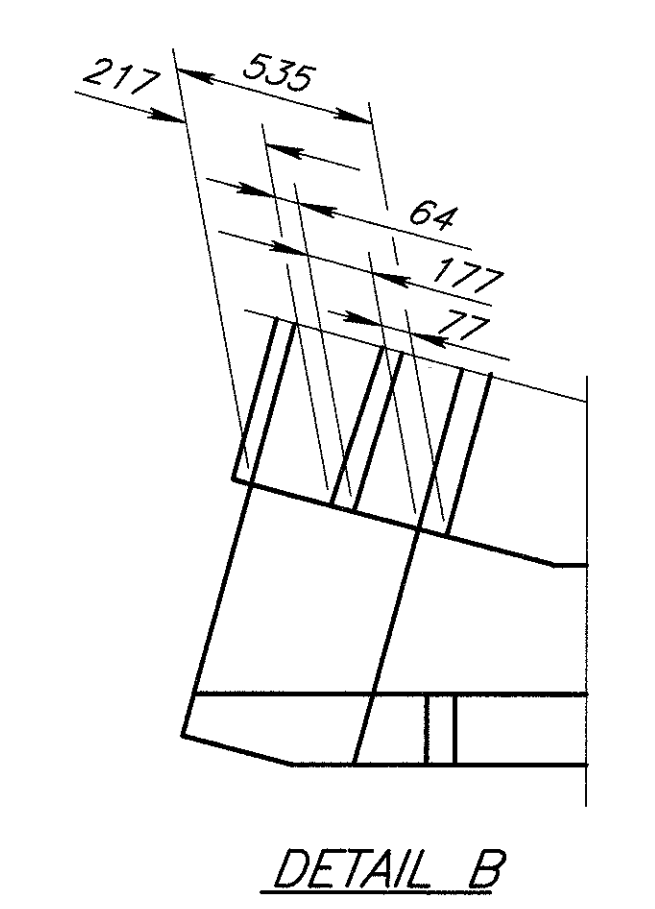
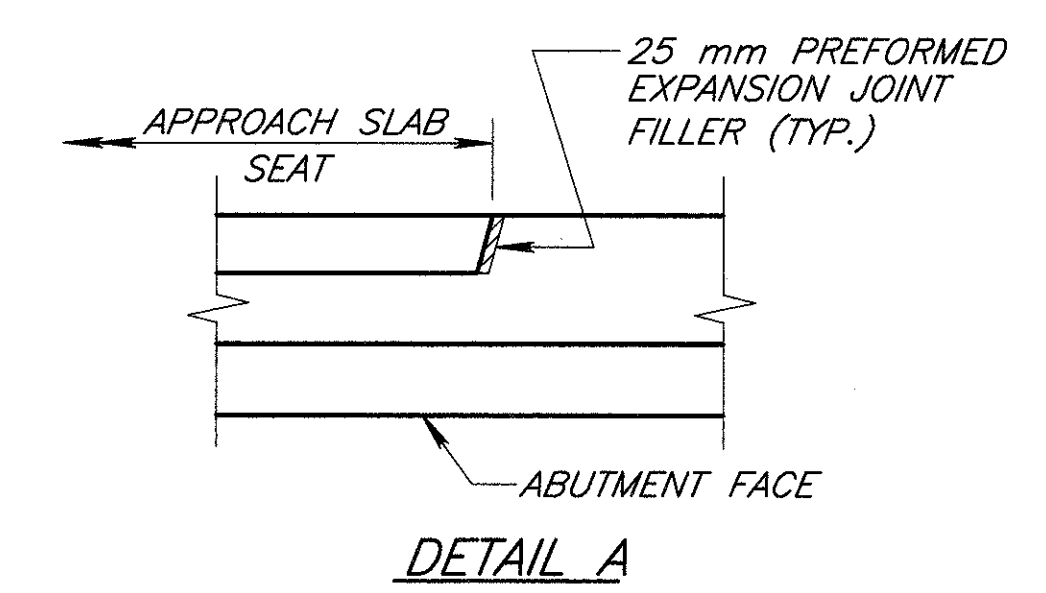


NOTES

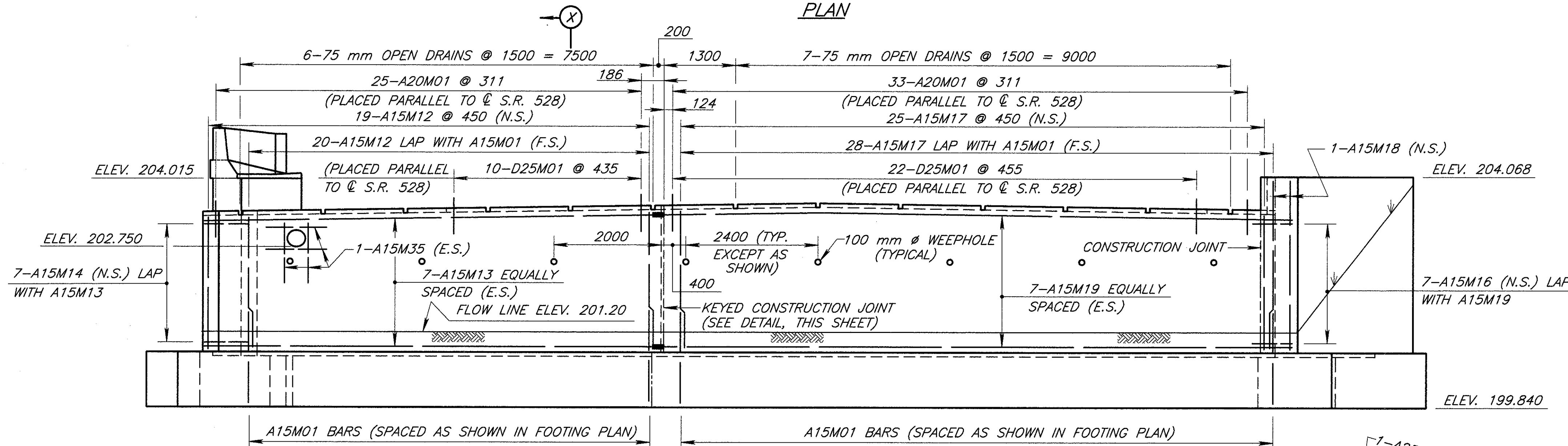
- FOR SECTION X-X, SEE SHEET 7/9.
- ALL PILES ARE 300 mm Ø CAST-IN-PLACE CONCRETE PILES.
- POROUS BACKFILL WITH FILTER FABRIC, 600 mm THICK SHALL EXTEND UP TO THE PLANE OF THE SUBGRADE, TO 300 mm BELOW THE EMBANKMENT SURFACE, AND Laterally TO THE ENDS OF THE WINGWALLS. 0.06 kg/m³ OF BAGGED NO. 3 AGGREGATE SHALL BE PLACED AT EACH WEEPHOLE. BAGGED AGGREGATE IS INCLUDED WITH POROUS BACKFILL FOR PAYMENT. BACKFILL SHALL NOT BE PLACED HIGHER THAN ONE-THIRD THE ABUTMENT HEIGHT PRIOR TO PLACING THE DECK SLAB.
- TYPE A WATERPROOFING SHALL BE INCLUDED WITH ITEM 611, REINFORCED CONCRETE APPROACH SLAB, FOR PAYMENT.
- FOR WINGWALL DETAILS AND SECTION Y-Y, SEE SHEET 8/9.

LEGEND

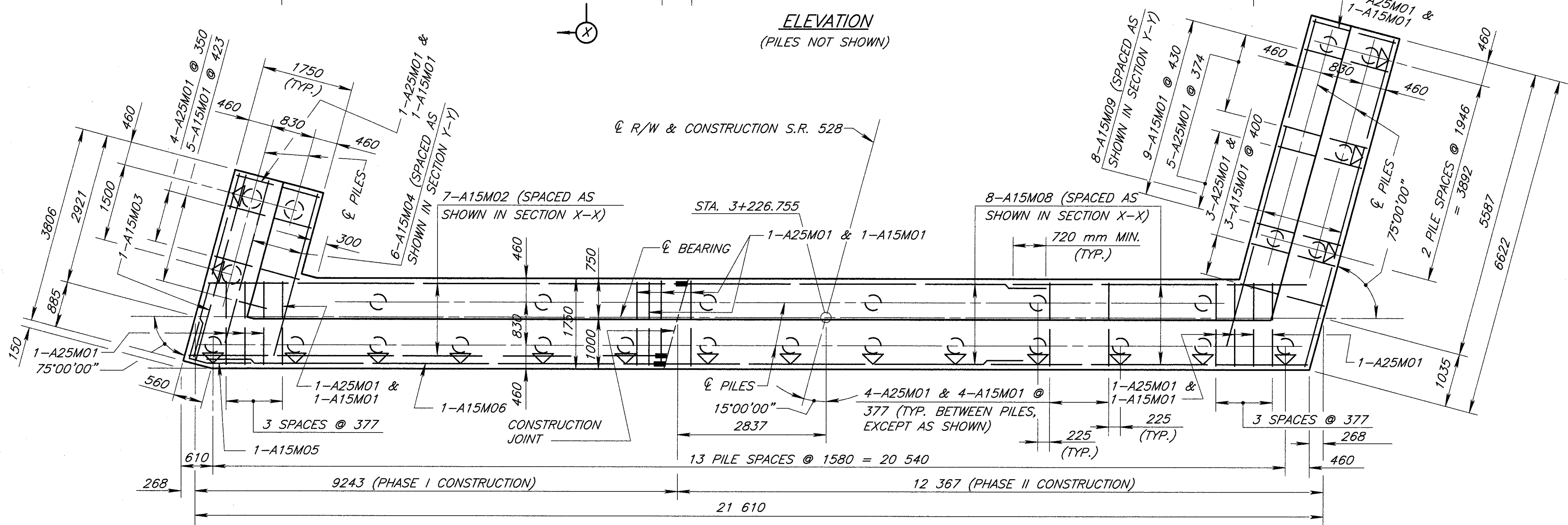
- = MECHANICAL CONNECTOR, LENGTH = 860 mm MIN. SEE NOTE, SHEET 3/9
- ⊙ = DENOTES BATTERED PILE (4:1)



PLAN



ELEVATION
(PILES NOT SHOWN)



FOOTING PLAN

FILE NAME: REARABUT