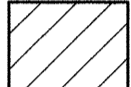
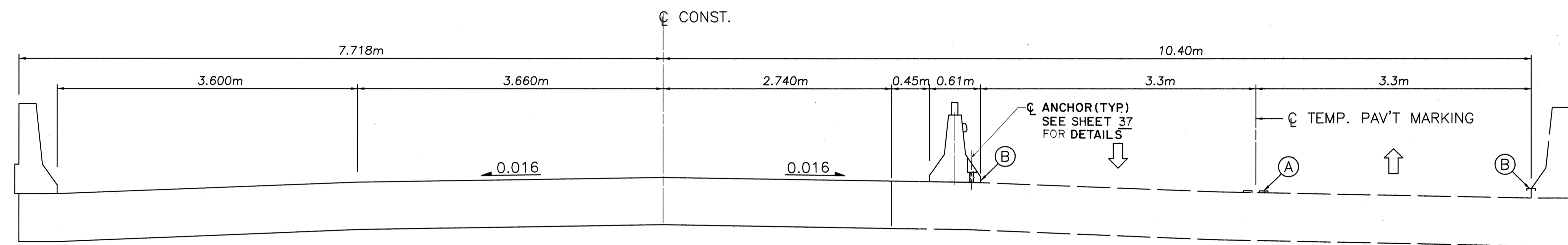
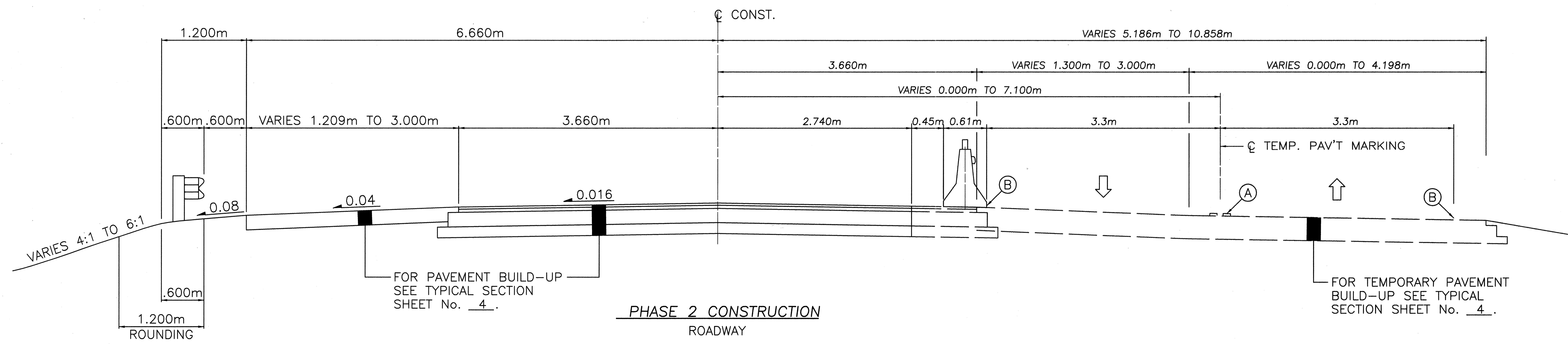


PHASE 2 REMOVAL
STRUCTURE

- LEGEND**
-  DENOTES AREA TO BE REMOVED
 - (A) TEMP. CENTER LINE, DOUBLE SOLID
 - (B) TEMP. EDGE LINE, (100mm WHITE)



PHASE 2 CONSTRUCTION
STRUCTURE



PHASE 2 CONSTRUCTION
ROADWAY

File Name: 96010 MYB
DATE: 3-25-98 PS
PLOT: 1 - 30